



RusAutomation

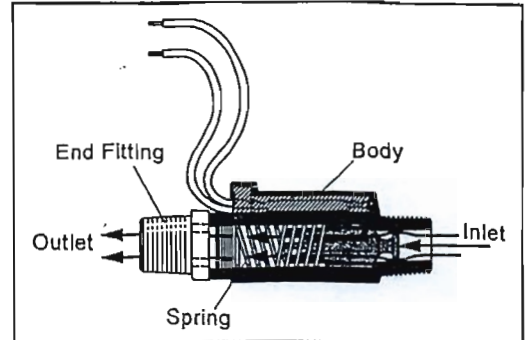
# In-Line Flow Switches P8 Models



### Installation

All NPT threads should be installed using a suitable thread sealant (Teflon tape or Permatex "No more Leaks"). Sealant must be kept out of unit during installation. Ten diameters of straight run piping are recommended upstream and downstream of the flow sensor.

The P8 end fitting is threaded to the body at assembly and torqued to 25 Ft. Lbs. If disassembly from a system is required, it is advisable to hold the end fitting hex with a wrench to prevent sensor disassembly. If the sensor should become disassembled as a result of uninstalling, retorque the end fitting to 25 Ft. Lbs.

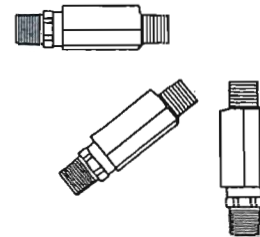


### Specifications

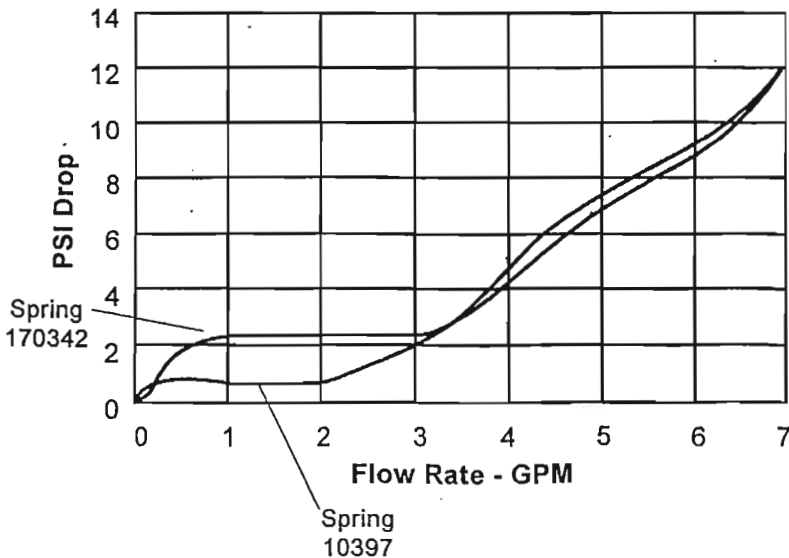
<b>Wetted Materials</b>	
Housing	Brass or Stainless Steel
Piston	PPS Composite
Spring	.316 Stainless Steel
O-Ring	Fluorocarbon
Oper. Pressure, Max.	1500 PSI
Operating Temperature	-20°F to +275°F (120°C), (-28.8°C to +135°C)
Required Filtration	100 Micron or Better
Set Point Accuracy	±20%, Maximum
Set Point Differential	20% Maximum
Switch, See "Switch Ratings"	SPST, 20 VA
Inlet / Outlet	3/8" NPT Male
Electrical Termination	No. 22 AWG, 24" to 26" Polymeric Leads

### P8 Flow Switches Can be Mounted In Various Positions

Flow settings are based on a vertical position (inlet port down), using water at +70°F on increasing flow. Some variation in set point actuation will occur in other mounting orientations.



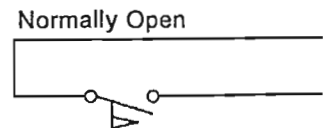
Pressure Drop - Typical



Switch Ratings  
Max. Resistive Load

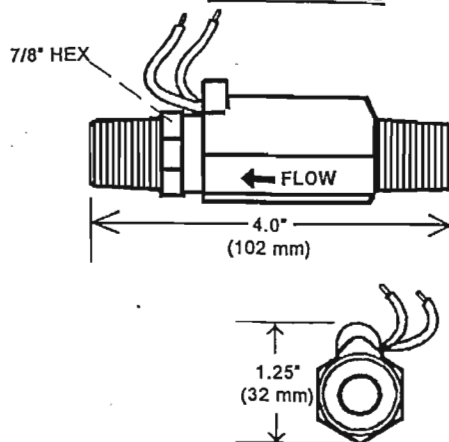
VA	Volts	Amps AC	Amps DC
20	0-30	.4	.3
	120	.17	.13
	240	.08	.06

### Wiring Diagram

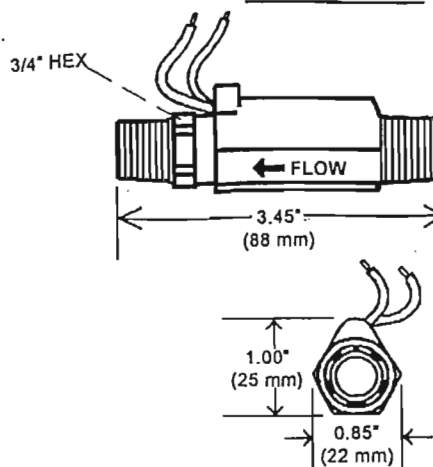


## Dimensions

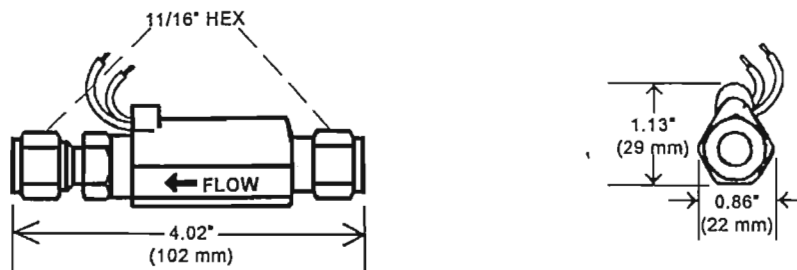
### 1/2" NPT Ports



### 3/8" NPT Ports



### 3/8" Tube End Compression Fitting



### Maintenance/Repair

Regular maintenance of the total system is recommended to assure sustained optimum performance. These devices are not field repairable and should be returned to the factory if recalibration or other service is required. After first obtaining a Returned Goods Authorization (RGA) number, send the unit freight prepaid to the following. Please include a clear description of the problem plus any application information available.

Dwyer Instruments, Inc.  
Attn: Repair Department  
102 Highway 212  
Michigan City, IN 46360

### Important Points!

Product must be maintained and installed in strict accordance with the National Electrical Code and Dwyer product catalog and instruction bulletin. Failure to observe this warning could result in serious injuries or damages.

For hazardous area applications involving such things as (but not limited to) ignitable mixtures, combustible dust and flammable materials, use an appropriate explosion-proof enclosure or intrinsically safe interface device.

The pressure and temperature limitations shown on the individual catalog pages and drawings for the specified flow switches must not be exceeded. These pressures and temperatures take into consideration possible system surge pressures/temperatures and their frequencies.

Selection of materials for compatibility with the media is critical to the life and operation of Dwyer products. Take care in the proper selection of materials of construction, particularly wetted materials.

Life expectancy of switch contacts varies with applications. Contact Dwyer if life cycle testing is required.

Ambient temperature changes do affect switch set points, since the specific gravity of a liquid can vary with temperature.

Dwyer Products have been designed to resist shock and vibration; however, shock and vibration should be minimized.

Filter liquid media containing particulate and/or debris to ensure the proper operation of our products.

Electrical entries and mounting points in an enclosed tank may require liquid/vapor sealing.

Dwyer Products must not be field-repaired.

Physical damage sustained by the product may render it unserviceable.