

Compact and lightweight horn speaker electronic sander High sound quality, High volume



Terminal block series

MSP-TP Panel mounting type

MSP-TB External fixation type

- > Easy wiring with crimp terminal application
- > Front IP65 protective structure (MSP-TP type)
- > Possible volume level control
- > Sound type: 3 Channel (melody type, siren-type)

Lead wiring series

MSP-LP Panel mounting type

MSP-LB External fixation type

- > Back side-lead wire type
- > IP65 protective structure – available to install outdoor
- > Sound Built-in type: 3 Channel (Melody type, siren-type)

User manual

For the proper and safe use of this product, please read and fully understand this manual before use.

Instructions for safety

※ "Instruction for safety is made to prevent accidents or risks in advance by using the product safely and correctly and be sure to observe it.

※ Instructions are divided into two categories as "Warning" and "Attention" and they are as follows.

Warning If instruction is violated, there is the possibility of serious injury or death.

Attention If instruction is violated, there is possibility of minor injury or damage on the product.

※ The meaning of the picture symbols used in the product and User manual are as follows.

Warning is the sign meaning attention needs to be paid because there is the concern of risk occurrence under certain condition.

Warning

- In case it is used for the machines which make greater impact on life or property (e.g. nuclear power control, medical equipment, railroad car, aerospace, combustion equipment, recreation equipment, etc. or safety devices), make sure to attach safety device bifariously before use.
There is the possibility of causing huge losses resulted from fire, personal injury and property damage.
- Do not disassemble and renovate the product. Please contact the head office or regional office for internal inspection or repair.
There is the risk of causing fire, electrical shock and product damage.
- Do not connect wire, check, or repair when the power is applied.
There is a risk of electric shock.
- Do not connect AC power to DC product. There is a risk of product damage.
- Do not use close to the ears. There is a risk of hearing loss.

Attention

- Do not use it outdoors while the rear of speakers are exposed.(MSP-T series)
There is a risk of electric shock and product damage.
- In case abnormality happens to the product, unplug the input power connection immediately.
There is a risk of fire or product damage.
- Do not use in places with severe vibration. There is the danger of product damage.
- When cleaning, do not use water, organic solvent and clean with towel without moisture. There is the danger of electric shock or fire.

MSP-T Series

MSP-TP type

MSP-TB type



MSP-L Series

MSP-LP type

MSP-LB type



Model Configuration

MSP-TPM-02(B)

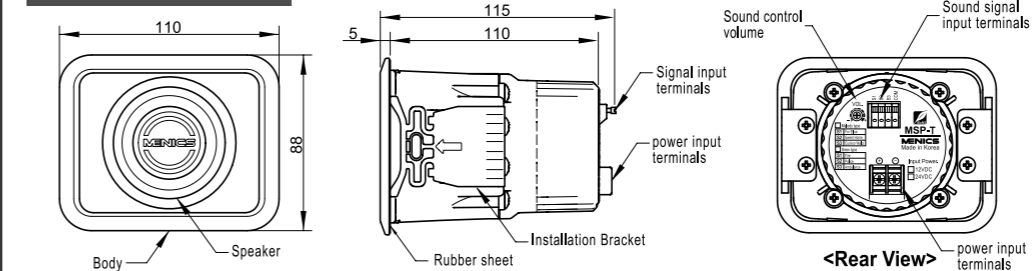
① Series	② Mounting type	③ Sound type
MSP-T Terminal block type	P Panel type	M Melody 3 channel
MSP-L Lead wiring type	B Bracket type	S Siren 3 channel
④ Power supply	⑤ Body colors	
01 12VDC	No display Ivory	
02 24VDC	(B) Black	
FF 100~240VAC	(R) Red	
	(P) Nickel plated	

Rating / Performance

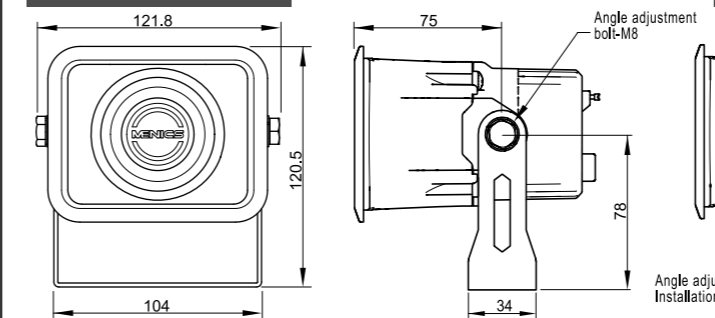
Series	MSP-T	MSP-L
Power supply	12VDC, 24VDC, 100~220VAC (50/60Hz)	
Allowable voltage range	12VDC±5%, 24VDC±10%, 100~240VAC±10%	
Current consumption (±10%)	12VDC: Melody type: 0.22A 24VDC: Melody type: 0.12A 100~240VAC: Melody type: 0.13A	Siren type: 0.8A Siren type: 0.4A Siren type: 0.13A
Maximum volume(at 1M)	Melody type: 100±5dB, Siren type: 105±5dB, High volume siren type: 110±5dB	
Number of channels	Sound Types: 3 channels	
Sound type	Melody type: For Elise, Sweet Home, Cuckoo Waltz Siren type: Fire trucks, police cars, ambulance	
Volume control	Yes (internal volume control)	none
Volume range	DC type 70~100±5dB (1m) AC type 50~100±5dB (1m)	none
Color	Body - Ivory/Black/Red/Nickel plated, Horn speaker - black	
Material	Body - ABS, Rubbers - NBR	
Insulation resistance	Over 100MΩ (500VDC mega between terminals and case)	
Withstand voltage	500VAC 50 / 60Hz 1 min (between terminals and case before)	
Vibration resistance	0.75mm at 10~55Hz (cycle: 1 minute)	
Temperature	Ambient temperature: -20 ~ 50°C Storage ambient temperature: -20 ~ 65°C	
Ambient humidity	45~85% RH	
Protection structure	IP65 (Front panel)	IP65
Wire size	-	2464UL/22AWG, 6P, 450mm
Power input terminal screw tightening torques	0.4 ~ 0.6N.m	
Panel tightening screw fastening torque	0.7 ~ 0.8N.m	M8 Bolt: 5 ~ 6N.m
Approval	RoHS	
Weight	App. 436g (MSP-TP type)	App. 588g (MSP-LB type)

External dimension and part name (Unit:mm)

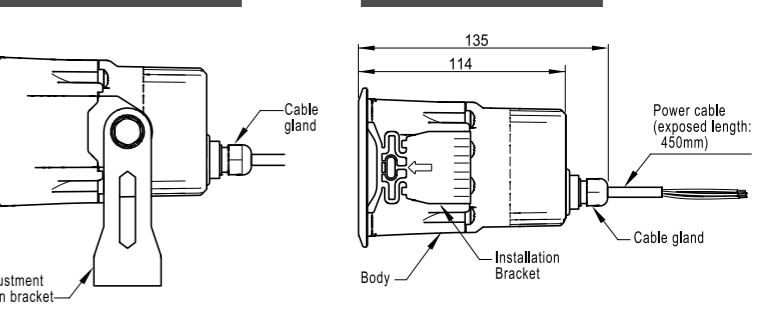
MSP-TP type



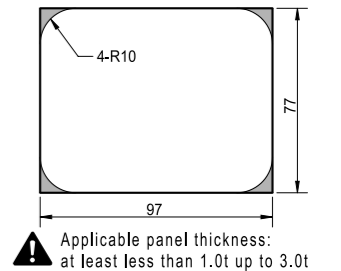
MSP-TB type



MSP-LB type

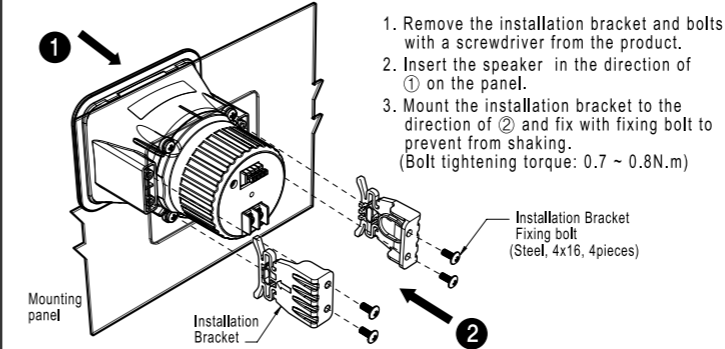


Panel cutout dimensions

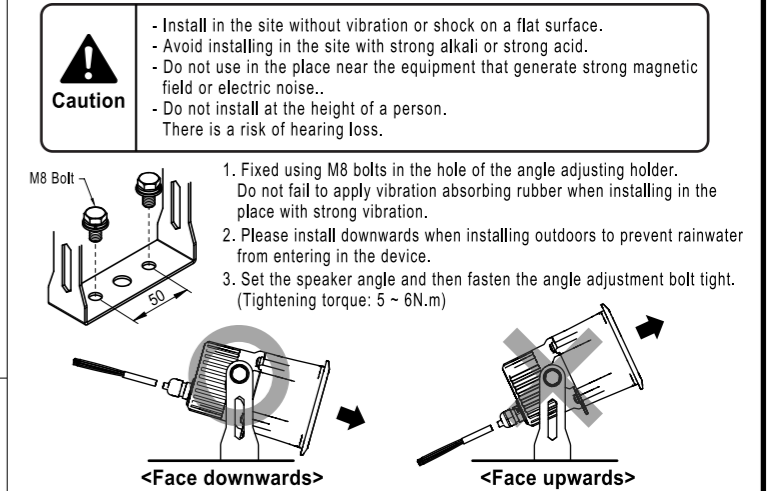


Applicable panel thickness: at least less than 1.0t up to 3.0t

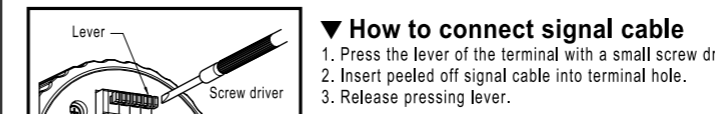
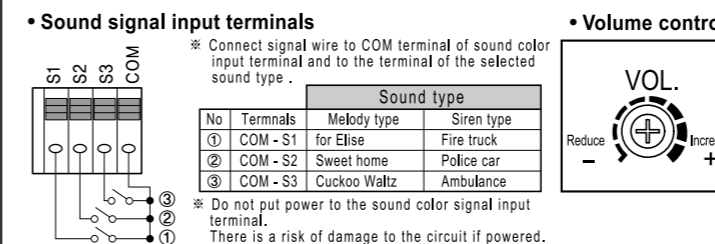
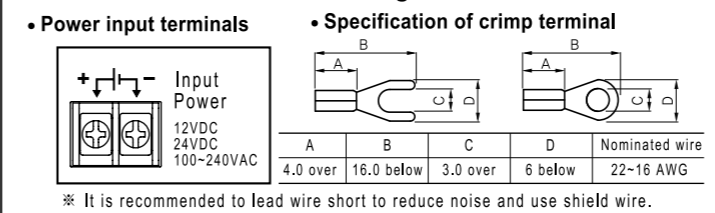
MSP-TP, MSP-LP type How to install panel



MSP-TB, MSP-LB type How to install



MSP-T series Connection diagram

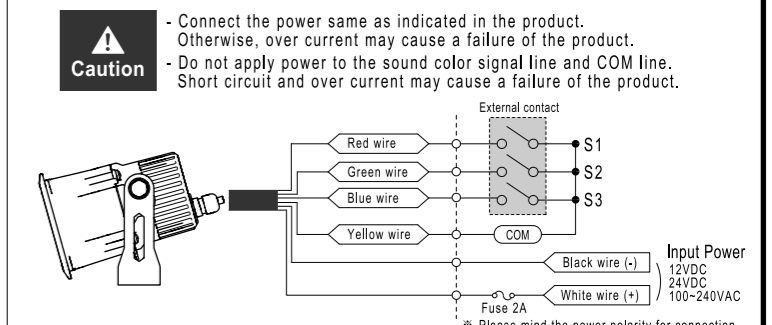


Caution
Keep the length of peeled off signal cable. If the length of peeled off signal cable is too short, there is a risk of malfunction due to connection error and if too long, it may cause electric shock or short circuit. Do not pull out signal cable to remove. There is a risk of damage to the terminal. Do not fail to remove by handling the lever of the terminal.

Accessories

Each two bolts and nuts to fix M8 are packaged.

MSP-L series Wiring Diagram



Caution
Connect external fuse between the product and the power supply to protect internal circuitry. Siren type: 2A Melody type: 0.5A
Please isolate the signal line that is not in use. There is a risk of electric shock.