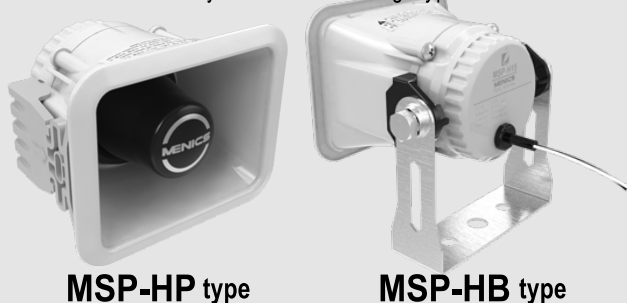


MSP-HP Panel mounting type

MSP-HB External Fixation Type

- > 15W output, 108dB Horn Speaker
- > Front speaker unit IP65 protection structure (MSP-HP type)
- > Front projection after fixing(MSP-HP type): 5mm
- > Three colors: Ivory/Black/Red/Plating Type



MSP-HP type

MSP-HB type

User manual

Thank you for purchasing Menics product.
For the proper and safe use of this product, please read and fully understand this manual before use.

Instructions for safety

- * Instruction for safety is made to prevent accidents or risks in advance by using the product safely and correctly and be sure to observe it.
- * Instructions are divided into two categories as "Warning" and "Attention" and they are as follows.

Warning If instruction is violated, there is the possibility of serious injury or death.

Attention If instruction is violated, there is possibility of minor injury or damage on the product.

- * The meaning of the picture symbols used in the product and User manual are as follows.

Warning is the sign meaning attention needs to be paid because there is the concern of risk occurrence under certain condition.

Warning

- In case it is used for the machines which make greater impact on life or property (e.g. nuclear power control, medical equipment, railroad car, aerospace, combustion equipment, recreation equipment, etc. or safety devices), make sure to attach safety device bifariously before use.
There is the possibility of causing huge losses resulted from fire, personal injury and property damage.
- Do not disassemble and renovate the product. Please contact the head office or regional office for internal inspection or repair.
There is the danger of product damage.
- Do not use close to the ears. There is a risk of hearing loss.

Attention

- Do not use it outdoors while the rear of speakers are exposed.
There is a risk of product damage.
- In case abnormality happens to the product, unplug the control equipment connection immediately. There is the danger of product damage.
- Do not use in places with severe vibration. There is the danger of product damage.

Model Configuration

MSP-HP15(B)

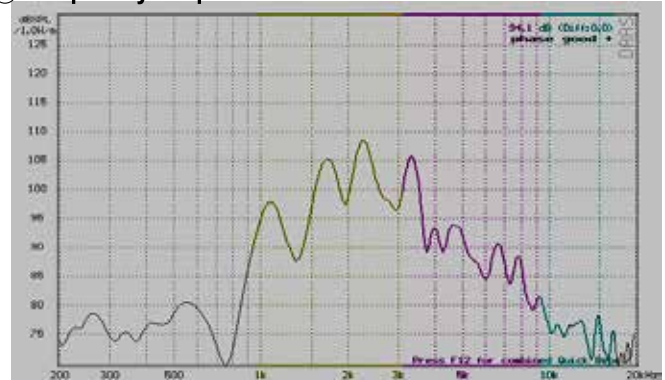
	Mounting
P15	Panel type
B15	Bracket Type

	Body color
No mark	Ivory
(B)	Black
(R)	Red
(P)	Nickel Coating

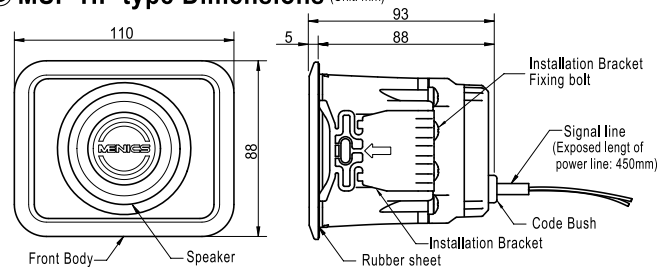
Performance

Maximum rated input	15W
Impedance	6 Ohm
Frequency band	1000-4000Hz
Maximum Sound Volume	108dB (1M)
Material	Body - ABS resin , Rubbers - NBR
Color	Body- Ivory / Black / Red / Nickel plated , Horn speaker - black
Ambient temperature	-20 ~ 50°C
Storage ambient temperature	-20 ~ 65°C
Operating humidity	35~85% RH
Vibration	0.75mm at 10~55Hz (cycle: 1 minute)
Protection structure	MSP-HP type: IP65 (front panel) , MSP-HB type: IP60
Wire size	2464UL/22AWG , 2P , 450mm
Approval	RoHS
Weight	App. 410g (MSP-HP type)

Frequency response



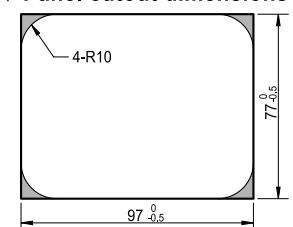
MSP-HP type Dimensions (Unit: mm)



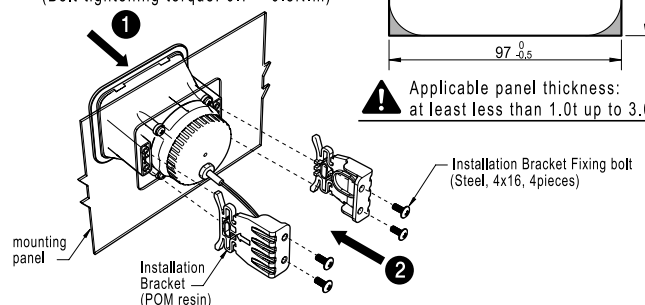
How to install panel

- Remove the installation bracket and bolts with a screwdriver from the product.
- Insert the speaker in the direction of ① on the panel.
- Mount the installation bracket to the direction of ② and fix with fixing bolt to prevent from shaking.
(Bolt tightening torque: 0.7 ~ 0.8.N.m)

Panel cutout dimensions



Applicable panel thickness:
at least less than 1.0t up to 3.0t



MSP-HB type Dimensions

MSP-HB type is product to fix speakers on the equipment or on the wall of a building other than a panel. Speaker angle can be adjusted up and down after fixing.

