

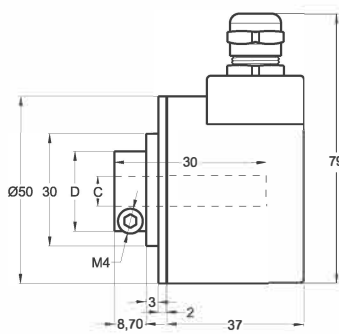
Magnetic Incremental Encoder Semi Hollow Shaft

- 50 mm case diameter
- Semi hollow shaft
- 4 - 8 - 16 - 25 - 32 - 40 - 50 - 64 - 80 - 100 - 125, 128 - 160 - 200 - 250 - 256 - 400 - 500 - 512 ppr.
- Push-Pull, TTL Linedriver and HTL Linedriver outputs
- Shaft diameter 6 - 8 - 10 - 12 - 14 - 15 mm
- 3500 rpm max.

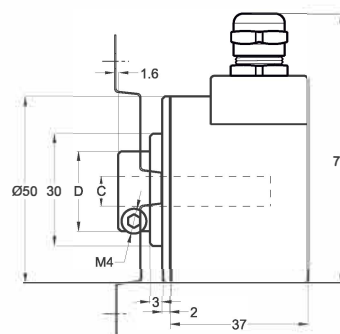


Technical Specifications

Type of Measurement	Magnetic incremental contactless
Resolution	4 ... 512 ppr.
Output Channels	A,B,Z or A,Ā, B,Ā, Z, Z̄
Output Type	Push-Pull, TTL Linedriver or HTL Linedriver
Supply Voltage	8 - 24 VDC (standard) or 5 VDC (optional)
Power Consumption (without load)	< 40 mA (24 VDC)
Electrical Connections	2.5 m cable (standard)
Max. Permissible Shaft Loading	Radial 100 N Axial 60 N
Max. Speed	3500 rpm
Shaft Diameter	Ø6 - 8 - 10 - 12 - 14 - 15 mm
Shaft Material	Stainless steel
Case Diameter	Ø50 mm
Case Material	Aluminium / Steel
IP Degree	IP 54
Operating Temperature	-20°C ... +80°C
Storage Temperature	-30°C ... +90°C



SH Type (Radial)



MRI 50SH	SH (semi hollow)	
	C	D
	Ø6 mm	20 mm
	Ø8 mm	22 mm
	Ø10 mm	23,5 mm
	Ø12 mm	23,5 mm
	Ø14 mm	29,5 mm
	Ø15 mm	29,5 mm

Push-Pull Cable Output

+V : Brown
0V : White
GND : Shield
Ch A : Yellow
Ch B : Green
Ch Z : Gray

TTL - HTL Linedriver Cable Output

+V : Brown
0V : White
GND : Shield
Ch A : Yellow
Ch B : Green
Ch Z : Gray
Ch A inv.: Blue
Ch B inv.: Red
Ch Z inv.: Pink

Model	Case Diameter	Case Type	Shaft Diameter	Output Type	Resolution	Output Channels	Supply Voltage	Connector / Cable	Cable Output
(example) MRI	50	SH	8	HLD	1024	Z	V2	2M5	R
MRI	50mm	SH : Semi hollow	6 : 6mm 8 : 8mm 10 : 10mm 12 : 12mm 14 : 14mm 15 : 15mm	LTP : Push-Pull LD : TTL Linedriver HLD : HTL Linedriver	4 ... 512 ppr.	Z : A, B, Z B : A, B	V1 : 5V DC V2 : 8-24V DC V3 : 5-24V DC	2M5 : 2,5 meter cable 5M : 5 meter cable 8M : 8 meter cable 10M : 10 meter cable	R : Radial