



Model Number

ECN10TL-*

Cable pull

Features

- **Solid yet lightweight plastic construction**
- **Compact, slim design (the shaft of the flange-mounted rotary encoder is used to provide the function of the drum bearing)**
- **Coupling-free adaptation**
- **Multitude of mounting possibilities**
- **Rust and acid-resistant measuring cable**
- **Very high level of linearity and repeatability**

Description

Lighter and more solid cable pull rotary encoder with flat housing design.

Technical data

General specifications

Device type	Target Line
Measuring range	3000 ... 10000 mm
Construction type	80 mm, 130 mm, 190 mm

Ambient conditions

Ambient temperature	-30 ... 70 °C (-22 ... 158 °F)
---------------------	--------------------------------

Mechanical specifications

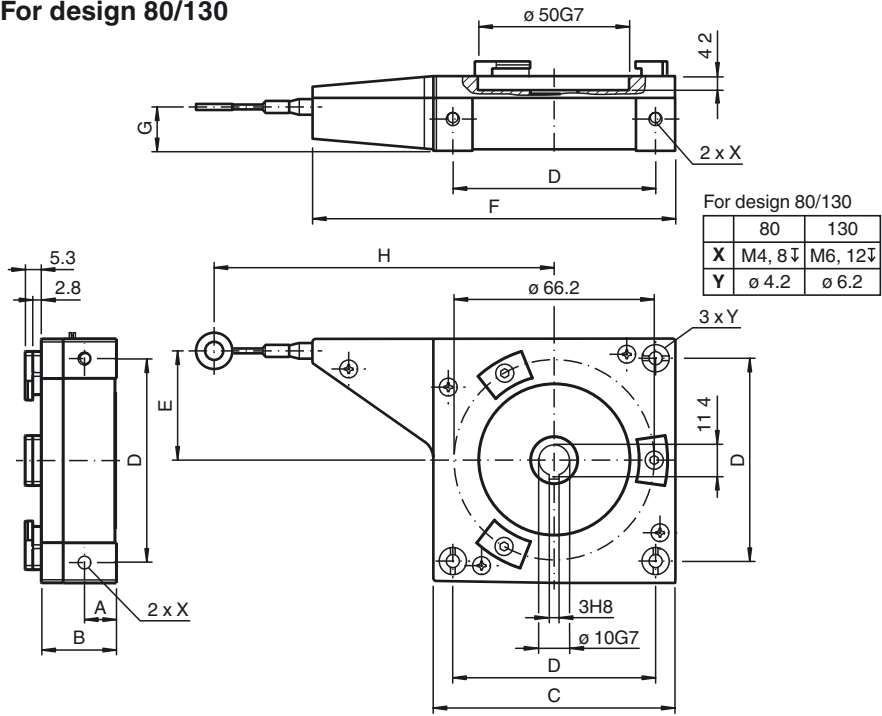
Rope diameter	0.55 mm
Degree of protection	IP50
Material	
Housing	design 80/130 : Luranyl® or Lexan 920 design 190 : ABS-GF17
Rope	Stainless steel 1.4401/316
Life span	up to 10 ⁶ Cycles

General information

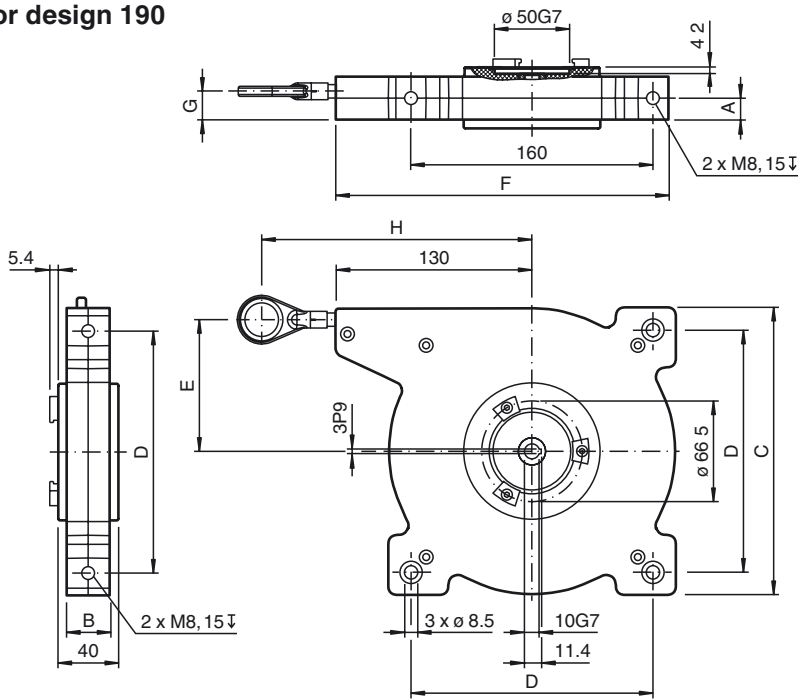
Scope of delivery	Shaft adapter for rotary encoder with shaft dimension Ø 6 mm x 10 mm up to 20 mm , adapter flange , Mounting clips , 3 x M4 x 8 bolts for mounting the adapter , Cover disk , Hexagon socket wrench, 1.3 AF
-------------------	---

Dimensions

For design 80/130

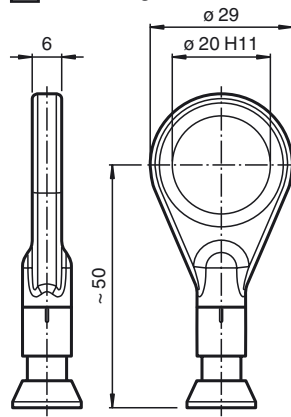


For design 190

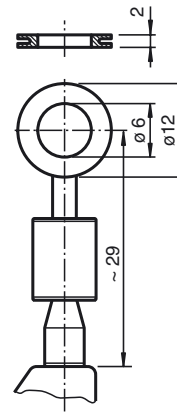


Cable mounts

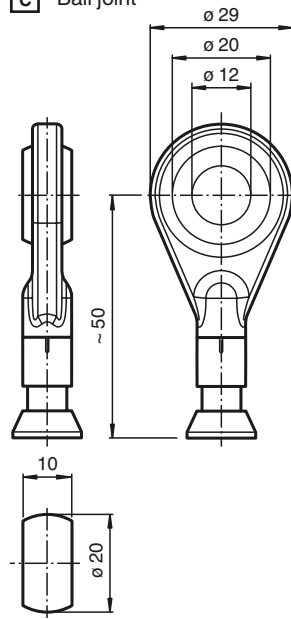
A Brass ring PE



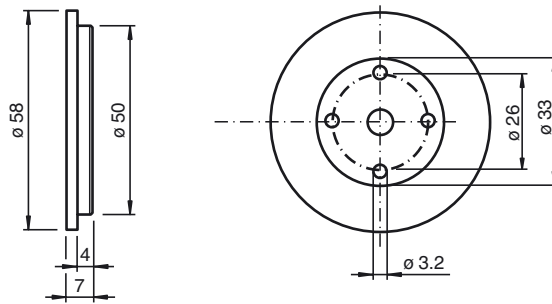
B Ring



C Ball joint



X3



Variable Data and Dimensions

Technical Data	Design 80	Design 130	Design 190
Measuring length (in m)	03	05	10
Drum size (incl. cable) (in mm)	230	385	555
Repeatability (max. in mm)	0,3	0,5	1
Hysteresis (max. in mm)	1,2	1,5	3
Linearity	± 0.01%	± 0.01%	± 0.01%
Retraction speed (in m/s)	6	3	4
Spring retraction force (in N)	5–6.3	4.5–7	9–12
Weight (in kg)	0.25	0.8	1.9
Dimensions (in mm)			
A	10.5	13	14.5
B	24.7	27.2	29
C	80	130	190
D	67	110	160
E	36	61	87
F	120.2	186	225
G	14.5	17	19
H	106	150	182

Model Number

E	C	N	1	0	T	L	-					N	P	-			:	N	N
---	---	---	---	---	---	---	---	--	--	--	--	---	---	---	--	--	---	---	---

Flange type

- X1** Servo flange Ø 50 mm/42 mm/3 x M4; shaft Ø 6 mm x 10 mm
- X3** Servo flange Ø 33 mm/26 mm/4 x M3; shaft Ø 6 mm x 11.5 mm

Cable mounts

- A** Brass Ring PE (only with 10 m)
- B** Ring
- C** Ball Joint (only with 10 m)

Length of measuring cable

- 03** 3 m
- 05** 5 m
- 10** 10 m