

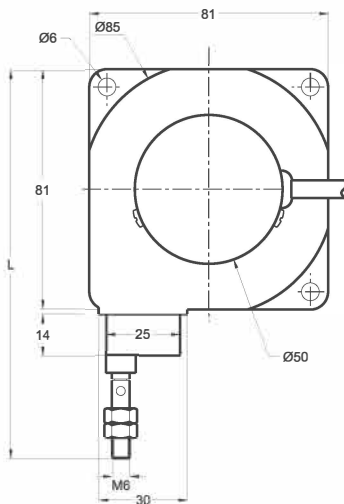
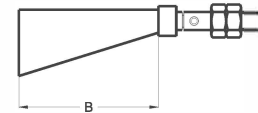
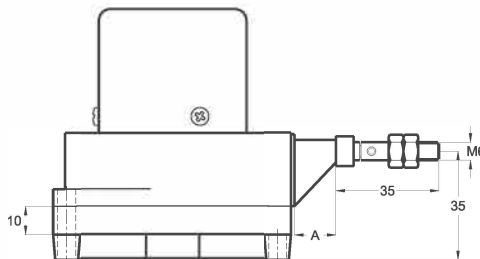
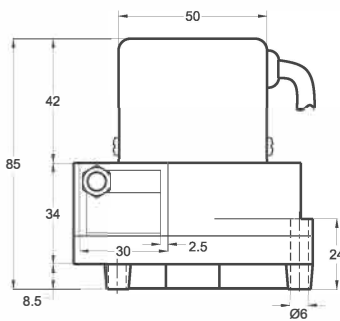
Draw Wire Potentiometer

- Measuring strokes 500, 900, 1800 or 3600 mm
- 5 kOhm / 10 kOhm resistive type or with internal voltage / current conditioner circuit
- Easy mounting

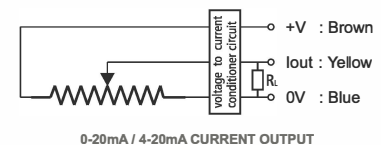
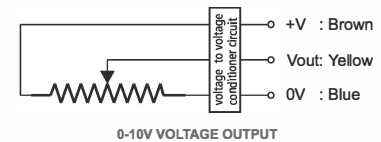
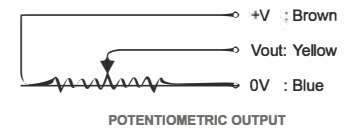


Technical Specifications

Type of Measurement	Resistive type
Linearity	0,5%, 0,1% or 0,05%
Measurement Stroke	500, 900, 1800 or 3600 mm
Output Signal Type	Voltage divider
Output Type	Resistive output, 0 - 10 V or 0 - 20 mA or 4 - 20 mA
Supply Voltage	24 VDC max., 15 - 30 V (voltage / current output)
Electrical Connections	2.5 m cable (standard)
Case Material	Aluminium / Steel / ABS plastic
IP Degree	IP 54
Operating Temperature	-20°C ... +80°C
Storage Temperature	-30°C ... +90°C



	Measurement Stroke	L
A	14 mm	1800 mm
B	50 mm	3600mm



Model	Measurement Stroke	Linearity	Output	Connector / Cable	Cable Output
(example) DWP	1800	C	5K	2M5	R
DWP	500 mm 900 mm 1800 mm 3600 mm	C: 0,5% D: 0,1%	5K: 5 Ω 10K: 10 Ω V10: 0-10 V I 4 : 4-20 mA I 20: 0-20 mA 20K: 3600	2M5: 2,5 meter cable 5M : 5 meter cable 8M : 8 meter cable 10M: 10 meter cable	R: Radial