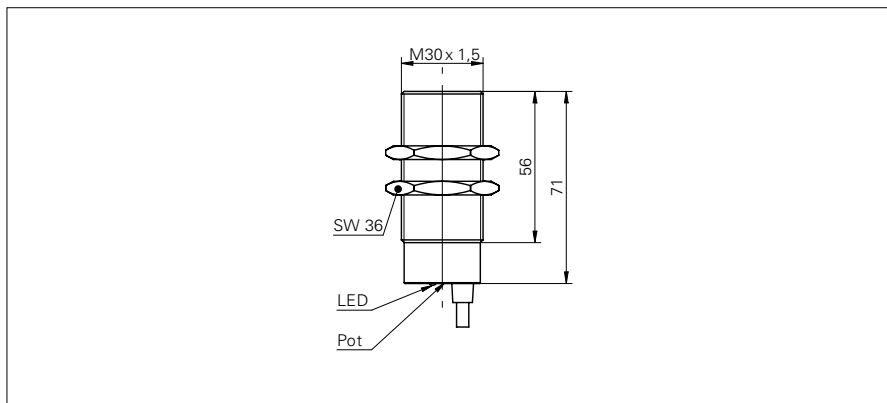


**Capacitive proximity sensors**
**CFAK 30 (Sn = 15 mm)**
**sample drawing**

**general data**

mounting type	shielded
nominal sensing distance Sn	15 mm
nominal sensing distance Sn adjustable	4 ... 15 mm
temperature drift	± 15 % (+10 ... +70 °C)
sensitivity adjustment	potentiometer
output indicator	LED yellow

**electrical data**

voltage supply range +Vs	10 ... 30 VDC
current consumption max.	20 mA
output current	< 200 mA
voltage drop Vd	< 1,5 VDC
switching frequency	< 50 Hz
short circuit protection	yes
reverse polarity protection	yes

**mechanical data**

type	cylindrical threaded
housing material	PBT
dimension	30 mm
housing length	71 mm
connection types	cable, 2 m

**ambient conditions**

operating temperature	-25 ... +75 °C
protection class	IP 65

**order reference**

<b>CFAK 30N1600</b>	NPN make function (NO)
<b>CFAK 30N3600</b>	NPN break function (NC)
<b>CFAK 30P1600</b>	PNP make function (NO)
<b>CFAK 30P3600</b>	PNP break function (NC)

**output circuit**
**sample picture**
