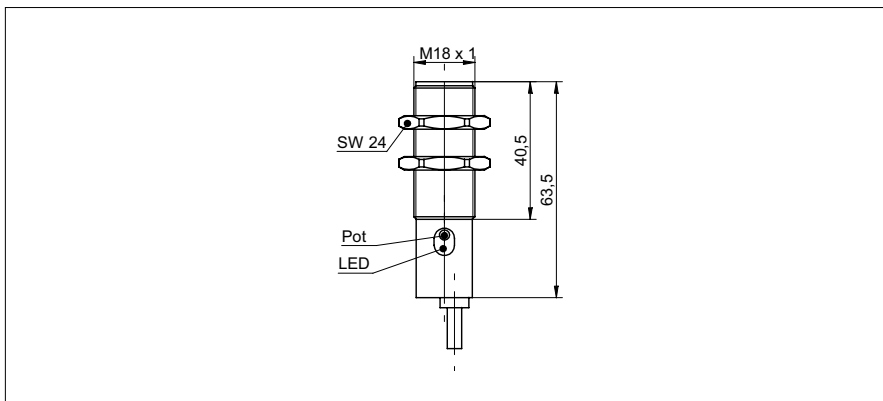


Capacitive proximity sensors
CFAK 18 (Sn = 8 mm)
sample drawing

general data

mounting type	shielded
nominal sensing distance Sn	8 mm
nominal sensing distance Sn adjustable	2 ... 8 mm
temperature drift	± 15 % (+10 ... +70 °C)
sensitivity adjustment	potentiometer
output indicator	LED yellow

electrical data

voltage supply range +Vs	10 ... 30 VDC
current consumption max.	20 mA
output current	< 200 mA
voltage drop Vd	< 1,5 VDC
switching frequency	< 50 Hz
short circuit protection	yes
reverse polarity protection	yes

mechanical data

type	cylindrical threaded
housing material	PBT
dimension	18 mm
housing length	63,5 mm
connection types	cable, 2 m

ambient conditions

operating temperature	-25 ... +75 °C
protection class	IP 65

order reference

CFAK 18N1600
CFAK 18N3600
CFAK 18P1600
CFAK 18P3600

output circuit

NPN make function (NO)
 NPN break function (NC)
 PNP make function (NO)
 PNP break function (NC)

sample picture
