

### DESCRIPTION

The Blancett Frequency-to-Current (F to I) and Frequency-to-Voltage (F to V) intelligent converters are state-of-the-art active sensors designed to provide enhanced features and greater flexibility for the Blancett turbine.

These microprocessor-based devices are engineered to provide an analog output directly from a Blancett turbine flow meter. The converters measure and calculate the flow rate of a turbine flow meter and produce an analog output proportional to the flow rate. The F to I and F to V converters are offered with either a 4...20 mA or a 0...5V DC output signal, enabling easy electronic integration. Choose between the capped aluminum conduit Y-enclosure (model B220-873 or B220-874) or the canister style (model B220-950 or B220-951) converters.

When a converter is ordered with a flow meter, the two components ship from the factory calibrated as a system. If the converter is a replacement, the turbine's K-Factor has changed, or the converter is being used with a different manufacturer's flow meter, then re-programming is possible with an optional Windows®-based software utility. Please consult the factory for details.

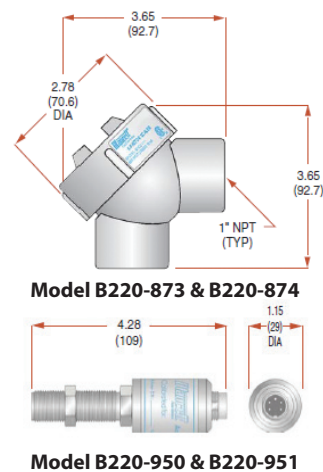
### FEATURES

- Converts turbine pulse output into linearized analog output
- Choice of 4...20 mA or 0...5V DC output
- Accuracy of frequency measurement is  $\pm 0.1\%$
- Enables integration with data acquisition devices
- Two mounting styles available for ease of installation



### DIMENSIONS

Dimensions are in inches (mm).



### SPECIFICATIONS

		F to I Models B220-873 & B220-950	F to V Models B220-874 & B220-951
<b>Power</b>		10...30 VDC supply range Loop-powered, 6V insertion loss max	10...26V DC supply range
<b>Inputs</b>	Frequency	Magnetic Pickup 0...3500 Hz	Magnetic Pickup 0...3500 Hz
	Trigger Sensitivity	30 mV p-p	30 mV p-p
	Frequency Measurement Accuracy	$\pm 0.1\%$	$\pm 0.1\%$
<b>Analog Output</b>	Resolution	4...20 mA current loop 1 : 4000	0...5V DC 1 : 4000
	Temperature Drift	50 ppm/°C (max)	50 ppm/°C (max)
<b>Environmental</b>	Ambient Temperature	-22...158 °F (-30...70 °C)	-22...158 °F (-30...70 °C)
	Humidity	0...90%, non-condensing	0...90%, non-condensing

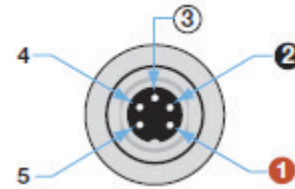
## MODELS

Model	Intelligent Converter	Output
B220-873	F to I	4...20 mA
B220-874	F to V	0...5V DC
B220-950	F to I	4...20 mA
B220-951	F to V	0...5V DC

## Connecting Cables

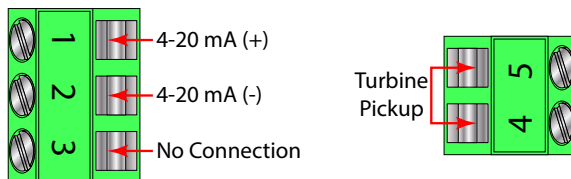
Model	Length	Description
B220952-6	6 ft	5-pin cable assembly
B220952-15	15 ft	5-pin cable assembly

## Male Connector

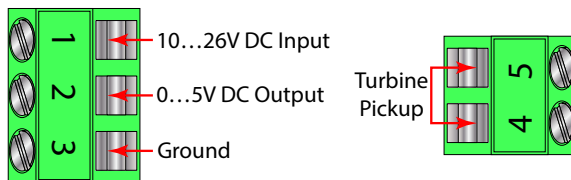


## WIRING DIAGRAMS

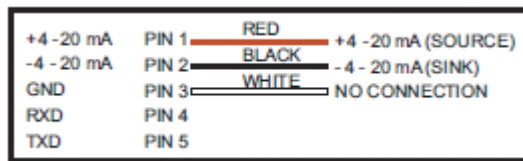
### F to I Converter, B220-873



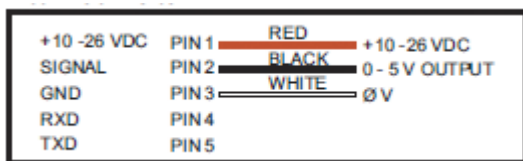
### F to V Converter, B220-874



### F to I Converter, B220-950



### F to V Converter, B220-951



## ООО "РусАвтоматизация"

454010 г. Челябинск, ул. Гагарина 5, оф. 507

тел. 8-800-775-09-57 (звонок бесплатный), +7(351)799-54-26, тел./факс +7(351)211-64-57

info@rusautomation.ru; русавтоматизация.рф; www.rusautomation.ru