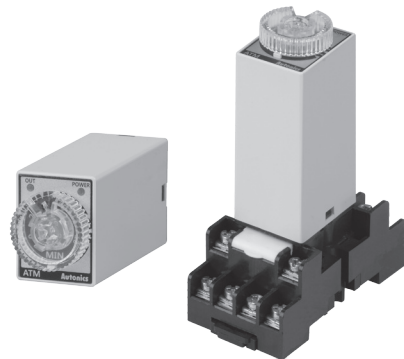


W21.5×H28mm Miniature Timer

NEW

■ Features

- Miniature Size (W21.5×H28×D58mm)
- 4c (4PDT) contact (250VAC, 3A)
- High precise time control
- Easy time setting using dial
- Various time ranges: 0.1 sec. to 3 hour
(11 time ranges, different by models)
- Power supply
 - ATM4-2: 24VDC
 - ATM4-5: 220VAC 50/60Hz
 - ATM4-6: 110VAC 50/60Hz



Mounting My socket
(sold separately)

■ Ordering Information

ATM	4	5	10	S	
				Time unit	S Sec. (1, 5, 10, 30, 60)
				Time range	M Min. (3, 5, 10, 30, 60)
					H Time (3)
					Number Max. time range
				Power supply	2 24VDC
					5 220VAC 50/60Hz
					6 110VAC 50/60Hz
				Output	4 4c (4PDT)
Item					ATM Miniature Analog Timer

■ Specifications

Model	ATM4 - 2□S 2□M 23H	ATM4 - 5□S 5□M 53H	ATM4 - 6□S 6□M 63H
Function	Power ON Delay		
Control time setting range*1	0.1sec. to 3hour		
Power supply	24VDC	220VAC 50/60Hz	110VAC 50/60Hz
Allowable voltage range	21.6 to 26.4VDC	200-230VAC 50/60Hz	100-120VAC 50/60Hz
Power consumption	Approx. 1.2W	Approx. 3VA	Approx. 3VA
Reset time	Max. 100ms		
Time operation	Power ON Start type		
Control output	Contact type 4PDT (4c)		
	Contact capacity 250VAC 3A resistive load		
Relay life cycle	Mechanical Min. 10,000,000 operations		
	Electrical Min. 200,000 operations		
Repeat error	Max. ±0.5% ±10ms		
SET error	Max. ±10% ±50ms		
Voltage error	Max. ±0.5% ±10ms		
Temperature error	Max. ±2% ±10ms		
Insulation resistance	100MΩ (at 500VDC megger)		
Dielectric strength	3,000VAC 50/60Hz for 1 min.		
Noise	±2kV the square wave noise (pulse width: 1μs) by noise simulator		
Vibration	Mechanical 0.75mm amplitude at frequency of 10 to 55Hz (for 1 min.) in each X, Y, Z direction for 1 hour		
	Electrical 0.5mm amplitude at frequency of 10 to 55Hz (for 1 min.) in each X, Y, Z direction for 10 min.		
Shock	Mechanical 300m/s ² (approx. 30G) in each X, Y, Z direction 3 times		
	Electrical 100m/s ² (approx. 10G) in each X, Y, Z direction 3 times		
Environment	Ambient temperature -10 to 50°C, storage: -25 to 65°C		
	Ambient humidity 35 to 85%RH, storage: 35 to 85%RH		
Weight*2	Approx. 48g (approx. 42g)		

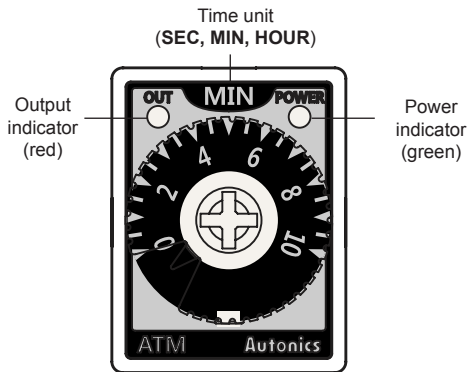
※1: Refer to time specifications for control time setting range by model.

※2: The weight includes packaging. The weight in parentheses is for unit only.

※Environment resistance is rated at no freezing or condensation.

Miniature Timer

Unit Descriptions

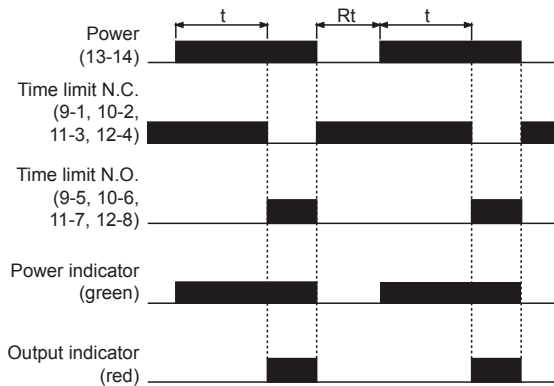


Time Specifications

Model	Time unit	Time setting range
ATM4-□1S	SEC	0.1 to 1sec.
ATM4-□5S		0.5 to 5sec.
ATM4-□10S		1 to 10sec.
ATM4-□30S		3 to 30sec.
ATM4-□60S	MIN	6 to 60sec.
ATM4-□3M		0.3 to 3min.
ATM4-□5M		0.5 to 5min.
ATM4-□10M		1 to 10min.
ATM4-□30M	3 to 30min.	
ATM4-□60M	6 to 60min.	
ATM4-□3H	HOUR	0.3 to 3hour

Operation specifications

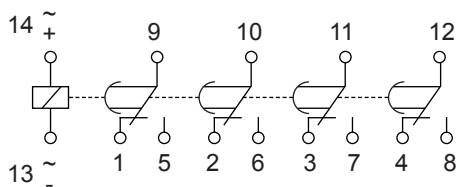
t : setting time, Rt : return time



Connections

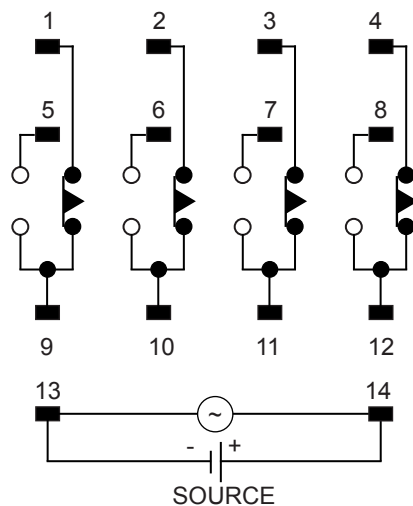
SOURCE	ATM4-2□□	24VDC 1.2W
	ATM4-5□□	200-230VAC 50/60Hz 3VA
	ATM4-6□□	100-120VAC 50/60Hz 3VA
CONTACT		250VAC 3A RESISTIVE LOAD

IEC marking



※IEC marking is on the unit.

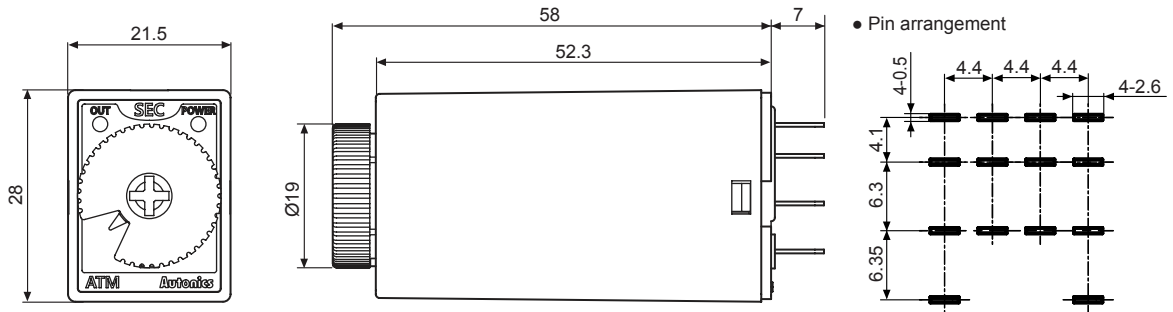
NEMA marking



ATM Series

■ Dimensions

(unit: mm)



※ Use My socket which is commercially available.

■ Proper Usage

- For DC power supply type, be sure to check the polarity of terminals.
- Please supply power quickly at once with using switch or relay contact. Otherwise it may cause time error or power reset failure.
- When supplying the power to the timer, connection shown in (Fig. 1) might cause malfunction due to leakage current through R and C. Please connect R and C as shown in (Fig. 2) to prevent malfunction.
- Do not use this unit at below places.
 - Place where temperature or humidity is out of the rated specifications.
 - Place where there is condensation by temperature changes.
 - Place where there is flammable gas or corrosive gas.
 - Place where there is dust, oil or severe vibration or impact.
 - Place where strong alkalis or acids is used.

