

ANATOM6S technical data sheet

Thank you for your confidence in BTI products.
This product has been designed and manufactured to the highest quality standards.



1. Application:

The sensor ANATOM6S is a magnet coded sensor which, when it is wired with AWAX, can protect cranks and doors on dangerous machines. It uses the electronic process ACOTOM[®]. Housing in two polycarbonate cases, one, the transmitter, the other, the receiver, it provides two NO static contacts. Like all safety products, this sensor must be periodically verified 1/year. The version with straight connector M12 IP67 and 50cm length PUR cable is ANATOM6S-MKT.

2. Regulations:

EN 60947-5-3. Cat.4 is stated with only one sensor on AWAX module otherwise Cat.2. AWAX safety relay is obligatory. Protection index IP67 following DIN EN 60529.

3. Fixing and wiring:

With two square lugs, the two parts of ANATOM6S can be easily fixed with diam. 4mm screws (ZU4 washers provided).
Optional special anti tamper screws and tool.
The receiver is fitted out with a diam. 5mm and length 3, 6 or 12m PVC multiwire (other lengths on request).

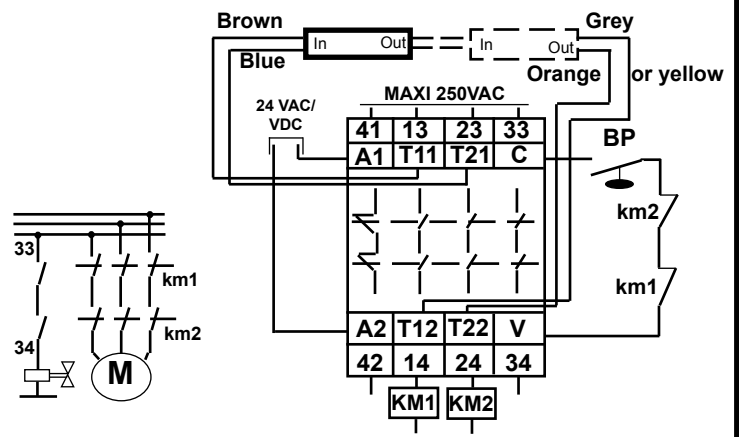
4. Fonctionning:

The ANATOM6S is supplied with safety relay AWAX. When the two targets, on receiver and on transmitter are in line, and if codes are recognized, safety switches NO and led on the side of receiver switch on.
If code is not recognized or target in misalignment, led switch off.
For avoid to damage square lugs, 1mm distance between the two parts is necessary; the detection is available with 8mm distance. Detection through 6mm stainless steel or polycarbonate wall.

5. Technical characteristics

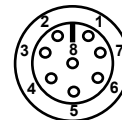
Alimentation	T11/T21 of AWAX module	
Courant	30 mA	
Lignes de sécurité	24 VDC / 800 mA	
Portée / Hytérésis	8 mm / 3 mm	
Temperature	-25 °C / +70 °C	
Protection	IP 67	
Dimensions L x l x h	Transmitter 92 x 25 x 17	Receiver 92 x 25 x 25
Poids	Transmitter 90g	Receiver 195g

6. Wiring



Connector wiring MKT version

- 1 White 5 Grey
- 2 Brown 6 Pink
- 3 Green 7 Blue
- 4 Yellow 8 Red



7. Size

