



# ZQ-7E | SERIES Ø72mm

## Signal Light/Small Size

Miniaturized dome light design  
 Exquisite appearance streamline design language Lampshade  
 surface smooth design, not easy to dust  
 Lamp shade prism optical design, warning effect is very obvious  
 Support open collector, PLC can be driven directly



### Technical Parameters

Standard	IEC/EN 61000-6				
Signal	CE				
The environment temperature	Storage	-40°C~+70°C			
	Operating	-25°C~+55°C			
Operating humidity	45 to 85%RH				
Degree of Protection	IP65 Watertight/Oiltight				
Material	Lampshade	PC			
	Light body	PA66			
Light source	LED				
Rated insulation voltage	IEC60947-1	>800V			
Voltage range	IEC60947-5-1	V0.85~1.10Un			
Rated Voltage		12V/DC	24V/DC	110V/AC	220V/AC
	LED Current				
LED Current	Red	120mA	60mA	13mA	13mA
	Yellow	120mA	60mA	13mA	13mA
	Green	120mA	60mA	13mA	13mA
	Blue	120mA	60mA	13mA	13mA
	White	120mA	60mA	13mA	13mA
Surge current	All Colors	200mA	100mA	100mA	100mA
Frequency	Flashing	About 1Hz			
	Rotating light	About 100 r/min			
Buzzer	Current	18mA			
	Volume	85dB			
Electrical life	About 50,000 hours				
Connection mode	Wire	UL1007 AWG22 (L=200mm)			
	Connector	Screw TYPE PCB terminal, spacing 5.0mm-2p			

### Select Code

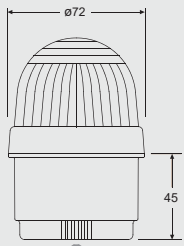


- Voltage:** 01 = 12V/DC  
02 = 24V/DC  
11 = 110V/AC  
22 = 20V/AC
- Sound way:** None = Sound way  
A = Continuous tone  
B = Intermittent sound
- Color:** Red = R  
Yellow = Y  
Green = G  
Blue = B  
White = W
- Function:** None = LED Steady  
1 = LED Flashing  
2 = LED Rotating light
- Lamp Shade Color:** No letters = Color  
C = Transparent color
- Stent models:** None = Direct mount  
A = 25A — E = 25E  
B = 22B — J = 25J  
C = 25C — K = 25K  
D = 25D — Z = 25Z  
L = 70L
- Aluminum tube length:** 10 = 10cm  
20 = 20cm  
30 = 30cm  
40 = 40cm

# Size Chart

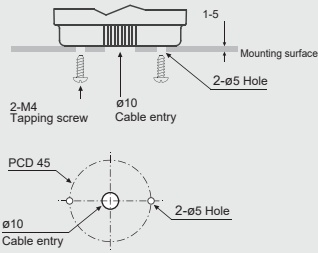
Unit: mm

## Direct mount

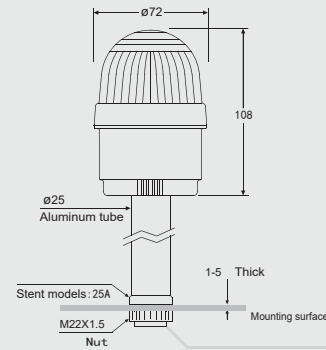


Voice direction

### mounting dimensions

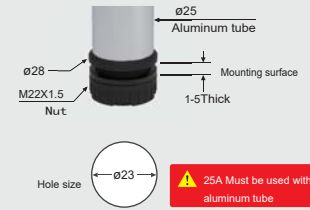


## Rod mount



### Stent models

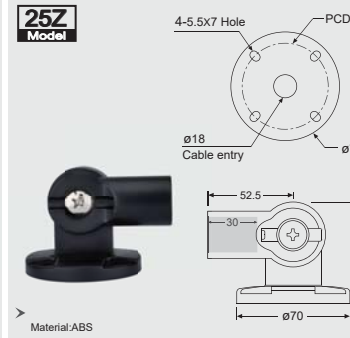
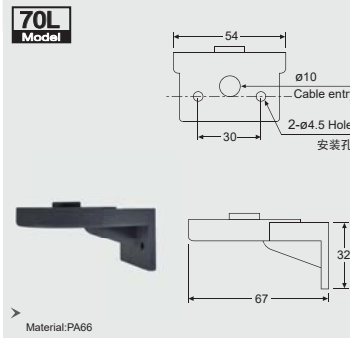
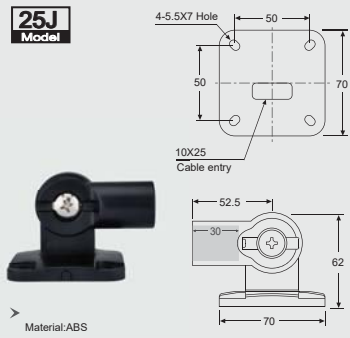
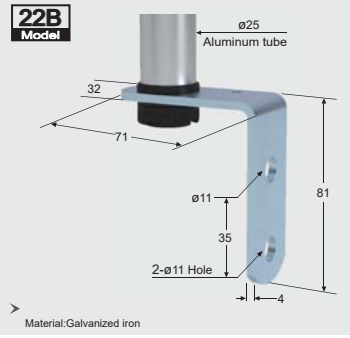
**25A Model**



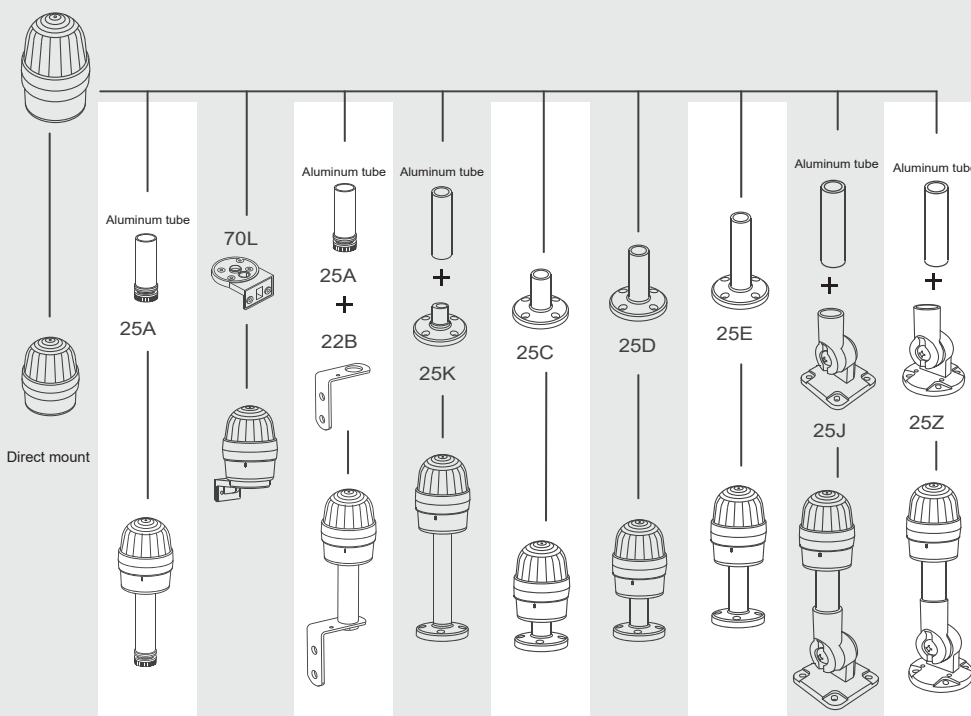
Adjustable mounting bracket:

25A 22B 25C 25D 25E 25J 25K 25Z 70L

## Support model size diagram Unit: mm



## Assembly diagram of product and mounting bracket



## Wiring Diagram

