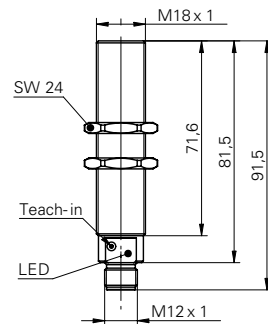


Ultrasonic proximity sensors

UNAR 18 (Sde = 1000 mm)

Ultrasonic sensors

sample drawing



general data

special type	chemically resistant
scanning range sd	100 ... 1000 mm
scanning range far limit Sde	100 ... 1000 mm
hysteresis typ.	4 % Sde
repeat accuracy	< 0,5 mm
temperature drift	< 0,18 % Sde/K
response time ton	< 50 ms
release time toff	< 50 ms
sonic frequency	240 kHz
adjustment	Teach-in
alignment aid	target indication flashing
output indicator	LED green

electrical data

voltage supply range +Vs	12 ... 30 VDC
current consumption max. (no load)	35 mA
output current	< 200 mA
voltage drop Vd	< 2 VDC
residual ripple	< 10 % Vs
short circuit protection	yes
reverse polarity protection	yes

mechanical data

type	cylindrical threaded
housing material	stainless steel 1.4435 (V4A)
coating active face	Parylene
material O-ring	FFKM
front of sensor durable against pressure	6 bar, 20'000 cycle
width / diameter	18 mm
height / length	91,5 mm
connection types	connector M12

ambient conditions

operating temperature	0 ... +60 °C
protection class	IP 67

sample picture



Ultrasonic proximity sensors

UNAR 18 (Sde = 1000 mm)

Ultrasonic sensors

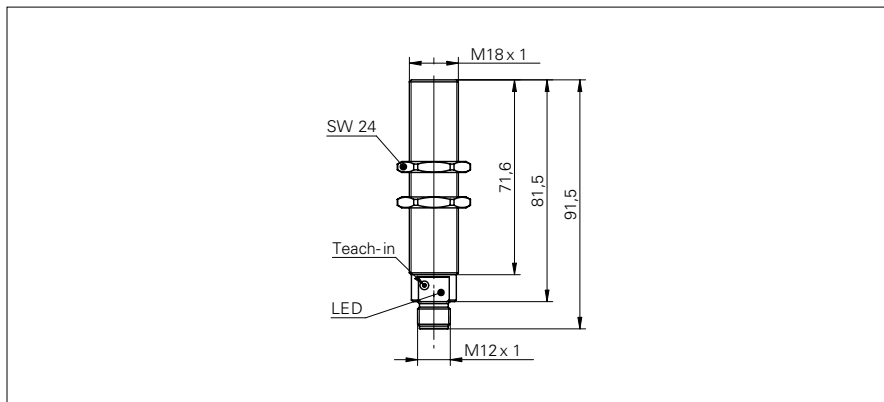
order reference	output circuit
UNAR 18N6903/S14G	NPN make function (NO)
UNAR 18N7903/S14G	NPN break function (NC)
UNAR 18P6903/S14G	PNP make function (NO)
UNAR 18P7903/S14G	PNP break function (NC)

UNAR 18 (Sde = 400 mm)

Ultrasonic proximity sensors

Ultrasonic sensors

sample drawing



general data

special type	chemically resistant
scanning range sd	60 ... 400 mm
scanning range far limit Sde	60 ... 400 mm
hysteresis typ.	4 % Sde
repeat accuracy	< 0,5 mm
temperature drift	< 0,18 % Sde/K
response time ton	< 25 ms
release time toff	< 25 ms
sonic frequency	400 kHz
adjustment	Teach-in
alignment aid	target indication flashing
output indicator	LED green

electrical data

voltage supply range +Vs	12 ... 30 VDC
current consumption max. (no load)	35 mA
output current	< 200 mA
voltage drop Vd	< 2 VDC
residual ripple	< 10 % Vs
short circuit protection	yes
reverse polarity protection	yes

mechanical data

type	cylindrical threaded
housing material	stainless steel 1.4435 (V4A)
coating active face	Parylene
material O-ring	FFKM
front of sensor durable against pressure	6 bar, 20'000 cycle
width / diameter	18 mm
height / length	91,5 mm
connection types	connector M12

ambient conditions

operating temperature	0 ... +60 °C
protection class	IP 67

sample picture



Ultrasonic proximity sensors

UNAR 18 (Sde = 400 mm)

Ultrasonic sensors

order reference	output circuit
UNAR 18N6912/S14G	NPN make function (NO)
UNAR 18N7912/S14G	NPN break function (NC)
UNAR 18P6912/S14G	PNP make function (NO)
UNAR 18P7912/S14G	PNP break function (NC)