

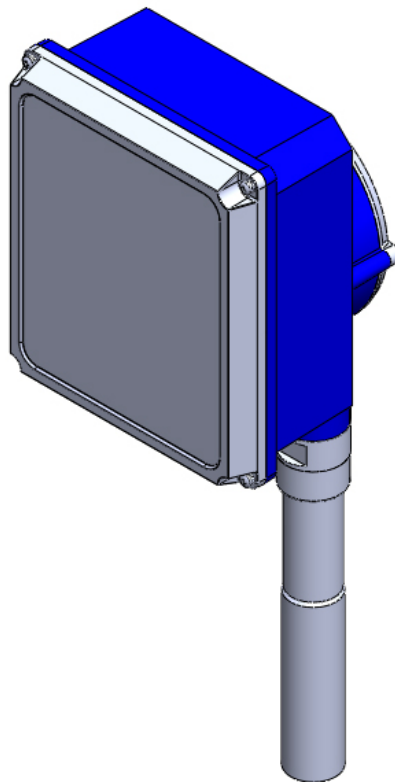


3

# ILS (E-F)

*CONTINUOUS LEVEL  
MEASUREMENT*

## SPARE PARTS CATALOGUE



Manual No. TOR.179.--.R.EN Issue: A  
Latest Update: December 2011

ORIGINAL INSTRUCTIONS IN ENGLISH



All the products described in this catalogue are manufactured according to **TOREX S.p.A. Quality System procedures**. The Company's Quality System, certified according to **ISO 9001-2008** guarantees that the entire production process, from the customer's order to the after sales service, can fulfil the product quality standard.

**This publication cancels and replaces any previous edition and revision.  
We reserve the right to implement modifications without notice.  
This catalogue cannot be reproduced, even partially, without prior consent.**

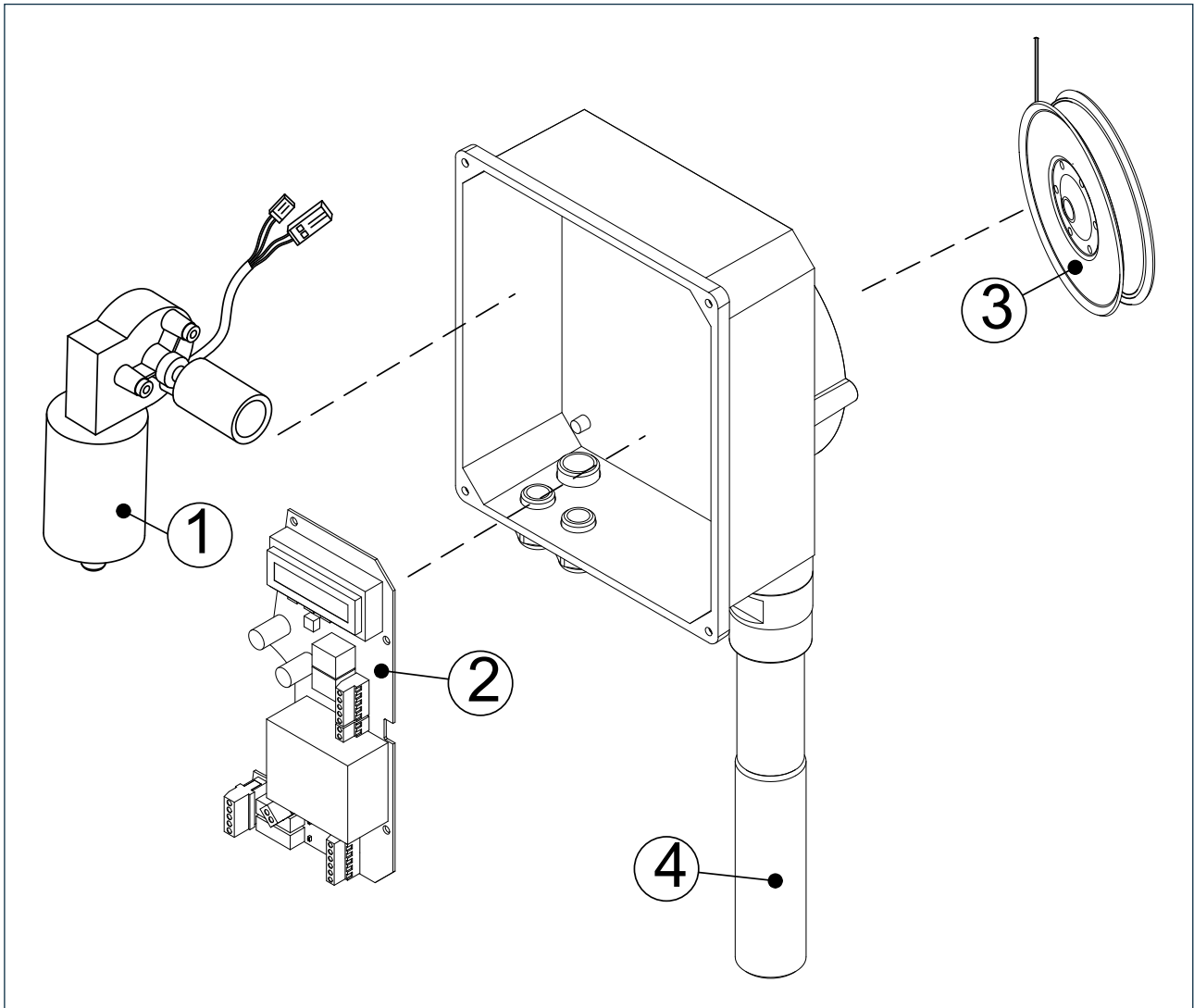


---

**SUMMARY**

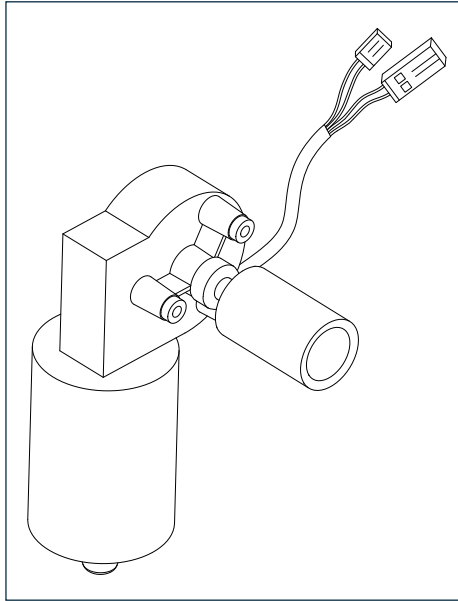
1.0 SPARE PARTS .....1

## Spare parts ILS (E-F)

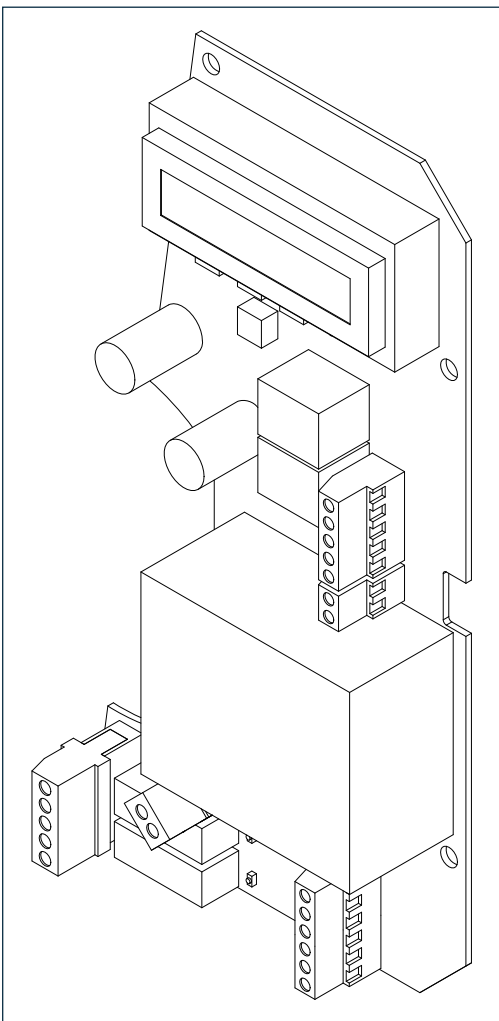


- 1) Electric motor
- 2) Electronic controller board
- 3) Tape - Rope pulley kit
- 4) Sensor weight

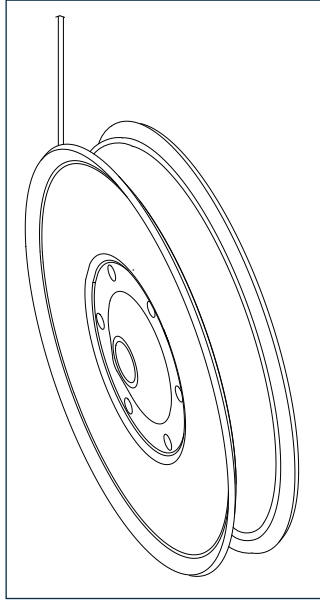
**Electric motor**



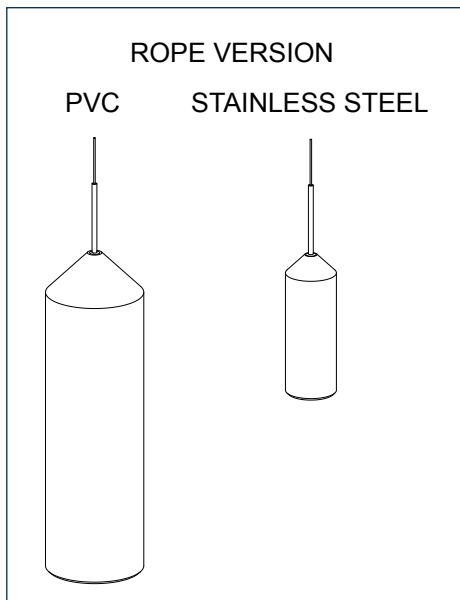
**Electric controller board**



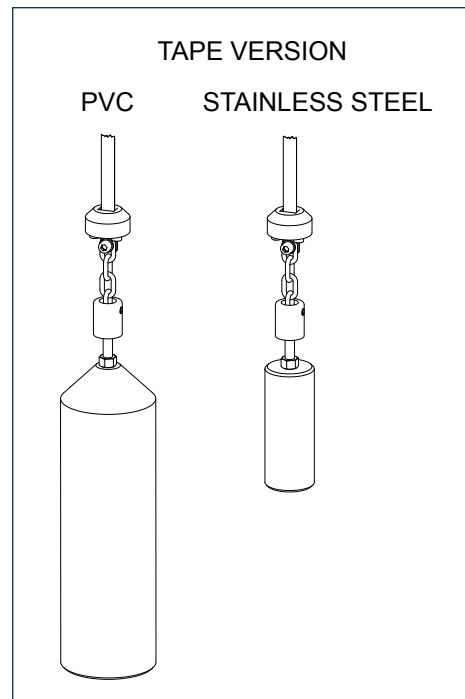
Description	Code
Electronic controller board 20...28V CC	13M17001A
Electronic controller board 110V AC	13M17011A
Electronic controller board 230V AC	13M17021A

**Tape - rope pulley kit**


Description	Code
Pulley 30m rope	13M16001A
Pulley 30m tape	13M16011A
Pulley 15m rope	13M16021A
Pulley 15m tape	13M16031A

**Sensor weight**


Description	Code
Sensor weight PVC rope	13M10001A
Sensor weight AISI rope	13M10021A



Description	Code
Sensor weight PVC tape	13M10041A
Sensor weight AISI tape	13M10051A