

# QEL/ QELT/ QELS/ QELTS

## LED Light Bars for Distribution Panel



### Common Specifications(QEL/ QELT/ QELS/ QELTS)

- Wide direct light distribution for high illumination in the distribution panel
- Options for operation are power line threading type, terminal box equipped type, on-off switch equipped type
- LED direct AC connect system, no need other power device
- Adopts constant current circuit for stable illumination in unstable power
- 4 kinds of products length 200/300/400/500mm for each condition
- Removable mount bracket that adjust mount distance
- Can customize the product with the M12 connector if requested.
- Certificates : CE Compliant, KC



### QEL External Power Line



### QELT Terminal Box Equipped



### QELS External Power Line, Switch Equipped



### QELTS Terminal Box Equipped, Switch Equipped



### Optics Specifications

Model	QEL-200/ QELT-200 QELS-200/ QELTS-200	QEL-300/ QELT-300 QELS-300/ QELTS-300	QEL-400/ QELT-400 QELS-400/ QELTS-400	QEL-500/ QELT-500 QELS-500/ QELTS-500
Lens color	Translucent	Translucent	Translucent	Translucent
Light color	Cooldaylight			
Color temperature	6,000-7,000K			
Luminous flux	DC	254lm	383lm	509lm
	AC	268lm	384lm	479lm
Efficacy (lm/W)	DC	93Lux	105Lux	165Lux
	AC	77Lux	100Lux	145Lux

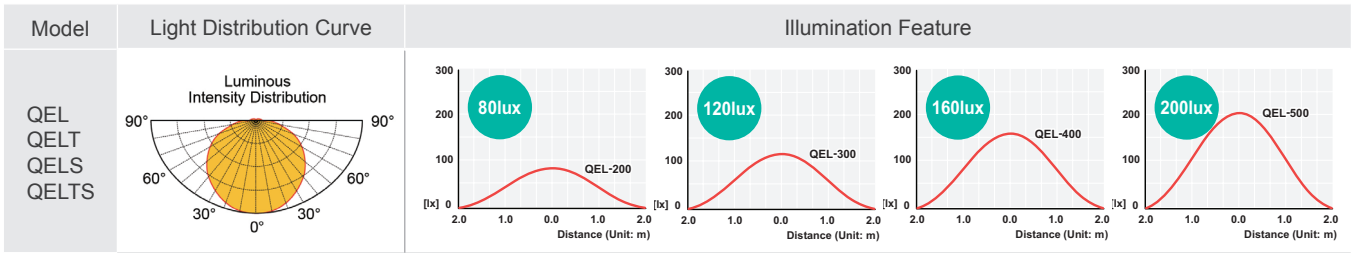
### Specifications

Model	QEL-200/ QELT-200 QELS-200/ QELTS-200	QEL-300/ QELT-300 QELS-300/ QELTS-300	QEL-400/ QELT-400 QELS-400/ QELTS-400	QEL-500/ QELT-500 QELS-500/ QELTS-500
Voltage	DC24V	DC24V	DC24V	DC24V
	AC110V/AC220V	AC110V/AC220V	AC110V/AC220V	AC110V/AC220V
Range for operation voltage	DC21.5V-26.5V / AC98V-121V / AC198V-245V			
Power consumption	3.5W	5W	7W	9W
	3.0W / 3.5W	3.5W / 5.0W	4.5W / 6.5W	5W / 8.5W
Insulation resistance	Min. 100MΩ(500V DC mega ohm meter)			
Withstanding voltage	DC : 500V AC, 60Hz, 1 minute / AC : 1,500V AC, 60Hz, 1 minute			
Operating temperature	-30°C to +50°C			
Protection rating	Non waterproof			
Materials	Lens : PC, Side cover : ABS, Bracket : STS201			
Certificate	CE DC24V/AC220V only KC AC220V only(QEL/ QELS)			
Weight(Approx.)	0.08kg	0.10kg	0.13kg	0.15kg
	0.10kg	0.12kg	0.15kg	0.17kg

# QEL/ QELT/ QELS/ QELTS

LED Light Bars for Distribution Panel

## Light Distribution and Illuminance



## Mounting Structure



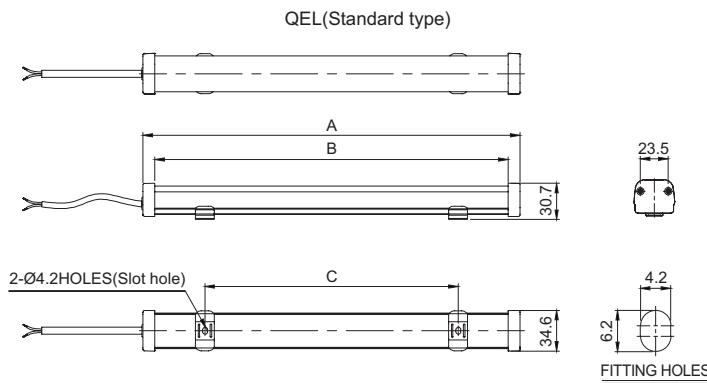
※ Adopts removable mounting bracket and sliding structure, adjustable mounting distance. ※ Standard bracket : STS201(2pcs included)



※ Cable end M12 connector attached type  
Customized Cable end M12 connector attached type available.  
(QEL, QELS Only)

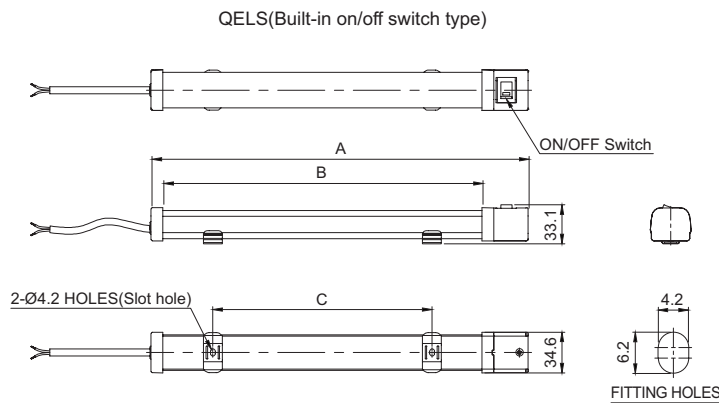
## Technical Diagram

(Units : mm)



MODEL	A	B	C
QEL-200	220	200	16-170
QEL-300	320	300	16-270
QEL-400	420	400	16-370
QEL-500	520	500	16-470

※ External power line : DC TYPE - UL2464 AWG22(0.3sq×2C) 450mm  
AC TYPE - VCTFK(0.75sq×2C) 450mm



MODEL	A	B	C
QELS-200	249	200	16-170
QELS-300	349	300	16-270
QELS-400	449	400	16-370
QELS-500	549	500	16-470

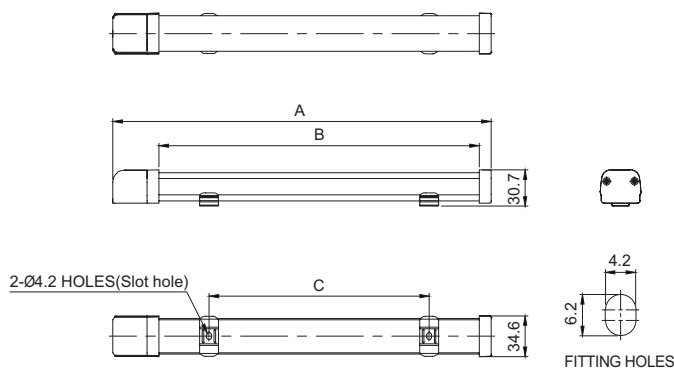
※ External power line : DC TYPE - UL2464 AWG22(0.3sq×2C) 450mm  
AC TYPE - VCTFK(0.75sq×2C) 450mm



### Technical Diagram

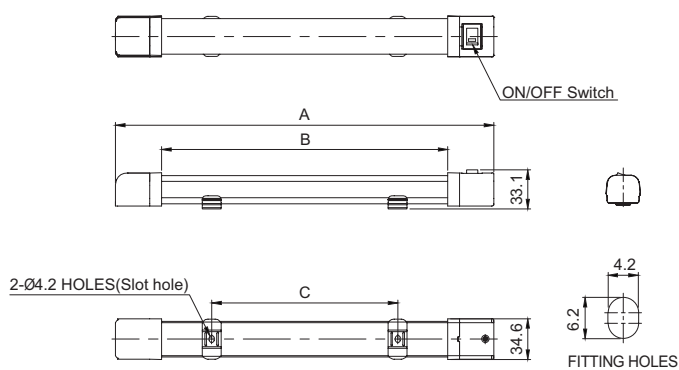
(Units : mm)

QELT (Built-in terminal type)



MODEL	A	B	C
QELT-200	249	200	16-170
QELT-300	349	300	16-270
QELT-400	449	400	16-370
QELT-500	549	500	16-470

QELTS (Built-in on/off switch and terminal type)



MODEL	A	B	C
QELTS-200	278	200	16-170
QELTS-300	378	300	16-270
QELTS-400	478	400	16-370
QELTS-500	578	500	16-470

※ External power lines are NOT provided in case of QELT and QELTS models



### Ordering Specification

QEL	-	300	-	220
[Model number]		[Product length]		[Voltage]
<ul style="list-style-type: none"> <li>• QEL : External power line</li> <li>• QELT : Terminal box equipped</li> <li>• QELS : External power line, Switch equipped</li> <li>• QELTS : Terminal box, Switch equipped</li> </ul>		<ul style="list-style-type: none"> <li>• 200 : 200mm</li> <li>• 300 : 300mm</li> <li>• 400 : 400mm</li> <li>• 500 : 500mm</li> </ul>		<ul style="list-style-type: none"> <li>• 24-DC24V</li> <li>• 110-AC110V</li> <li>• 220-AC220V</li> </ul>