

Incremental encoders

Solid shaft with EURO flange B10

1024...10000 pulses per revolution

POG 90



POG 90

Features

- Encoder with solid shaft $\varnothing 11$ mm
- EURO flange B10
- Large terminal box, turn by 180°
- Optical sensing method
- Max. 10000 pulses per revolution
- Output stage HTL or TTL
- Output stage TTL with regulator UB 9...26 VDC

Optional

- Second shaft end
- Housing foot (B3)

Technical data - electrical ratings

Voltage supply	9...30 VDC 5 VDC ± 5 % 9...26 VDC
Consumption w/o load	≤ 100 mA
Pulses per revolution	1024...10000
Phase shift	90° ± 8 °
Duty cycle	44...56 %
Reference signal	Zero pulse, width 90°
Sensing method	Optical
Output frequency	≤ 250 kHz
Output signals	K1, K2, K0 + inverted
Output stages	HTL TTL/RS422
Interference immunity	EN 61000-6-2
Emitted interference	EN 61000-6-3
Approvals	CE, UL approval / E256710

Technical data - mechanical design

Size (flange)	$\varnothing 115$ mm
Shaft type	$\varnothing 11$ mm solid shaft
Admitted shaft load	≤ 250 N axial ≤ 350 N radial
Flange	EURO flange B10
Protection DIN EN 60529	IP 66
Operating speed	≤ 10000 rpm (mechanical)
Operating torque typ.	2 Ncm
Rotor moment of inertia	320 gcm ²
Materials	Housing: aluminium die-cast alloy and stainless steel Shaft: stainless steel
Operating temperature	-20...+85 °C
Resistance	IEC 60068-2-6 Vibration 10 g, 10-2000 Hz IEC 60068-2-27 Shock 100 g, 11 ms
Corrosion protection	IEC 60068-2-52 Salt mist for ambient conditions C4 according to ISO 12944-2
Explosion protection	II 3 G Ex nA IIC T4 Gc (gas) II 3 D Ex tc IIIC T135°C Dc (dust)
Connection	Terminal box
Weight approx.	1.8 kg

Incremental encoders

Solid shaft with EURO flange B10

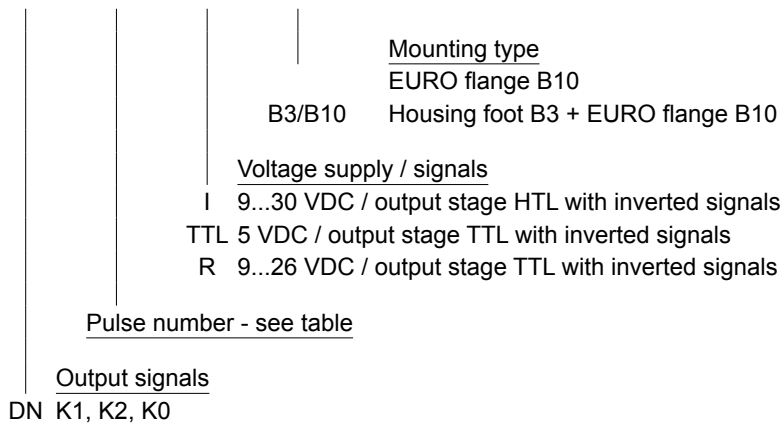
1024...10000 pulses per revolution

POG 90

Part number

Incremental encoder

POG90 **DN**



Pulse number

1024	2048	3072	4096	10000
2000	2500	3600	5000	

Other pulse numbers on request.

Accessories

Connectors and cables

HEK 8 Sensor cable for encoders

Mounting accessories

K 35 Spring washer coupling
for solid shaft $\varnothing 6...12$ mm

K 50 Spring washer coupling
for solid shaft $\varnothing 11...16$ mm

K 60 Spring washer coupling
for solid shaft $\varnothing 11...22$ mm

Diagnostic accessories

11075858 Analyzer for encoders HENQ 1100

Incremental encoders

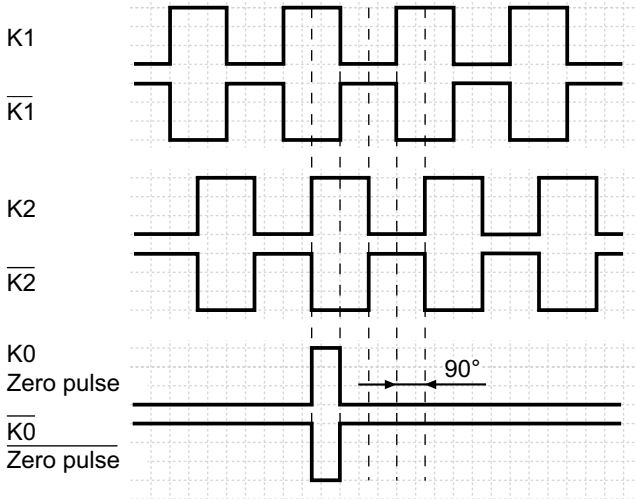
Solid shaft with EURO flange B10

1024...10000 pulses per revolution

POG 90

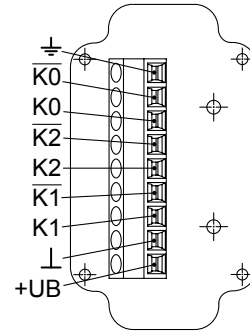
Output signals

At positive rotating direction



Terminal assignment

View A - Connecting terminal terminal box



Terminal significance

+UB	Voltage supply (for the device)
⊥; ↓; GND; 0 V	Ground (for the signals)
⊕; ↗	Earth ground (housing)
K1; A; A+	Output signal channel 1
$\overline{K1}$; \overline{A} ; A-	Output signal channel 1 inverted
K2; B; B+	Output signal channel 2 (offset by 90° to channel 1)
$\overline{K2}$; \overline{B} ; B-	Output signal channel 2 (offset by 90° to channel 1) inverted
K0; C; R; R+	Zero pulse (reference signal)
$\overline{K0}$; \overline{C} ; \overline{R} ; R-	Zero pulse (reference signal) inverted
dnu	Do not use

Incremental encoders

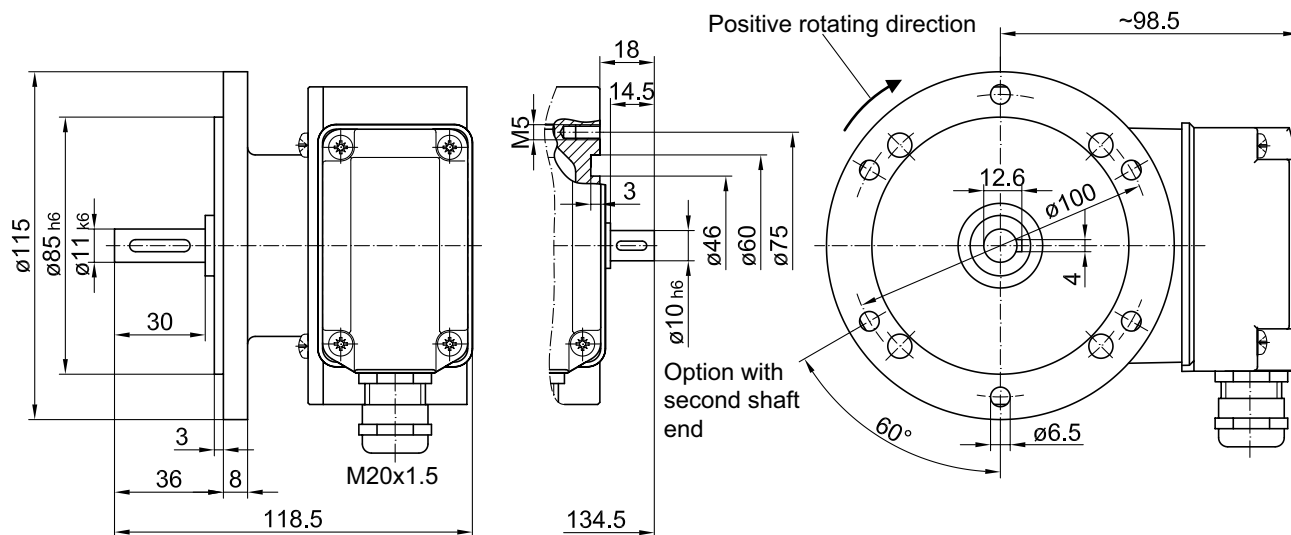
Solid shaft with EURO flange B10

1024...10000 pulses per revolution

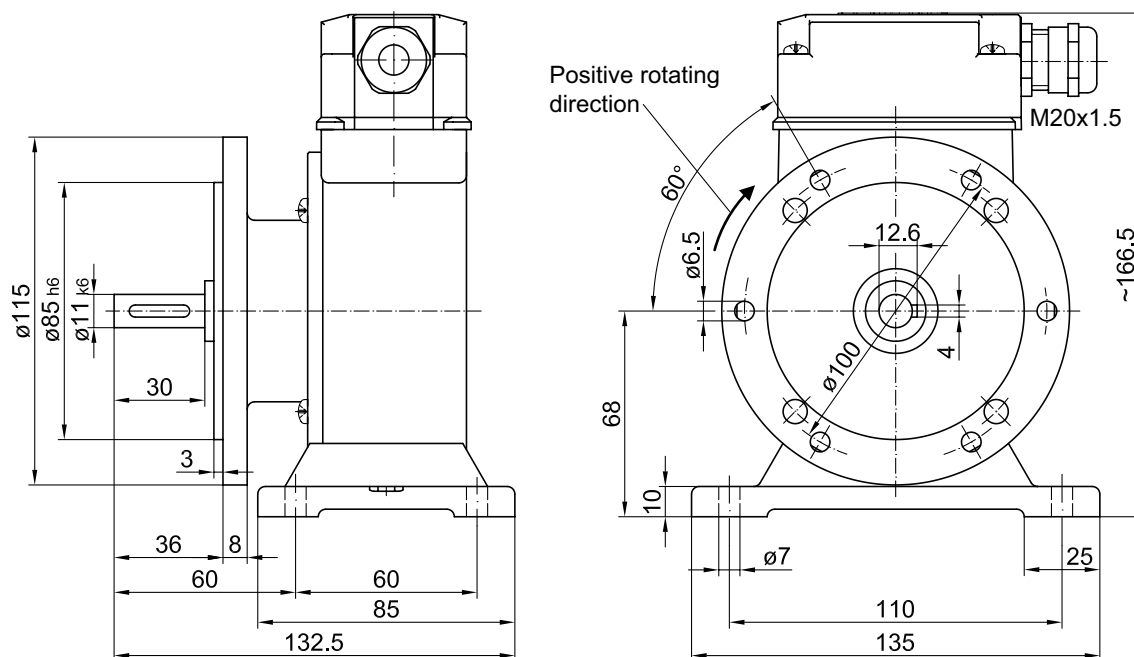
POG 90

Dimensions

Version with Euro flange (B10)



Version with Euro flange (B10) and housing foot (B3)



Subject to modification in technic and design. Errors and omissions excepted.

ООО "РусАвтоматизация"

454010 г. Челябинск, ул. Гагарина 5, оф. 507
 тел. 8-800-775-09-57 (звонок бесплатный), +7(351)799-54-26, тел./факс +7(351)211-64-57
info@rusautomation.ru; rusavtomatizacija.pf; www.rusautomation.ru