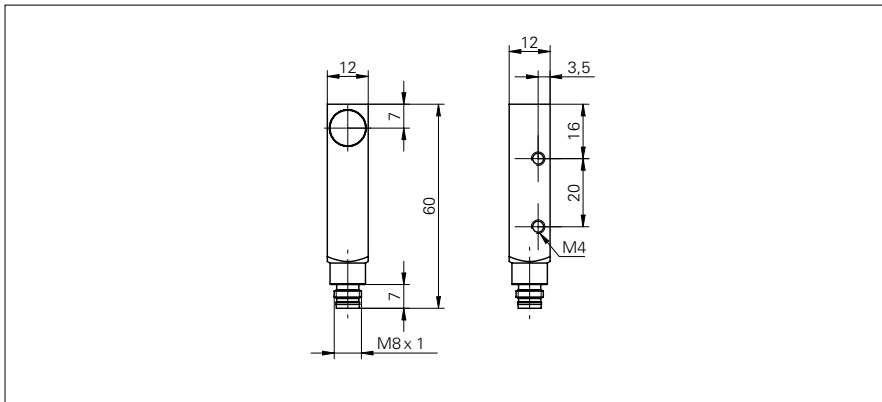


# Inductive distance measuring sensors

## IWFM 12L9504/S35A

### dimension drawing



### general data

mounting type	flush
measuring distance Sd	0 ... 4 mm
resolution	< 0,005 mm
repeat accuracy	< 0,01 mm
linearity error	± 160 µm
temperature drift	± 4 % (Full Scale)

### electrical data

response time (factory characteristic)	< 2 ms
voltage supply range +Vs	15 ... 30 VDC
current consumption max. (no load)	40 mA
output circuit	voltage - / current output
output signal	0 ... 10 V / 4 ... 20 mA
load resistance	> 1000 Ohm (Uout) / 330 ... 1000 Ohm (Iout)
voltage drop Vd	< 7,2 VDC (Iout)
short circuit protection	yes
reverse polarity protection	yes

### mechanical data

type	rectangular
housing material	brass nickel plated
dimension	12 mm
housing length	60 mm
connection types	connector M8

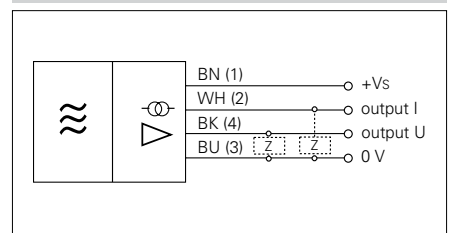
### ambient conditions

operating temperature	-10 ... +70 °C
protection class	IP 67

### photo



### connection diagram



- linearity deviation (S = 0,5...4 mm) ± 4% (Full Scale)
- load resistance: Uout min 1000 Ohm / Iout 330 - 1k
- voltage drop Vd: Iout 7,2 V