

3500/6000 PSI high temperature Flow meters for water and other liquids

- Direct reading
- Install in any position
- 360° rotatable guard/scale
- Easier-to-read linear scale
- No flow straighteners or special piping required
- Relatively insensitive to shock and vibration
- Good viscosity stability
- Temperature up to 240°C (500 °F)
- Accuracy ±2% full scale
- Repeatability ±1%
- Special scales available
- Calibrated for 1.0 S.G.

Technical data

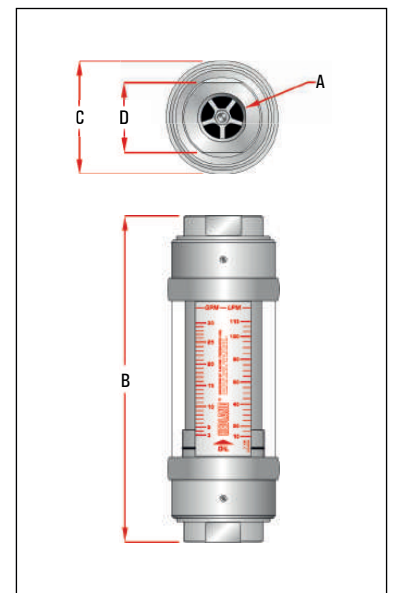
Materials:	C360 Brass body, piston and cone T303 stainless body, C360 brass piston and cone
Common parts	
Spider plate: T316 SS Spring: T302 SS Fasteners: T303 SS Seals: Viton® Scale support: T316 SS Guard: cylindrical Pyrex® glass End caps: 2011 - T3 anodized aluminum	Retaining ring: T316 SS Retaining spring: T316 SS Indicator: Nickel-plated carbon steel Internal magnet: Teflon® coated Alnico 8 Bumper: 2011 - T3 anodized aluminum Scale: Polymide
Threads	SAE J1926/1, NPTF ANSI B2.2, BSPP ISO1179
Temperature range	-20 to +400 °F (-29 to +205 °C) continuous +205 to +260 °C (+400 to +500 °F) intermittent Detailed "Pressure vs. temperature" correlation information, see next page.
Pressure rating	
Brass operating	3,500 psi/241 bar max. with a 3:1 safety factor. For high cycle applications, see page conversion information.
Stainless steel operating	6,000 psi/414 bar max. (5,000 psi/345 bar max. for ¼" to 1½" series) with a 3:1 safety factor. For high cycle applications, see page conversion information.
Pressure drop	See ordering information table, next page. For detailed differential pressure charts, see page 62.
Accuracy	±2% of full scale
Repeatability	±1%



Dimensions

A	B	C	D
Nominal port size	Length in (mm)	Width in (mm)	Flats in (mm)
¼ (SAE 6)	6.60 (168)	2.01 (53)	1.25 (32)
½ (SAE 10)	6.60 (168)	2.01 (53)	1.25 (32)
¾ (SAE 12)	7.20 (183)	2.48 (63)	1.50 (38)
1 (SAE 16)	7.20 (183)	2.48 (63)	1.75 (44)
1¼ (SAE 20)	12.20 (310)	4.20 (105)	2.75 (70)
1½ (SAE 24)	12.20 (310)	4.20 (105)	2.75 (70)

Note: Weights for all sizes can be found on page 80.



3500/6000 PSI high temperature

Flow meters for water and other liquids

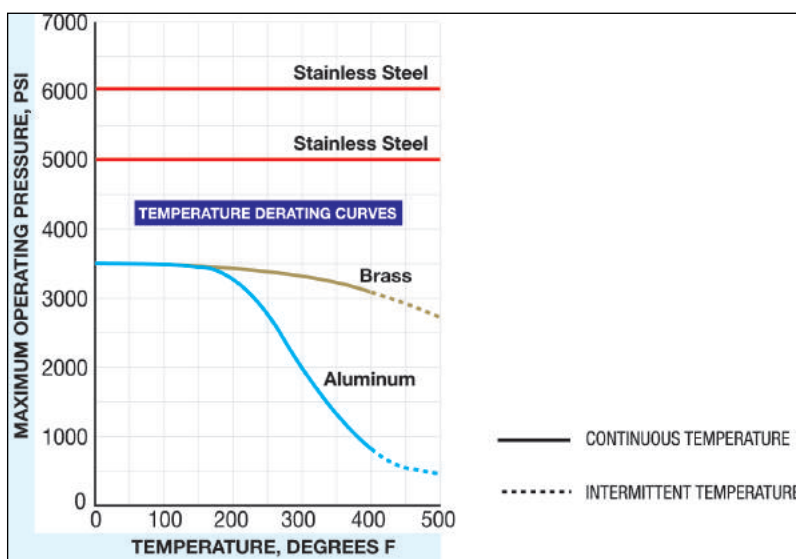
Ordering information

Nominal port size ^①	Flow range		Pressure drop		Model number (see example below)			Material ☞	
	gal/min	l/min	50% flow psi (bar)	100% flow psi (bar)	SAE	NPTF	BSPP ^③	Brass 3500 psi	Stainless steel
¼" SAE 6	0.1 - 1.0	0.5 - 3.75	4.0 (.28)	9.0 (.62)	H204 ☞ - 010 - HT	H205 ☞ - 010 - HT	H206 ☞ - 010 - HT	B	6000 psi S
	0.2 - 2.0	1 - 7.5	6.0 (.41)	13.0 (.90)	H204 ☞ - 020 - HT	H205 ☞ - 020 - HT	H206 ☞ - 020 - HT		
½" SAE 10	0.1 - 1.0	0.5 - 3.75	2.0 (.14)	2.75 (.19)	H604 ☞ - 001 - HT	H605 ☞ - 001 - HT	H606 ☞ - 001 - HT	B	6000 psi S
	0.2 - 2.0	1 - 7.5	2.0 (.14)	3.0 (.21)	H604 ☞ - 002 - HT	H605 ☞ - 002 - HT	H606 ☞ - 002 - HT		
	0.5 - 5.0	2 - 19	3.0 (.21)	6.0 (.41)	H604 ☞ - 005 - HT	H605 ☞ - 005 - HT	H606 ☞ - 005 - HT		
	1 - 10	5 - 38	4.0 (.28)	9.5 (.66)	H604 ☞ - 010 - HT	H605 ☞ - 010 - HT	H606 ☞ - 010 - HT		
	1 - 15	4 - 56	6.5 (.45)	18.5 (1.3)	H604 ☞ - 015 - HT	H605 ☞ - 015 - HT	H606 ☞ - 015 - HT		
¾" SAE 12	0.2 - 2.0	1 - 7.5	1.0 (.07)	2.0 (.14)	H704 ☞ - 002 - HT	H705 ☞ - 002 - HT	H706 ☞ - 002 - HT	B	5000 psi S
	0.5 - 5.0	2 - 19	2.5 (.17)	3.5 (.24)	H704 ☞ - 005 - HT	H705 ☞ - 005 - HT	H706 ☞ - 005 - HT		
	1 - 10	5 - 38	3.5 (.24)	9.0 (.62)	H704 ☞ - 010 - HT	H705 ☞ - 010 - HT	H706 ☞ - 010 - HT		
	2 - 20	10 - 76	4.0 (.28)	9.0 (.62)	H704 ☞ - 020 - HT	H705 ☞ - 020 - HT	H706 ☞ - 020 - HT		
	3 - 30	10 - 115	7.0 (.48)	16.5 (1.1)	H704 ☞ - 030 - HT	H705 ☞ - 030 - HT	H706 ☞ - 030 - HT		
1" SAE 16	0.2 - 2.0	1 - 7.5	1.0 (.07)	2.0 (.14)	H754 ☞ - 002 - HT	H755 ☞ - 002 - HT	H756 ☞ - 002 - HT	B	5000 psi S
	0.5 - 5.0	2 - 19	2.5 (.17)	3.5 (.24)	H754 ☞ - 005 - HT	H755 ☞ - 005 - HT	H756 ☞ - 005 - HT		
	1 - 10	5 - 38	3.5 (.24)	9.0 (.62)	H754 ☞ - 010 - HT	H755 ☞ - 010 - HT	H756 ☞ - 010 - HT		
	2 - 20	10 - 76	4.0 (.28)	9.0 (.62)	H754 ☞ - 020 - HT	H755 ☞ - 020 - HT	H756 ☞ - 020 - HT		
	3 - 30	10 - 115	7.0 (.48)	16.5 (1.1)	H754 ☞ - 030 - HT	H755 ☞ - 030 - HT	H756 ☞ - 030 - HT		
	4 - 40	15 - 150	9.0 (.62)	24.0 (1.7)	H754 ☞ - 040 - HT	H755 ☞ - 040 - HT	H756 ☞ - 040 - HT		
	5 - 50	20 - 190	12.5 (.86)	34.0 (2.3)	H754 ☞ - 050 - HT	H755 ☞ - 050 - HT	H756 ☞ - 050 - HT		
1¼" SAE 20	3 - 30	10 - 110	3.0 (.21)	4.0 (.28)	H804 ☞ - 030 - HT	H805 ☞ - 030 - HT	H806 ☞ - 030 - HT	B	5000 psi S
	5 - 50	20 - 190	3.5 (.24)	7.0 (.48)	H804 ☞ - 050 - HT	H805 ☞ - 050 - HT	H806 ☞ - 050 - HT		
	10 - 75	40 - 280	5.0 (.35)	10.5 (.72)	H804 ☞ - 075 - HT	H805 ☞ - 075 - HT	H806 ☞ - 075 - HT		
	10 - 100	50 - 380	6.5 (.45)	15.0 (1.0)	H804 ☞ - 100 - HT	H805 ☞ - 100 - HT	H806 ☞ - 100 - HT		
	10 - 150	50 - 560	10.5 (.72)	27.5 (1.9)	H804 ☞ - 150 - HT	H805 ☞ - 150 - HT	H806 ☞ - 150 - HT		
1½" SAE 24	3 - 30	10 - 110	3.0 (.21)	4.0 (.28)	H854 ☞ - 030 - HT	H855 ☞ - 030 - HT	H856 ☞ - 030 - HT	B	5000 psi S
	5 - 50	20 - 190	3.5 (.24)	7.0 (.48)	H854 ☞ - 050 - HT	H855 ☞ - 050 - HT	H856 ☞ - 050 - HT		
	10 - 75	40 - 280	5.0 (.35)	10.5 (.72)	H854 ☞ - 075 - HT	H855 ☞ - 075 - HT	H856 ☞ - 075 - HT		
	10 - 100	50 - 380	6.5 (.45)	15.0 (1.0)	H854 ☞ - 100 - HT	H855 ☞ - 100 - HT	H856 ☞ - 100 - HT		
	10 - 150	50 - 560	10.5 (.72)	27.5 (1.9)	H854 ☞ - 150 - HT	H855 ☞ - 150 - HT	H856 ☞ - 150 - HT		

①Fractional sizes apply to NPTF and BSPP.

Note: HT suffix represents standard high temperature configuration.

Example: H 705 B - 030 - HT



ООО "РусАвтоматизация"

454010 г. Челябинск, ул. Гагарина 5, оф. 507
 тел. 8-800-775-09-57 (звонок бесплатный), +7(351)799-54-26, тел./факс +7(351)211-64-57
info@rusautomation.ru; rusautomation.ru; www.rusautomation.ru