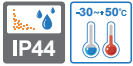


S150 series

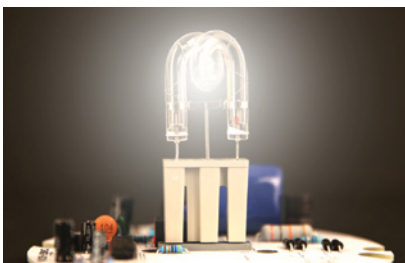
Ø150mm Large Sized Warning Lights



S150RL/ S150RS



S150RL-FT/ S150RS-FT



Hyper illuminance xenon lamp

- S150RS/S150RS-FT can be optionally equipped with a hyper illuminance xenon lamp bulb BH0647(G) upon the customers request. (model number : S150RHS/S150RHS-FT)
- Dimension, mounting hole and other functions are identical with normal type.



Common Specifications(S150RL/ S150RS)

- Stainless Steel(STS) housing allows excellent anti-corrosiveness and durability
- Mounting bracket allows convenient installation in case of XXX-FT type
- Flashing rate : 60-80 flashes/min
- Materials : Lens - AS, Housing - STS, Reflector - Heat resistant ABS, Mounting bracket - STS
- Ambient operating temperature : -30°C to +50°C
- Protection rating : IP44



S150RL/ S150RL-FT LED Steady/ Flashing Signal Lights

- Built-in switch for selection between steady and flashing mode

Model number	Voltage	Current	Certificates	Weight	Color
S150RL	DC12V	0.300A	-	0.64kg	<ul style="list-style-type: none"> • R-Red • A-Amber • G-Green • B-Blue
	DC24V	0.200A		0.64kg	
S150RL-FT	AC110V	0.060A		0.92kg	
	AC220V	0.030A		0.92kg	



S150RS/ S150RS-FT Xenon Lamp Strobe Signal Lights

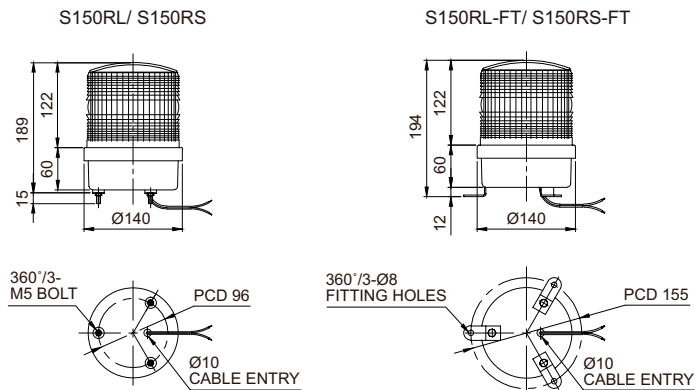
- Connector type lamp socket allows convenient lamp replacement

Model number	Voltage	Current	Bulb			Certificates	Weight	Color
			Spec	Standard	Parts no			
S150RS S150RS-FT	DC12V	1.001A	200V -550V	EUB0641 -1A(G) U Type	48	-	0.68kg	<ul style="list-style-type: none"> • R-Red • A-Amber • G-Green • B-Blue
	DC24V	0.616A					0.68kg	
	AC110V	0.133A					0.66kg	
	AC220V	0.106A					0.66kg	



Technical Diagram

(Units : mm)



Wiring Instructions

- External power line standard : UL1015 AWG18(0.75sq)×2C 400mm
- Product can be wired regardless of polarity



Customization

- Hyper illuminance xenon lamp type(model number : S150RHS/S150RHS-FT)



Ordering Specification

S150RS	-	220	-	R
[Model number]		[Voltage]		[Color]
<ul style="list-style-type: none"> • S150RL • S150RL-FT • S150RS • S150RS-FT 		<ul style="list-style-type: none"> • 12-DC12V • 24-DC24V • 110-AC110V • 220-AC220V 		<ul style="list-style-type: none"> • R-Red • A-Amber • G-Green • B-Blue

ООО "РусАвтоматизация"