

# Q100L series

## Ø100mm LED Steady/ Flashing Signal Lights



**Q100L**



**Q100LW**

Wall mount type models allow for contained and tidy wiring with no exposed wires.



### Common Specifications(Q100L/ Q100LW/ Q100LP)

- Standard-sized signal lights of Ø100mm with attractive appearance
- Shock and vibration-resistant, maintenance reduced with long-lasting energy-efficient LED light source
- Selectable mounts available depending on your application environment (direct mount, wall mount, pole mount)
- Features high visibility with special diffusive lens and direct LED light distribution system
- Built-in buzzer available (Volume : Max 80dB at 1m)
- Built-in switches for steady and flashing light function mode
- Flashing rate : 60-80 flashes/min
- Materials : Lens-PC, Housing-ABS, Bracket-PC
- Ambient operating temperature : -30°C to +50°C
- Protection rating : IP65
- Certificates : CE Compliant, UL Listed
- Compliant with RoHS directive

Model number	Voltage	Current	Certificates	Weight	Color
Q100L Q100LW Q100LP	DC12V-24V	Max 0.255A	DC only	• Q100L-0.28kg • Q100LW-0.70kg • Q100LP-1.22kg (Weight Above Include QZ24)	• R-Red • A-Amber • G-Green • B-Blue
	AC110V-220V	Max 0.067A	DC only		

※ DC type model has a free-voltage range of 10V-30V.

※ AC type model has a free-voltage range of 100V-240V.



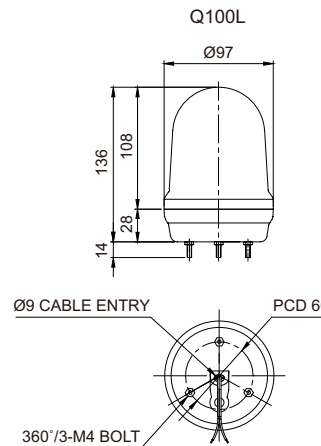
### Q100L Direct Mount LED Steady/ Flashing Signal Light

- Direct mount type with the three bolts/screws located on the bottom of the product



#### Technical Diagram

(Units : mm)



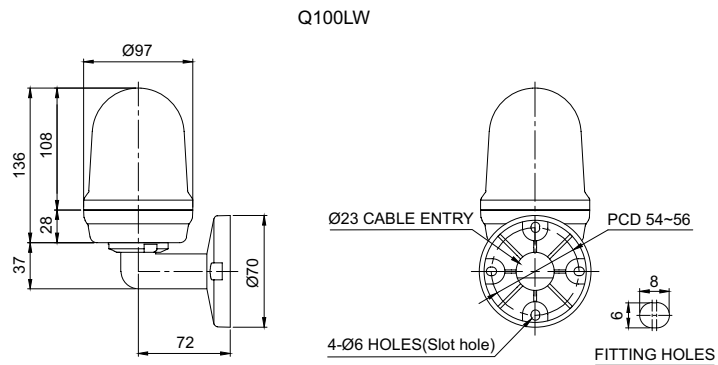
### Q100LW Wall Mount LED Steady/ Flashing Signal Light

- Wall mount type with the bracket equipped



#### Technical Diagram

(Units : mm)



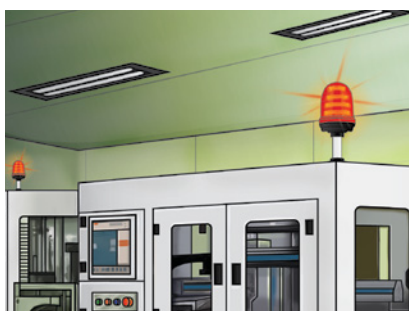
# Q100L series

Ø100mm LED Steady/ Flashing Signal Lights



**Q100LP**

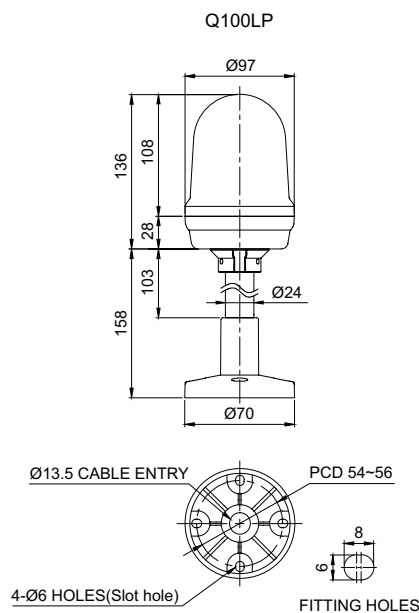
The picture for QZ24 equipped



## **Q100LP Pole Mount LED Steady/ Flashing Signal Light**

- Pole mount type
- Selectable mounting bracket available depending on the installation requirements

### **Technical Diagram** (Units : mm)



### **Wiring Instructions**

- External power line standard : UL1015 AWG18(0.75sq)×2C 400mm
- Product can be wired regardless of polarity

### **Mounting Bracket**

Standard	QZ24	SZ24	SL24	QLA24
Steel	PC	Al	Al	PC



\* Please refer to page32-37 for detailed dimension of mount bracket.

### **Customization**

- Customized pole length available

### **Ordering Specification**

<b>Q100LP</b>	-	<b>BZ</b>	-	<b>12/24</b>	-	<b>R</b>	-	<b>SZ24</b>
[Model number]		[Buzzer option]		[Voltage]		[Color]		[mount bracket]
<ul style="list-style-type: none"> <li>• Q100L</li> <li>• Q100LW</li> <li>• Q100LP</li> </ul>		<ul style="list-style-type: none"> <li>• None</li> <li>• No buzzer</li> <li>• BZ</li> <li>• Built-in buzzer</li> </ul>		<ul style="list-style-type: none"> <li>• 12/24</li> <li>• -DC12V-24V</li> <li>• 110/220</li> <li>• -AC110V-220V</li> </ul>		<ul style="list-style-type: none"> <li>• R-Red</li> <li>• A-Amber</li> <li>• G-Green</li> <li>• B-Blue</li> </ul>		<ul style="list-style-type: none"> <li>• None</li> <li>• Standard</li> <li>• Bracket</li> <li>• QZ24</li> <li>• SZ24</li> <li>• SL24</li> <li>• QLA24</li> </ul>

## ООО "РусАвтоматизация"