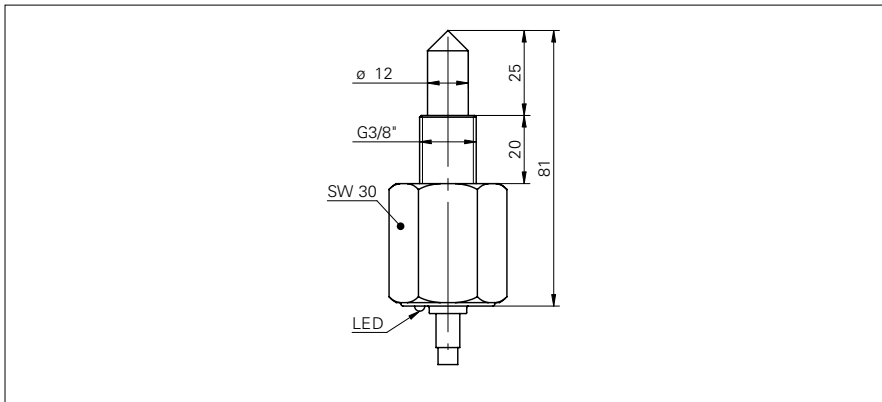


## Liquid level and leakage sensors

Photoelectric sensors

### FFAK 17 (standard version)

#### sample drawing



#### general data

type	liquid level sensor
light source	pulsed infrared diode
nominal pressure (probe tip)	10 bar
output indicator	LED yellow
sensitivity adjustment	no
wave length	880 nm
measurement type	contact with medium

#### electrical data

voltage supply range +Vs	10 ... 30 VDC
current consumption max. (no load)	15 mA
voltage drop Vd	< 2 VDC
output function	normally open (NO)
output current	< 200 mA
short circuit protection	no
reverse polarity protection	yes, Vs to GND

#### mechanical data

width / diameter	30 mm
height / length	81 mm
thread	G 3/8"
type	cylindrical
material (sensing device)	polysulphone
housing material	polysulphone
connection types	cable 3 pin, 2 m

#### ambient conditions

operating temperature	0 ... +65 °C
protection class	IP 67

#### order reference

<b>FFAK 17NTD1001/L</b>
<b>FFAK 17PTD1001/L</b>

#### output circuit

NPN
PNP

#### sample picture

