

Innovation create new HMI vision

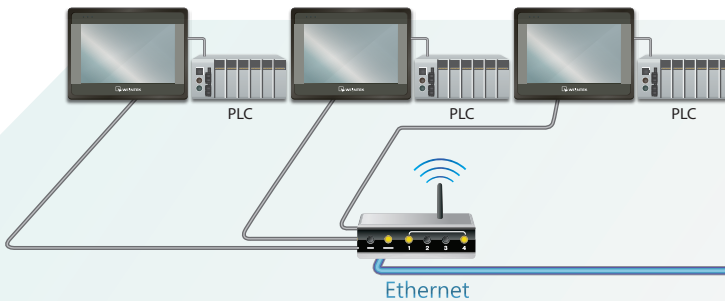


mTV Machine TV Interface

Breaking through the architecture of HMI, we freed HMI from its traditional combination of LCD panel and touch screen. The compact mTV can connect various sized TVs or monitors with HDMI interface. This makes real-time display clearer and less limited.

- HD 720p High Resolution HDMI Output
- One Gigabit Ethernet Port
- Compact Design and DIN-rail Mountable
- Built-in 256MB Flash Memory
- SD Card Slot for Extension of Storage
- One USB Host Port
- Fan-less Cooling System
- Supports MPI 187.5K
- Power Isolator Inside

Traditional Architecture



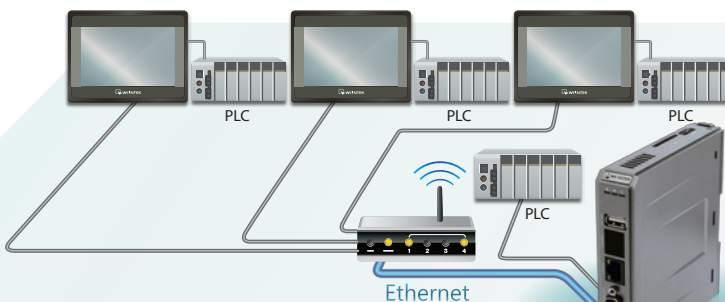
HMI Large touch screen
Real-time on-site monitoring



Wider vision

TV Any Size
Real-time on-site monitoring

mTV Architecture

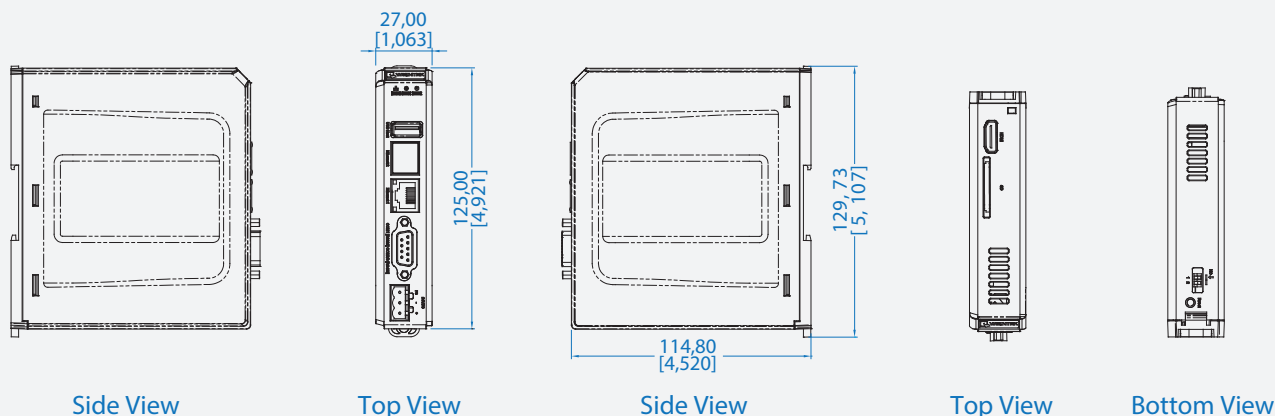


mTV
(HDMI interface)

mTV-100

Machine TV Interface

Dimensions



Specification

Memory	Storage (MB)	256 MB
	RAM (MB)	256 MB
Processor		32 bits RISC Cortex-A8 600MHz
I/O Port	SD Card Slot	SD/SDHC
	USB Host	USB 2.0 x 1
	USB Client	N/A
	Ethernet	10/100/1G x 1
	COM Port	COM1 RS-232, COM2 RS-485 2W/4W, COM3 RS-485 2W
	CAN Bus	N/A
	HDMI	Resolution 1280 x 720
RTC	Audio Output	HDMI Audio Output
Power	Input Power	Built-in (CR1225 3V lithium battery)
	Power Consumption	24±20%VDC
	Power Isolation	230mA@24VDC
	Voltage Resistance	Built-in
	Isolation Resistance	500VAC (1 min)
	Vibration Endurance	Exceed 50MΩ at 500VDC
Specification		10 to 25Hz (X, Y, Z direction 2G 30 minutes)
	Enclosure	Plastic
	Dimensions WxHxD	130 x 115 x 27mm
	Weight (kg)	Approx. 0.18 kg
	Mount	35mm DIN rail mounting
	Storage Temperature	-20° ~ 70°C (-4° ~ 158°F)
	Operating Temperature	-20° ~ 55°C (-4° ~ 131°F)
Certificate	Relative Humidity	10% ~ 90% (non-condensing)
	CE	CE marked
Software	UL	cULus Listed
		EasyBuilder Pro V3.00.02 or later versions
Cable (Option)		FLC014200 : HDMI to DVI cable Length=200cm
		FLC012200 : HDMI to HDMI cable Length=200cm

* Specifications subject to change without notice.

ООО "РусАвтоматизация"

454010 г. Челябинск, ул. Гагарина 5, оф. 507

тел. 8-800-775-09-57 (звонок бесплатный), +7(351)799-54-26, тел./факс +7(351)211-64-57

info@rusautomation.ru; rusautomation.pf; www.rusautomation.ru