

# OPERATING MANUAL

**SN**

## OPERATING MANUAL

Small Size Signal Phone

Thank you for purchasing QLight product. Please read this manual carefully before installing this product for safe and long use.

### 1 Pro

- High durability with strong steel housing.
- Possible to control volume level by using the built-in volume controller.
- Standard Body Color : Red
- Material : Body-Steel Housing
- Volume : 95~105dB/1m
- Protection Class : IP55
- Operating Temperature : -20°C~50°C

### 2 Spe

#### General Specification

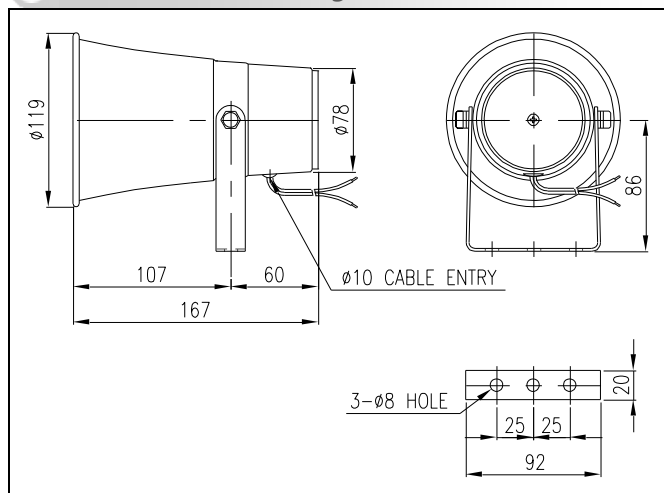
Model	Main Built-in Sounds	DB(Max)	Voltage	Current	Weight
SN	WS	5Warning Sounds	105dB	·DC12V /0 266A	DC-0.95Kg AC-1.11Kg
	WM	5Melodies	105dB	·DC12V /0 211A ·DC24V	
	WA	5Alarms	103dB	·AC110V /0 062A ·AC220V	
	WV	3Voice Signals	95dB	·AC220V /0 031A	

#### Sound Tone Combination of Standard Product

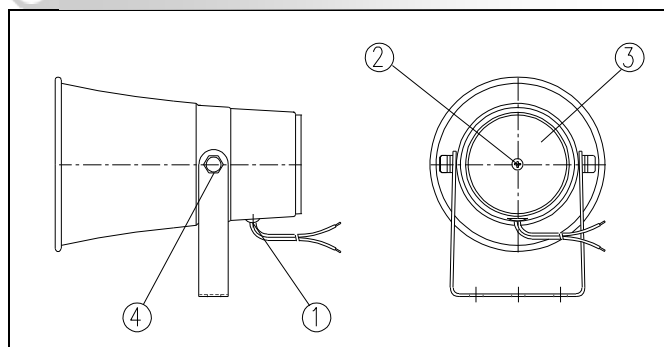
	Main Built-in Sounds	CH	Sound Tone	DB(Max)
WS	5Warning Sounds	ch1	Fire A-ANG Sound	105dB
		ch2	Emergency WA-U Sound	
		ch3	Ambulance PI-PO Sound	
		ch4	Machinery Fault PI-PI Sound	
		ch5	High-Expasion Foamrelease PI~Sound	
WM	5Melodies	ch1	Sweet Home	105dB
		ch2	For Elise	
		ch3	Cuckoo Waltz	
		ch4	Piano Sonata	
		ch5	Turkish March	
WA	5Alarms	ch1	Beep. intermittent	103dB
		ch2	Door chime	
		ch3	Phone Ring sound	
		ch4	PI PI PI. short interval	
		ch5	Tripping bead sound	

WV	3Voice Signals	ch1 ch2 ch3	Voice recording 3 channels	95dB
----	----------------	-------------------	----------------------------	------

### 3 External View Drawing



### 4 Product Structure



### 5 Wiring Instruction

- Power line VCTF(0.75sqX2C) 400mm comes out from the product.
- In case of product using AC voltage, connect the line without Polarity(wire color).
- In case of product using DC voltage, black line is negative(-).
- Power entry① is equipped with cable connector. Keep airtightness between cable and cable connector by tightening cable connector.

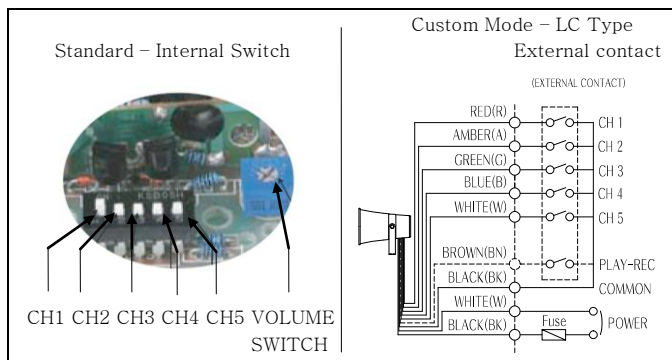
#### ■ Custom-made(LC) connection way to select sound by external contact point

- Custom-made(LC) which select sound by external contact point comes out power line and signal line outside. Please see below picture to connect.
- Power line: UL1015-NO.18(0.75sq)X2C 400mm
- Signal line: UL1007-NO.22(0.3sq) 400mm

#### \* Warning!

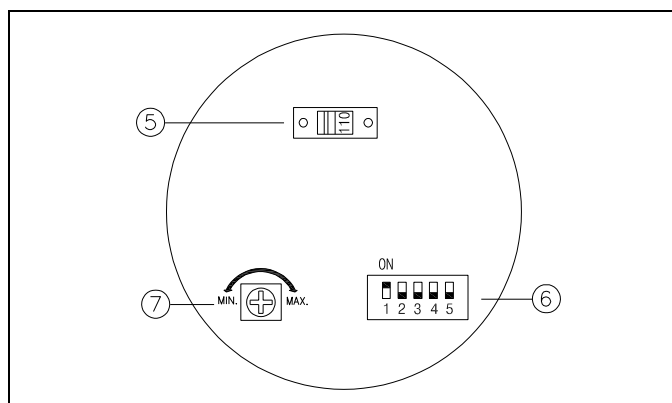
If you connect power line to Common line and each signal line, there's a sound badness. So please be careful.

# OPERATING MANUAL



## 6 Selecting voltage, sound tone, control volume

This product has a volume controller, voltage selection switch and sound tone selection switch on assembling board for convenience. Refer to previous structure drawing, following drawing and explanation for right operating. In the first, remove cover<sup>③</sup> by loosening cover bolt<sup>②</sup> on back side.



### ▪ Selecting Voltage

#### ※ Warning !

Must turn off power supply. Converting switch during power supply can cause short circuit.

- Can choose one of AC110V and AC220V by using voltage selection switch<sup>⑤</sup>. **220V is already selected for standard product. Convert the switch to 110V if needed.**

### ▪ Sound Tone Selection (Standard Product)

Standard product has 5 sound tones built-in. Select one of them by using sound tone selection switch<sup>⑥</sup>.

### ▪ Volume Control

This product has volume controller<sup>⑦</sup> built-in. Turn it to clockwise for increasing volume and turn it to counterclockwise for decreasing volume.

## 7 Mounting

- This product is manufactured for outdoor use. Mount at the place where exists low moisture and low dust as long as possible.
- Refer to below information and drill necessary mounting holes on profitable part of the product. (Make sure PCD from external view drawing.)
- Fix the product by using extra mounting bolt(M8-2EA).

## 8 Adjustment of Horn Housing Angle

If the angle of horn housing(angle of signal transmission) needs adjustment, loose the bracket fixing bolt<sup>④</sup> on side of body and adjust the angle. (Refer to structure drawing)

## 9 Caution

- This is designed for explosion proof and water proof/dust proof product. **When releasing the product for checking, connecting etc, must keep airtight by making sure bolts.**
- If using voltage is seriously higher or lower than rated voltage, it can reduce the self-life of the product or can cause a problem on product operating. Make sure the using voltage does not exceed +/-5% of the rated voltage.
- If lens or body of the product is contaminated by chemicals such as thinner, benzene, the product can be damaged, discolored or deformed. Please be careful.

# OPERATING MANUAL

## 10 Trouble shooting

Situation	Main reason	Solution
Sound Tone Deterioration or Volume Decreasing	Supplying Voltage Lower Than Rated Voltage	Making Sure Using Voltage
	Wrong operating Voltage Selection Switch (AC Voltage Type)	Checking Voltage Selection Switch
Too high sound tone than the standard	Supplying Voltage Higher than Rated Voltage	Making Sure Using Voltage
Output 2 kinds of sounds	Signal sound line short	Making Sure connection
	Problem Sound tone Selection Switch	Contact Q.Light or Their Agent
No sound	Problem with Horn	Contact Q.Light or Their Agent
	Wrong Wiring	Making Sure Wiring
	No Power Supply	Making Sure Power Supply

### — For

#### QLIGHT CO., LTD.

<http://www.qlightkr.com>

E-mail : [qlightkr@qlightkr.com](mailto:qlightkr@qlightkr.com)

#### Overseas Marketing Team /Plant

Tel) 055-328-4082 Fax)055-328-4083

178-1 Woogye-Ri, Sangdong-Myun, Kimhae-Si,

KyungNam, Korea