

EZ-View[®] flow meters

For oil and water

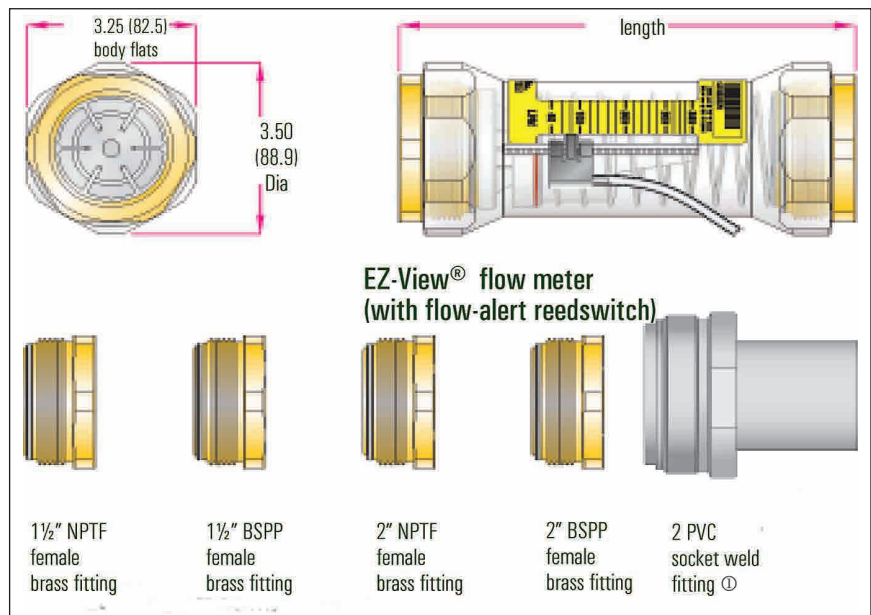
- 1½ to 2 inch ports
- No special piping or flow straighteners needed
- EZ to install, in any position
- No electrical connections
- Direct reading indication
- Accuracy within ±5% full scale
- Relatively insensitive to shock and vibration

Technical data

Materials	Radel [®] R plastic body; polysulfone piston and cone T300-series stainless spring Buna N flow indicator ring and pressure seals 360 Brass or PVC fittings Polypropylene limit indicators
Fittings / threads	NPT ANSI/ASME B1.20.1, BSPP ISO228 See ordering information table next page.
Temperature range	0 °C to +121 °C (+32 °F to +250 °F)
Pressure rating	325 psi / 22.4 bar maximum
Pressure drop	See differential pressure chart
Accuracy	±5% of full scale
Repeatability	±1%
Dimensions	See ordering information table next page.



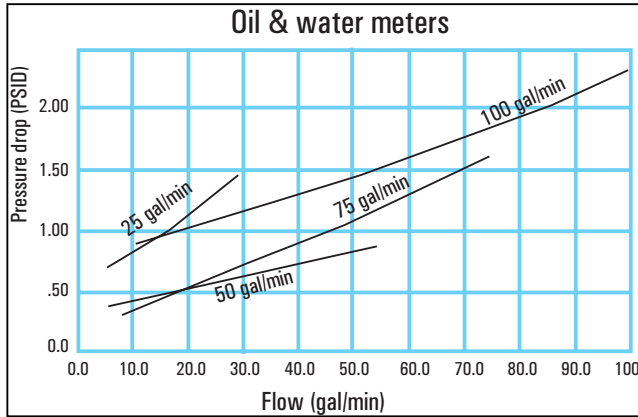
EZ-View[®] with Radel[®] R body



①Meters with type 1 PVC fittings: Pressure rating per normal PVC system specifications.
Temperature range 0 °C to +60 °C (+32 °F to +140°F)

EZ-View[®] flow meters

For oil and water



Ordering information

Fluid media	Flow range		1½" NPTF female, brass fitting	1½" BSPP female, brass fitting	2" NPTF female, brass fitting	2" BSPP female, brass fitting	2" PVC socket weld fitting ^①
	gal/min	l/min					
Oil 0.876 s.g.	2 – 25	10 – 95	H615-125-R	H616-125-R	H617-125-R	H618-125-R	
	5 – 50	20 – 190	H615-150-R	H616-150-R	H617-150-R	H618-150-R	
	7 – 75	30 – 280	H615-175-R	H616-175-R	H617-175-R	H618-175-R	
	10 – 100	40 – 380	H615-110-R	H616-110-R	H617-110-R	H618-110-R	
Water 1.0 s.g.	2 – 25	10 – 95	H615-025-R	H616-025-R	H617-025-R	H618-025-R	H619-025-R
	5 – 50	20 – 190	H615-050-R	H616-050-R	H617-050-R	H618-050-R	H619-050-R
	7 – 75	30 – 280	H615-075-R	H616-075-R	H617-075-R	H618-075-R	H619-075-R
	10 – 100	40 – 380	H615-010-R	H616-010-R	H617-010-R	H618-010-R	H619-010-R
Dimensions	Length ^② in (mm)		8.72 (221.5)	8.72 (221.5)	8.72 (221.5)	8.72 (221.5)	11.48 (291.6)
	Fitting Flats in (mm)		3.00 (76.2)	3.00 (76.2)	3.00 (76.2)	3.00 (76.2)	N/A
	Weight lb (kg)		4.10 (1.86)	4.10 (1.86)	3.10 (1.41)	3.10 (1.41)	1.70 (0.77)

① Fits 2" Sch 40/80 PVC, CPVC pipe.

② Length includes end fitting.