

OPERATING MANUAL

QMPS

OPERATION MANUAL

Panel-Mounted Multi Functional Speaker

Thank you for purchasing Qlight products.

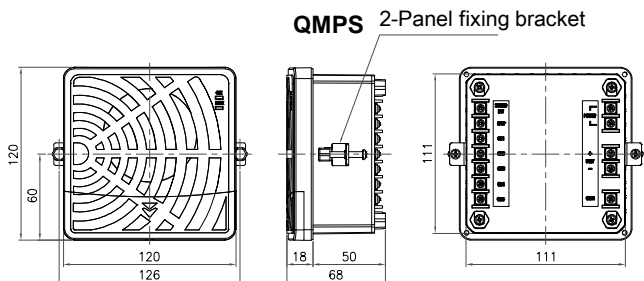
Please read carefully and follow the instruction in order to prevent product damage.

1 Product Features

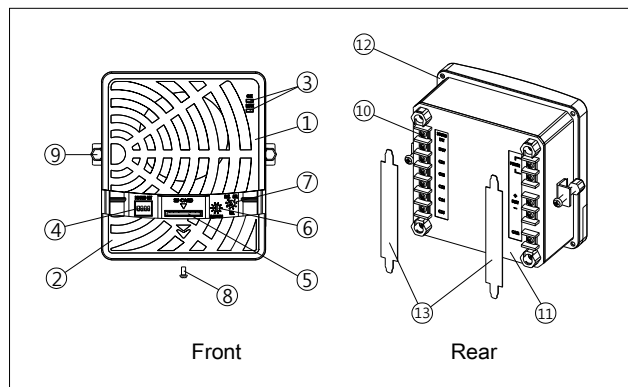
- Can prevent cross talk of different voice environments by selecting an audio signal for the special environment and condition
- 30 pre-recorded sounds, binary input mode has built-in 30 messages that can be played with switch for sound
- Bit input mode is organized into 6 groups of 5 sound tones for a total of 30 sound tone options. Playback can be selected from one of the 5 tones in each group (MP3 file with bit input mode)
- Volume adjustment and sound selection switches located inside the unit
- SD card type can play MP3 voice messages, user can select and change the sound message after record it
- Sound volume : Max 98dB at 1m (Warning Sounds)
Max 95dB at 1m (MP3 Sounds)
- Materials : Housing-ABS, Cover-ABS
- Protection rating : IP54
- Ambient operating temperature : -25°C to +50°C
- Weight: 0.45kg(DC Type), 0.53kg(AC Type)

2 Specifications & Technical Diagram

| Model Number | Voltage | Current | Sound Volume | Input Method # of Chanel |
|--------------|-----------------|------------|--------------------------------|-----------------------------|
| QMPS | DC12V~ 24V | Max.0.750A | Warning Sounds:98±3dB at 1m | Bit Input: 5Ch |
| | AC110V~ 220V | Max.0.100A | MP3 Sounds:95±3dB at 1m | Binary Input: 30Ch |

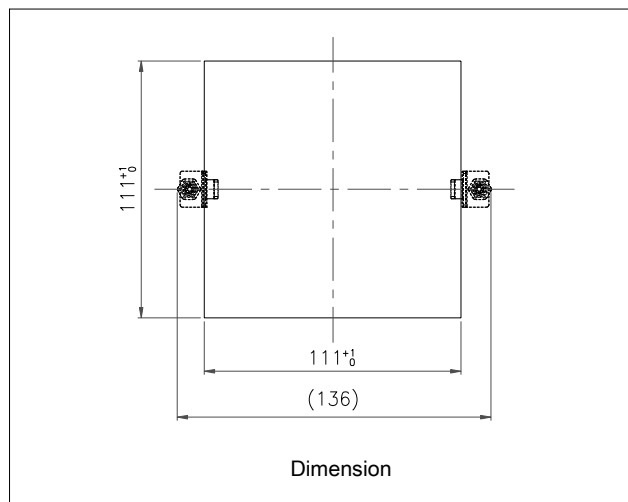


3 Part Names



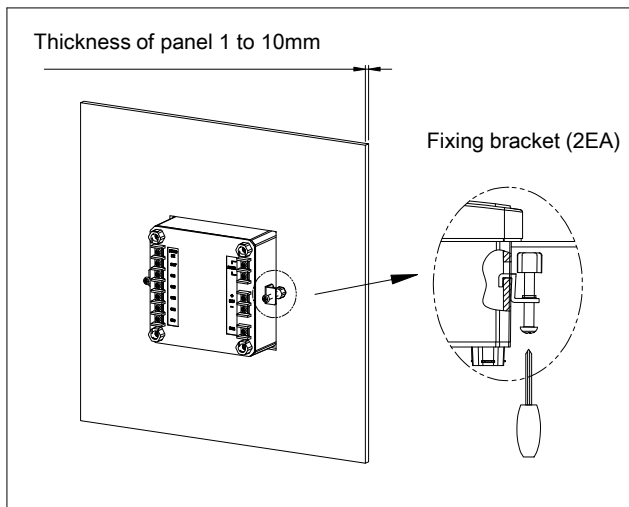
- ① Body
- ② Front Cover
- ③ LED Light(Up-Power, Down-Operation)
- ④ Switch for Sound selection
- ⑤ SD card slot for MP3 recording
- ⑥ Switch for play Mode selection
- ⑦ Switch for Volume adjustment
- ⑧ Front cover fixing bolt(M3x6)
- ⑨ Mount Bracket
- ⑩ Terminal Block(M3 Type Only)
- ⑪ Rear cover
- ⑫ Waterproof sealing
- ⑬ Terminal Box Cover

4 Installation

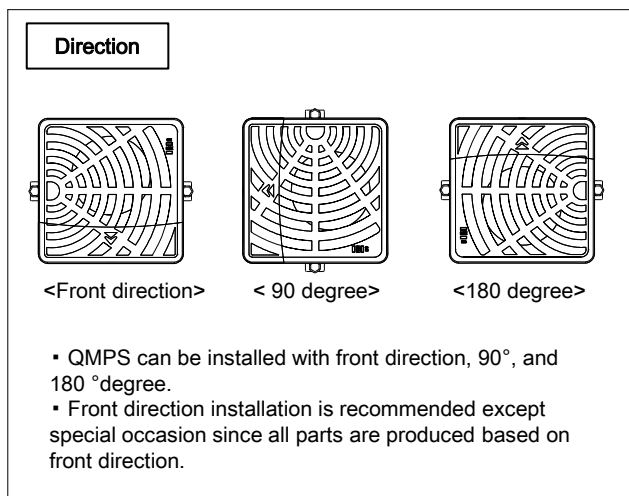


- This panel mounted model is designed for indoor use.
- Please drill a hole in panel before installation. (Please refer to measurements above for installation)
- For outdoor application, please make sure the product is not damaged from rain.
- Please avoid applying the product in environment with moist, dirt, vibration and shock.

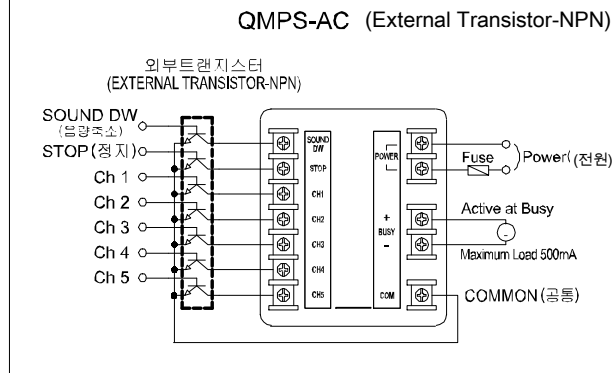
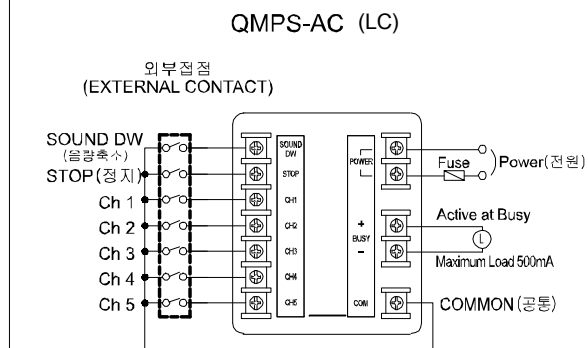
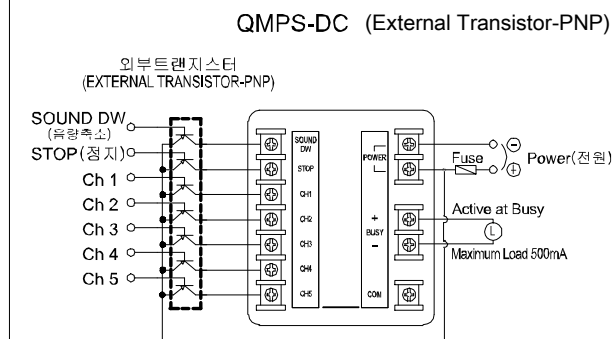
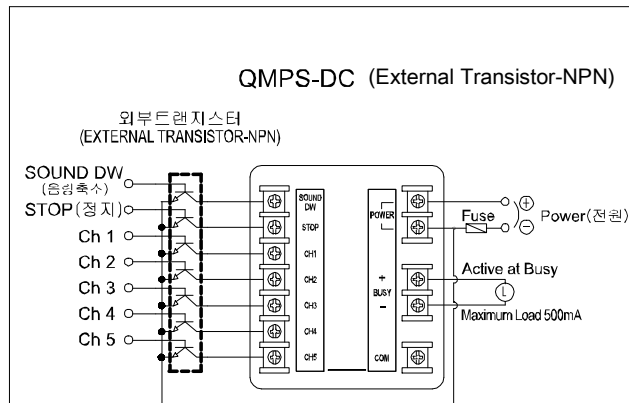
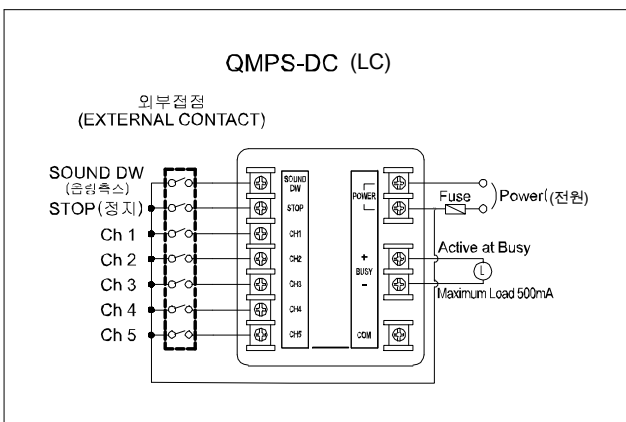
OPERATING MANUAL



- Fix the product by using two brackets provided with the product. Please confirm if QMPS is fixed well after installation of the product.
- In order to install QMPS, thickness of panel should be 1 to 10mm.
- Warning : Product may be damaged if customer uses inappropriate tools or method during product installation.



5 Wiring Instructions



OPERATING MANUAL

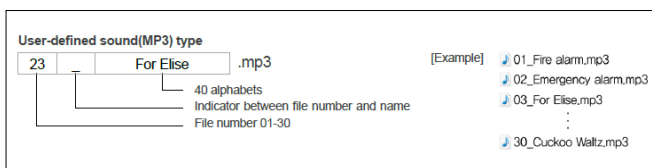
6 Operational Sequence

Pre-recorded sound

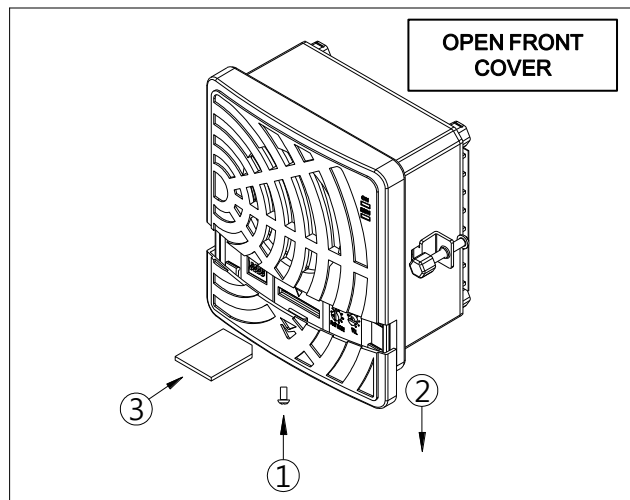
- ① Set the sound switch no.1 off.
- ② PLAY MODE control switch-Choose play mode(Bit input/Binary input)
- ③ SOUND set-up switch- Select sound group using no.2,3 and 4
- ④ In case of bits input, 5 sound tones can be played(CH1~5)
- ⑤ For Binary input, 30 sound tones can be played.(CH1~5)

MP3(SD card)

- ① Capacity is 32Gbyte.(File Format : Fat32)
- ② Create"MP3_FILE"folder in SD card and save the file by following below instruction.
- ③ Number of characters shall not exceed 40 alphabets.

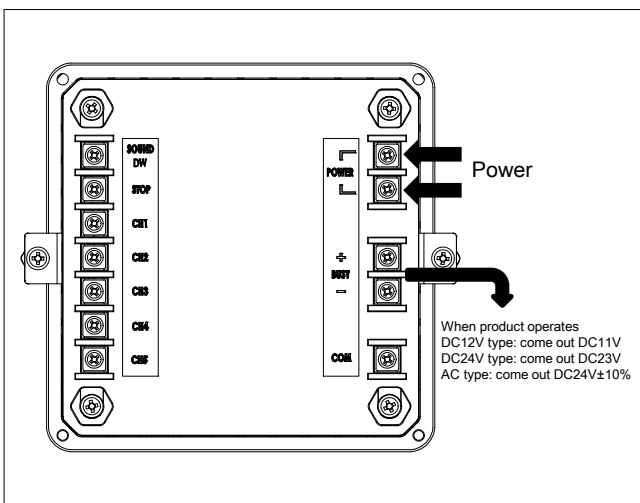


- ④ Insert SD card into the card slot
- ⑤ Set the sound switch-no.1 ON
- ⑥ PLAY MODE control switch-Choose play mode(Bit input/Binary input)
- ⑦ For bits input, 5 sound tones can be played(CH1~5)
- ⑧ For Binary input, 30 sound tones can be played.(CH1~5)

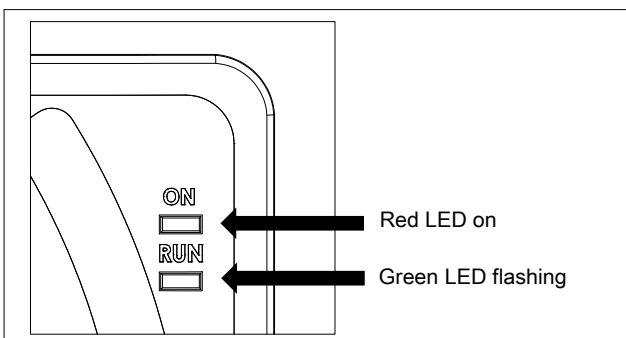


3. Turn M3 bolt left by using plus screwdriver.
4. Move front cover down.(Warning : Using too much force may be reason of front cover separation while move it down.)
5. In case of using pre-recorded sound, set the sound switch-no.1 OFF.

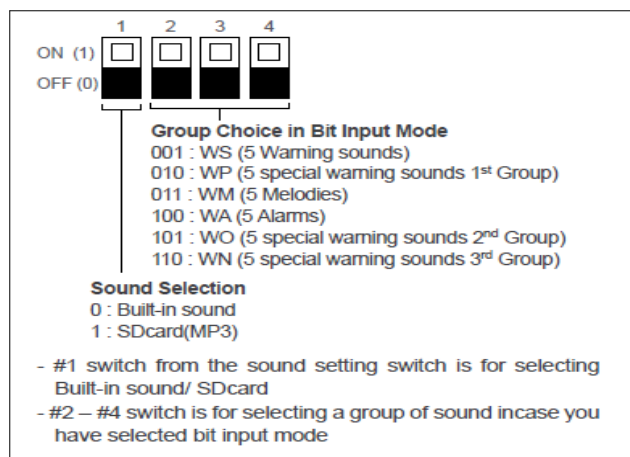
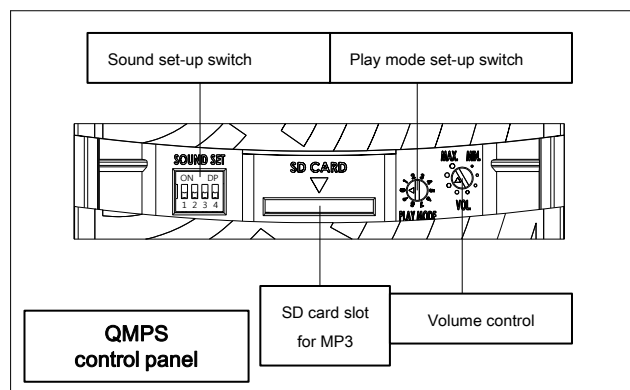
7 How to Operate



1. Wire power supply into POWER connector.

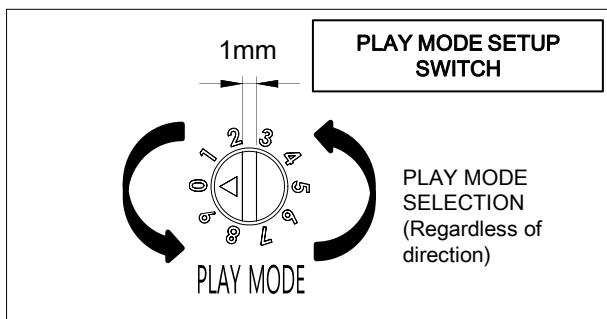


2. Red indicator light turns on.



6. In case of using SD card(MP3), set the sound switch-no.1 ON.

OPERATING MANUAL



7. PLAY MODE setting switch is used to choose the channel input method or select various play modes.

- Rotate each space when choose PLAY MODE by using a flat-head screwdriver regardless of direction.

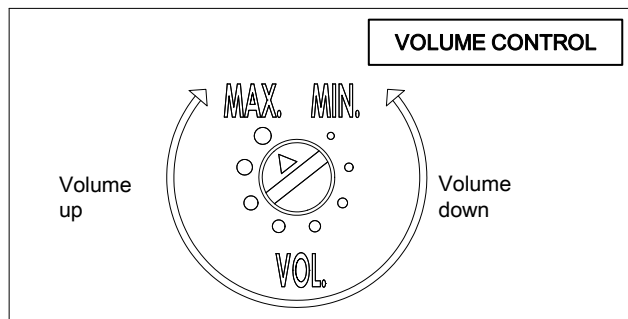
8. Refer to the table below for switch features.

*Switch #0 and #9 are not used.

| | | |
|---|-----------|--|
| 8 | Test Mode | In test mode, Ch1 of group is automatically played back repeatedly. To end the test mode, switch back to the other modes. |
|---|-----------|--|

9. VOLUME CONTROL

- You can adjust the speakers sound output by using the volume dial.



10. Insert flat-head driver into the hole. In case of turn right, volumes up and turn left, volumes down. (Sound is disabled once the dial turns right to MIN.)

| PLAY MODE | | |
|-----------|---|--|
| 1 | Bit Input Mode | 5 sounds can be played from the selected group (choose one group from six groups) |
| 2 | Binary Input Mode | Up to 30 sounds available for each model. Plays sound only once (sequential signal input only) |
| 3 | Bit Input Hold Playback Mode | 5 sounds can be played from the selected group (choose one group from six groups) The sound is repeated if the input signal is maintained. (sequential signal input only) If the STOP signal is inputted, the sound is turned off, and if the STOP signal is disabled the sound is played repeatedly |
| 4 | Binary Input Hold Playback Mode | Up to 30 sounds available for each model The sound is repeated if the input signal is maintained. (sequential signal input only) If the STOP signal is inputted, the sound is turned off, and if the STOP signal is disabled the sound is played repeatedly |
| 5 | Bit Input Sound Reduction Mode | 5 sounds can be played from the selected group (choose one group from six groups) You can reduce the volume(15dB) by using a separate volume reduction signal line (same as volume reduction signal input) |
| 6 | Binary Input Sound Reduction Mode | Up to 30 sounds available for each model. You can reduce the volume(15dB) by using a separate volume reduction signal line (same as volume reduction signal input). |
| 7 | Bit Input Sequence Memory Playback Mode | 5 sounds can be played from the selected group (choose one group from six groups) If the sound is inputted in a order, it will remember the order and play each sound about 3 seconds . The last input channel is fully played (bit input mode only) |

8 Sound pattern & combination

1. Multi functional product has 30 pre-recorded sound tones.
2. 30 sound tones in binary input mode supported. Bit input mode has 5 sound tones within 1 group among 6 groups.

| B t input type sound pattern group composition | | | |
|--|--------------------------------------|-----|---------------------------------------|
| | Sound | CH | Sound Tone |
| WS | 5 Warning Sounds | CH1 | Fire.A-ANG(560Hz~1.5kHz) |
| | | CH2 | Emergency WA-U(Yelp) (600Hz~1.5kHz) |
| | | CH3 | Ambulance PI-PO(Hi-low) (450Hz~900Hz) |
| | | CH4 | Pi ik Pi ik(820Hz) |
| | | CH5 | Machinery Fault(1kHz) |
| WP | 5 Special Warning Sounds (1st Group) | CH1 | Fire.A-ANG(560Hz~1.5kHz) |
| | | CH2 | Abandon Alarm(820Hz) |
| | | CH3 | Pi ik Pi ik(820Hz) |
| | | CH4 | High Expansion(1kHz) |
| | | CH5 | 7 Short PI. / 1 Long(1kHz) |
| WM | 5 Melodies | CH1 | Sweet Home |
| | | CH2 | For Elise |
| | | CH3 | Cuckoo's Waltz |
| | | CH4 | Piano Sonata |
| | | CH5 | Turkish March |
| WA | 5 Alarms | CH1 | Beep Interm tent |
| | | CH2 | Door Chime |
| | | CH3 | Phone Ring |
| | | CH4 | PI.PI.PI Short |
| | | CH5 | Tripping Beat |

OPERATING MANUAL

| GROUP | | CH | Sound tone |
|-------|--------------------------------------|-----|--------------------------------------|
| WO | 5 Special Warning Sounds (2nd Group) | CH1 | Rel rel rel(730Hz~920Hz) |
| | | CH2 | Slow Ambulance PI-PO (820Hz~1.05kHz) |
| | | CH3 | Wye yong Wye yong (770Hz~1.2kHz) |
| | | CH4 | Phone ring 2(740Hz~910Hz) |
| | | CH5 | Fire.A-ANG(770Hz~1.11kHz) |
| WN | 5 Special Warning Sounds (3rd Group) | CH1 | Oit Oit(500Hz~1.11kHz) |
| | | CH2 | Pi o Pi o(940Hz~2.19kHz) |
| | | CH3 | Slow Di o Di o(680Hz~840Hz) |
| | | CH4 | Li long Li ling (420Hz~470Hz) |
| | | CH5 | 911 Siren(150Hz~1kHz) |

3. Left channel switch allows the user to select from 30 available sound tones.

4. Channel switch will be substituted for external wiring in case of LC type products.

| Binary input type sound pattern group composition | | | | | | |
|---|--|--|--|--|--|--------------------------------------|
| ON = 1 / OFF = 0 | | | | | | |
| | CH1 | CH2 | CH3 | CH4 | CH5 | Sound pattern |
| ON OFF | <input type="checkbox"/> <input type="checkbox"/> | <input type="checkbox"/> <input type="checkbox"/> | <input type="checkbox"/> <input type="checkbox"/> | <input type="checkbox"/> <input type="checkbox"/> | <input type="checkbox"/> <input type="checkbox"/> | |
| NO. | 1 | 2 | 3 | 4 | 5 | |
| 0 | 0 | 0 | 0 | 0 | 0 | No sound |
| 1 | 0 | 0 | 0 | 0 | 1 | Fire.A-ANG(560Hz-1.5kHz) |
| 2 | 0 | 0 | 0 | 1 | 0 | Emergency WA-U(Yelp)(600Hz~1.5kHz) |
| 3 | 0 | 0 | 0 | 1 | 1 | Ambulance PI-PO(Hi-low)(450Hz~900Hz) |
| 4 | 0 | 0 | 1 | 0 | 0 | Di-ik(800Hz) |
| 5 | 0 | 0 | 1 | 0 | 1 | Pi-ik Pi-ik(820Hz) |
| 6 | 0 | 0 | 1 | 1 | 0 | Machinery Fault(1kHz) |
| 7 | 0 | 0 | 1 | 1 | 1 | Alarm(1kHz) |
| 8 | 0 | 1 | 0 | 0 | 0 | Sweet Home |
| 9 | 0 | 1 | 0 | 0 | 1 | For Elise |
| 10 | 0 | 1 | 0 | 1 | 0 | Cuckoo's Waltz |
| 11 | 0 | 1 | 0 | 1 | 1 | Piano Sonata |
| 12 | 0 | 1 | 1 | 0 | 0 | Turkish March |
| 13 | 0 | 1 | 1 | 0 | 1 | Magic Flute |
| 14 | 0 | 1 | 1 | 1 | 0 | Badinerie |
| 15 | 0 | 1 | 1 | 1 | 1 | Pineapple Rag |
| 16 | 1 | 0 | 0 | 0 | 0 | Beep Intermittent |
| 17 | 1 | 0 | 0 | 0 | 1 | Door Chime |
| 18 | 1 | 0 | 0 | 1 | 0 | Phone Ring |
| 19 | 1 | 0 | 0 | 1 | 1 | PI.PI.PI Short |
| 20 | 1 | 0 | 1 | 0 | 0 | Tripping Beat |
| 21 | 1 | 0 | 1 | 0 | 1 | Rel rel rel(730Hz~920Hz) |
| 22 | 1 | 0 | 1 | 1 | 0 | Slow Ambulance PI-PO (820Hz~1.05kHz) |
| 23 | 1 | 0 | 1 | 1 | 1 | Wye yong Wye yong(770Hz~1.2kHz) |
| 24 | 1 | 1 | 0 | 0 | 0 | Phone ring 2(740Hz~910Hz) |
| 25 | 1 | 1 | 0 | 0 | 1 | Fire.A-ANG(770Hz~1.11kHz) |
| 26 | 1 | 1 | 0 | 1 | 0 | Oit Oit(500Hz~1.11kHz) |
| 27 | 1 | 1 | 0 | 1 | 1 | Pi o Pi o(940Hz~2.19kHz) |
| 28 | 1 | 1 | 1 | 0 | 0 | Slow Di o Di o(680Hz~840Hz) |
| 29 | 1 | 1 | 1 | 0 | 1 | Li long Li ling(420Hz~470Hz) |
| 30 | 1 | 1 | 1 | 1 | 0 | 911 Siren(150Hz~1kHz) |

9 Caution

- If using voltage is seriously higher or lower than rated voltage, it can reduce the self-life of the product or can cause a problem on product operating. Make sure the using voltage does not exceed +/-5% of the rated voltage.
- If lens or body of the product is contaminated by chemicals such as thinner, benzene, the product can be damaged, discolored or deformed. Please be careful.
- Do not give strong impact to the product. It can be a reason of wire disconnection or short circuit.

10 Trouble Shooting

| Situation | Main reason | Solution |
|---|--|-----------------------------------|
| No sound | Wrong Wiring | Making Sure Wiring |
| | No Power Supply | Making Sure power Supply |
| Sound Tone Deterioration or Volume Decreasing | Supplying Voltage Lower Than Rated Voltage | Checking Voltage Selection Switch |
| Output 2 kinds of sounds | Signal sound line short | Making Sure Connection |
| | Problem Sound tone Selection Switch | Contact Qlight or Agent |

11 Inquiry and Customer Service

QLIGHT CO., LTD.

<http://www.qlight.com>

E-mail : trade@qlight.com

Overseas Marketing Team / Factory

Tel) 055-328-4082

Fax)055-328-3883

182-25, Mukbang-Ro, Sangdong-Myeon, Gimhae-Si,

Gyeongsangnam-Do, Korea (178-1, Ugye-Ri)