

Liquid Level Detection

Product

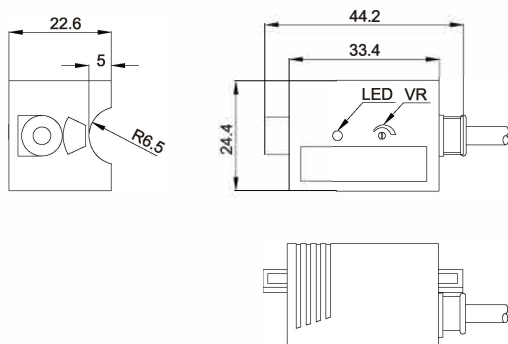


Appearance			
Mounting		Unshielded	
Operating voltage		10~30V DC	
Load Current, Max		150mA	
Voltage drop		< 2.5V	
Current consumption		< 15mA	
Hysteresis		3~20%	
Repeat accuracy		< 3%	
Switch frequency		20Hz	
Indicator		Yellow LED	
Material		Nonmetal	
Pipeline	External diameter	φ 8~φ 11	φ 12~φ 26
	Wall thickness	< 1mm	
Protective circuit		Reverse polarity/Short circuit	
Ambient temperature		-25°C~+75°C	
Degree of protection		IP67	
Housing material		PBT	
Connection		2mPVC Cable	
Model No.	NPN Normally open	CE15-13 NCO	CE30-26 NCO (HOT)
	Others	NCO :NPN Normally open NCC :NPN Normally closed PCO :PNP Normally open PCC :PNP Normally closed	

Dimensions (Unit:mm)

CE15

CE15-13 □□



CE30

CE30-26 □□

