

## Electric horns for vessels and heavy industrial applications featuring excellent sealing, corrosion resistance, and durability

Can select from wall mount type, self stand type, and terminal box type for your various application needs

**SEWN30 - Max 118dB**

**SEWN50 - Max 120dB**

**Aluminum housing**



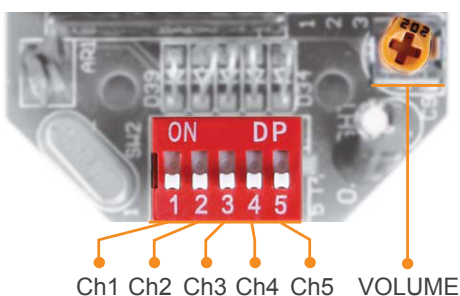
### Common Specifications(SEWN30/ SEWN50)

- Electric horn with tightly sealed structure has excellent durability. Suitable for vessels, steel industry, and outdoor plant applications
- Can select between a variety of mounting options (wall mount type, self stand type, and terminal box type)
- Aluminum housing provides excellent durability
- A variety of sound selection between warning sounds, alarm sounds, melodies and voice messages to fit your sophisticated application needs
- Can adjust sound volume with the dial built inside the unit
- Terminals located inside the terminal box or product
- Cable entry : 1/2"PF
- Materials : Housing-Al, Horn housing-PC/ STS316L
- Standard Housing color : MUNSELL No. 7.5BG 7/2
- Ambient operating temperature : -30°C to +50°C
- Protection rating : IP56, Suitable for outdoor installation
- Certificates : KIMM, ABS, CCS, CE Compliant

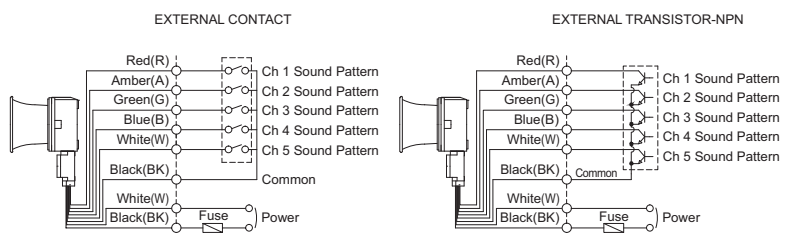
### Sound Selection and Wiring Instructions

• Standard type : Select sound using the switch inside the unit. When you turn on the dip switch for each channel the sound is turned on.

- Customized type : Select sound using the external contact(LC)  
You can select the audible sound pattern using external contacts or transistor with a customized external sound line(Model number : -LC)
- Product can be wired regardless of polarity



SEWN30 SERIES DC/AC  
SEWN50 SERIES DC/AC



# SEWN30 series

Electric Horns for Vessels and Heavy Industries Applications



## SEWN30 series Max 118dB

Model number	Sound pattern	Volume	Voltage / Current	Certificates	Weight
SEWN30E -Wall mount	WS 5 Warning sounds	118dB	DC12V / 2.211A DC24V / 1.022A AC110V / 0.226A AC220V / 0.113A	   DC Only	SEWN30E DC-1.76kg AC-2.11kg
	WP 5 Special warning sounds	118dB			
SEWN30L -Self stand	WM 5 Melodies	118dB			SEWN30L AC-1.74kg AC-2.13kg
	WA 5 Alarms	116dB			
SEWN30T -Wall mount with terminal box	WV 5 Customizable sounds	113dB			SEWN30T DC-2.23kg AC-2.58kg

118dB



SEWN30E



SEWN30L



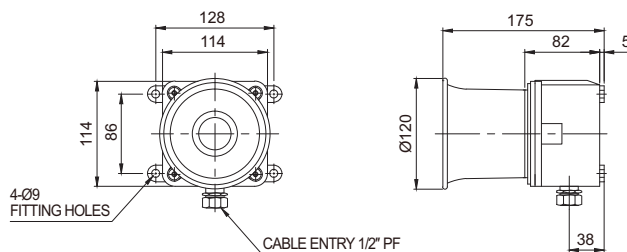
SEWN30T



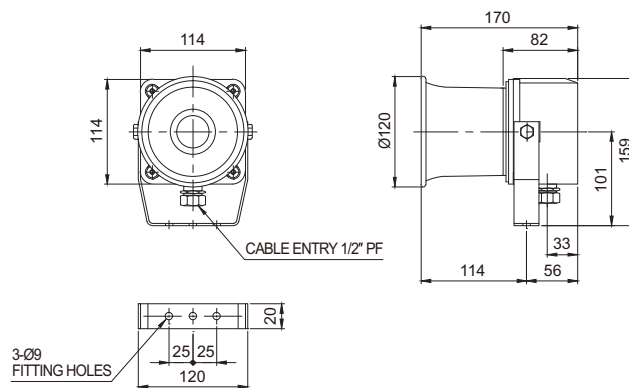
### Technical Diagram

(Units : mm)

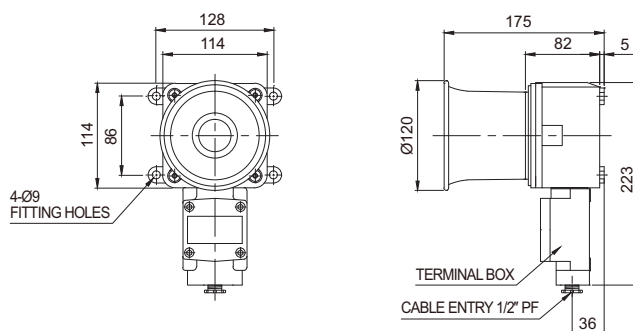
SEWN30E



SEWN30L



SEWN30T



- SEWN30E/ SEWN30L model uses flexible connector at cable entry and SEWN30T model use 15C nipple at cable entry.
- Cable gland is customizable



Flexible connector



15C nipple

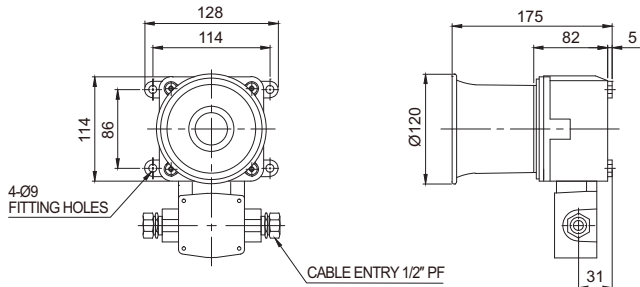


### 2 Cable Entry Terminal Box Type Technical Diagram

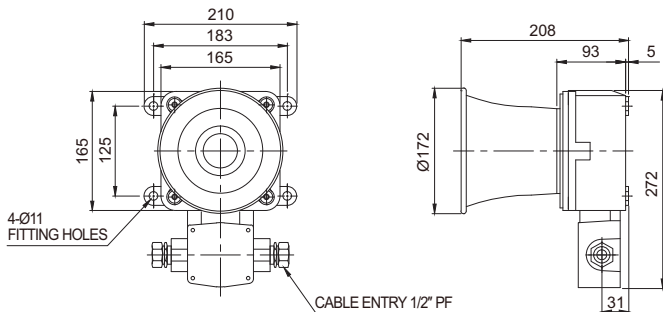
(Units : mm)



SEWN30 2T



SEWN50 2T



### Customization

- Cable gland available
- 3/4"PF cable entry (Standard : 1/2"PF)
- 2 cable entries terminal box :  
Customized terminal box available with two cable entries in opposite directions  
(Model number : SEWN30-2T, SEWN50-2T)
- Brass housing product :  
Brass housing products provide improved corrosion resistance.  
\* Color will be MUNSSELL No. 7.5BG 7/2 when released.
- External threading of sound line (Model number : -LC)



Brass housing product



### Ordering Specification

SEWN30T	WS	220	LC
[Model number]	[Sound]	[Voltage]	[Sound selection]
<ul style="list-style-type: none"> <li>• SEWN30E</li> <li>• SEWN30L</li> <li>• SEWN30T</li> <li>• SEWN50E</li> <li>• SEWN50L</li> <li>• SEWN50T</li> </ul>	<ul style="list-style-type: none"> <li>• WS-Warning</li> <li>• WP-Special warning sounds</li> <li>• WM-Melody</li> <li>• WA-Alarm</li> <li>• WV-Customizable sound</li> </ul>	<ul style="list-style-type: none"> <li>• 12-DC12V</li> <li>• 24-DC24V</li> <li>• 110-AC110V</li> <li>• 220-AC220V</li> </ul>	<ul style="list-style-type: none"> <li>• Standard</li> <li>• Built-in switch</li> <li>• LC</li> <li>• External contact</li> </ul>