

MW86N Series - 3 Types of built-in Sounds

D86mm Wall Mounting Electronics Siren

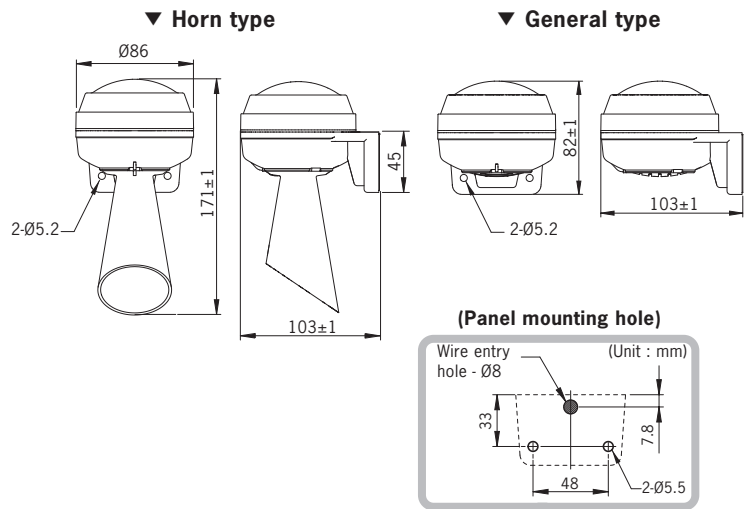


MW86N Series is electronic Horn which has beautiful appearance and outputs high quality sound. It can be easily fixed on the wall without extra equipments even in the narrow space.



- Built-in Button for sound volume adjusting
- Built-in Speaker for 3 Sounds
- Removable Horn is offered

Dimensions (unit: mm)



Ordering Information

MW86N - FF - M3 (B) ※ Options

① ② ③ ④

1. Series

MW86N	Electronic siren
-------	------------------

3. Select Sound type

M3	3 Melody sounds
S3	3 Siren sounds
▶ 3 Melody	For Elise Home, Sweet Home Cuckoo Walts
▶ 3 Siren	Fire siren Police siren Ambulance siren

2. Power Supply

00	12 ~ 24VAC/DC
FF	90 ~ 240VAC

4. Body Color (Option)

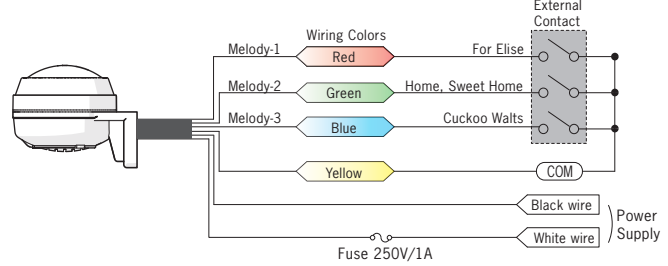
	Ivory
(B)	Black

Specifications

Power Supply	12 ~ 24VAC/DC , 90 ~ 240VAC (AC. 50/60Hz)	
Wiring	Lead wire	
Material	Body , Cap - ABS resin	
Mounting	Wall mounting (upright only)	
Ambient Temperature	-20 to 40°C	
Storage Temperature	-20 to 70°C	
Ambient Humidity	45~85% RH	
Inner Vibration	0.75mm at 10~55Hz	
Wire specifications	2464UL / 22AWG	
Approvals	RoHS	
	General Type	Horn Type
Sound volume (1m)	55 ~ 85±5dB	55 ~ 90±5dB
Degree of Protection	IP43	IP54
Weight (AC type basis)	App. 198g	App. 224g

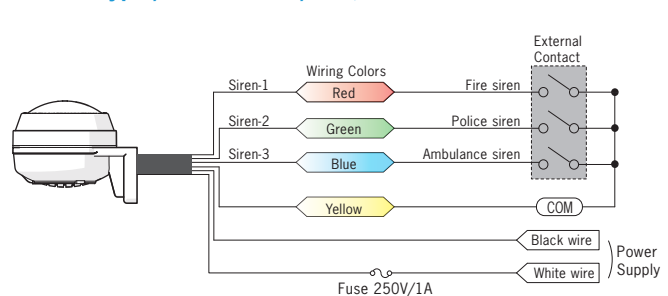
Wiring Diagram

▶ Melody type / 12 ~ 24VAC/DC , 90 ~ 240VAC



* No polarity for DC applications. (DC 극성 없음)

▶ Siren type / 12 ~ 24VAC/DC , 90 ~ 240VAC



* No polarity for DC applications. (DC 극성 없음)

Current consumption

12 - 24VAC	90 - 240VAC
Max. 0.52A ±10%	Max. 0.06A ±10%

Sound Setting table

Note: See page 37