



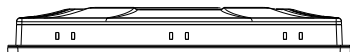
### Feature

- 10.1" 1024 x 600 TFT LCD, LED Backlight
- Fan-less Cooling System
- COM2 and COM3 RS-485 support MPI 187.5K, please use one at a time.
- PCB coating process ensures high reliability to resist from corrosion in harsh environment.
- Built-in Power Isolation
- CAN Bus Supports CANopen, CAN Bus 2.0A/2.0B and SAE J1939
- NEMA4 / IP65 Compliant Front Panel
- WiFi compatible with 802.11 b/g/n
- Built-in EasyAccess 2.0 License

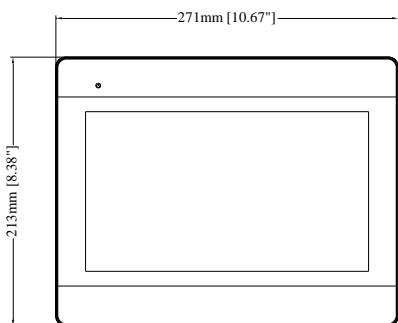
<b>Display</b>	Model	cMT3103
	Display	10.1" TFT
	Resolution	1024 x 600
	Brightness (cd/m <sup>2</sup> )	350
	Contrast Ratio	500:1
	Backlight Type	LED
	Backlight Life Time	>50,000 hrs.
	Colors	16.7M
	LCD Viewing Angle (T/B/L/R)	60/60/70/70
<b>Touch Panel</b>	Type	4-wire Resistive Type
	Accuracy	Active Area Length(X)±2%, Width(Y)±2%
<b>Memory</b>	Flash	4 GB
	RAM	1 GB
<b>Processor</b>		32 bits RISC Cortex-A9 1GHz
<b>I/O Port</b>	SD Card Slot	N/A
	USB Host	USB 2.0 x 1
	USB Client	N/A
	Ethernet	10/100 Base-T x 1
	WiFi	IEEE 802.11 b/g/n 802.11b: max 19.25 dBm 802.11g: max 13.74 dBm 802.11n: max 15.01 dBm
	COM Port	Con.A: COM2 RS-485 2W/4W, COM3 RS-485, CAN Bus Con.B: COM1/COM3 RS-232*
	RS-485 Dual Isolation	N/A
	CAN Bus	Yes
	Audio Output	N/A
	Video Input	N/A
<b>RTC</b>		Built-in
<b>Power</b>	Input Power	10.5~28VDC
	Power Isolation	Built-in
	Power Consumption	2A@12V ; 1A@24V
	Voltage Resistance	500VAC (1 min.)
	Isolation Resistance	Exceed 50MΩ at 500VDC
	Vibration Endurance	10 to 25Hz (X, Y, Z direction 2G 30 minutes)
<b>Specification</b>	PCB Coating	Yes
	Enclosure	Plastic
	Dimensions WxHxD	271 x 213 x 36.4 mm
	Panel Cutout	260 x 202 mm
	Weight	Approx. 1.07 kg
	Mount	Panel mount
<b>Environment</b>	Protection Structure	NEMA4 / IP65 Compliant Front Panel
	Storage Temperature	-20° ~ 60°C (-4° ~ 140°F)
	Operating Temperature	0° ~ 50°C (32° ~ 122°F)
	Relative Humidity	10% ~ 90% (non-condensing)
<b>Certificate</b>	CE	CE marked
	UL	Application in progress
<b>Software</b>		EasyBuilder Pro

\*Only Tx & Rx (no RTS/CTS) may be used for COM1 RS-232 when COM3 RS-232 is also used.

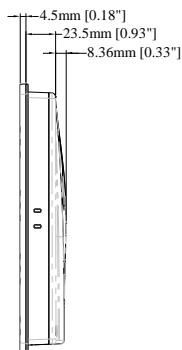
## Dimensions



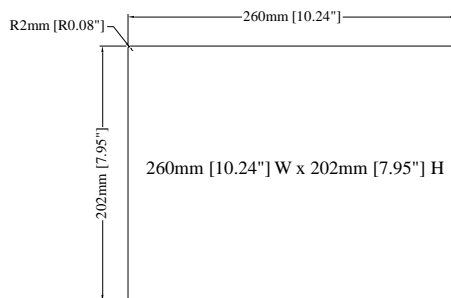
Top View



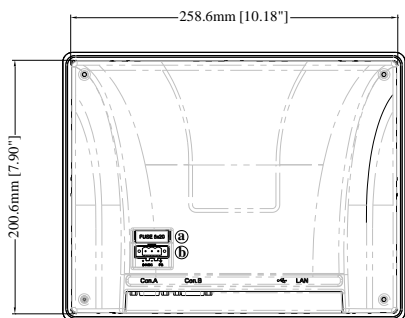
Front View



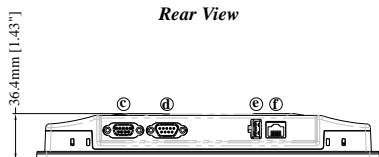
Side View



Cutout Dimensions



Rear View



Bottom View

<b>a.</b>	Fuse
<b>b.</b>	Power Connector
<b>c.</b>	Con.A: COM2 RS-485 2W/4W, COM3 RS-485 2W, CAN Bus
<b>d.</b>	Con.B: COM1 RS-232 / COM3 RS-232
<b>e.</b>	USB Host Port
<b>f.</b>	LAN

## Ordering Information

- cMT3103:**  
10.1" 1024 x 600 TFT LCD HMI, Built-in 4GB flash memory / 1GB DDR3 RAM on board, Built-in EasyAccess 2.0 License
- RZUSK7010 (included in package)**  
USB Clamp & Tying Strap
- RP0C3A300 (included in package)**  
10.1" Screen Protective Film

### Pin Assignment:

Con.B: COM1 / COM3 [RS232], 9 Pin, Male, D-sub

PIN#	COM1 [RS232]	COM3 [RS232]
1		
2	RxD	
3	TxD	
4		
5	GND	
6		
7	RTS	TxD
8	CTS	RxD
9		

Con.A: COM2 / COM3 [RS485]/ CAN Bus, 9 Pin, Female, D-sub

PIN#	COM2 [RS485]2W	COM2 [RS485]4W	COM3 [RS485]	CAN Bus
1	Data-	Rx-		
2	Data+	Rx+		
3		Tx-		
4		Tx+		
5	GND			
6			Data-	
7				CAN_L
8				CAN_H
9			Data+	

### ООО "РусАвтоматизация"