

LEST R80 Illuminated emergency stop button 80mm diameter

- Integrated combination of emergency stop and indication functions, easy to apply
- 40mm mushroom button, TUV certified, safe and reliable
- Large luminous area and high visibility



Model	Button release color	button press color	Connection method
LEST R80	G	R1	LN
	Y: yellow	R: red steady light	LN: Scattered line
	G: green	R1: red flashing	QD: quick connector with wire
	N: none		

Specifications

Supply voltage and current:

DC 12~30V
 Maximum current (without load) 150mA@12V;
 80mA@24V; 60mA@30V

power switch button:

Insulation resistance: 100MΩ or more;
 pulse withstand voltage: 2500V AC for 1 minute
 Life ≥ 250,000 times

LED light color:

Support red, green, yellow

LED blink rate:

1.6HZ, 50% duty cycle

Input is valid:

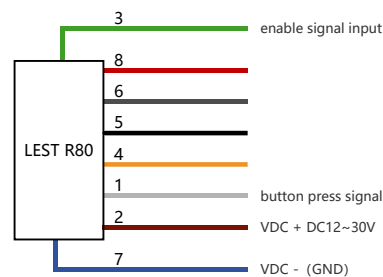
>7.2V, input impedance 10K

Electrical Protection:

Overcurrent, overvoltage protection;
 reverse connection protection

Protection class:

IEC IP65



Connection method:

1 m loose wire cable terminated or
 0.3 m long cable with M12 quick connector

Operating environment:

Ambient temperature: - 20 °C to 50 ° C (- 40 ° F to 122 ° F)
 Maximum ambient humidity: 95% at 50 °C (non-condensing)

Shell material:

Cover and base: ABS(70%) + Polycarbonate (30%)
 Middle ring light cover: Polycarbonate

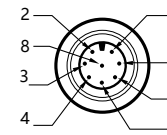
Vibration resistance:

10 to 500 Hz, amplitude 0.35 mm, acceleration 50m/s²

Impact resistance:

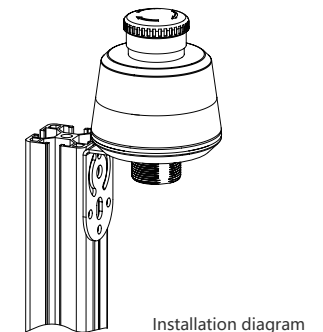
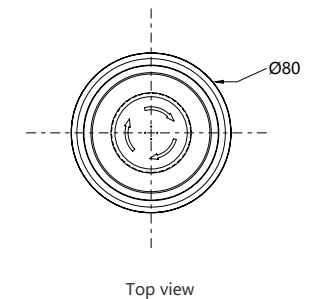
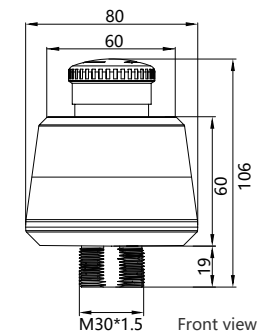
150 m / s²

Certification:



*QD quick connector schematic description

Dimensions



Line order	Line color	Illustrate	Function
1	white	Normally open switch NO1 pin B output	button press signal Connect to DI of PLC, control light color C3
2	brown	Normally open switch NO1 pin A output VDC+ DC12~30V	Control light color C1
3	green	Enable signal input Active high	Connect to the DO of the PLC to control the light color C2
4	yellow	Normally closed switch NC2 pin A output	The wire head is the terminal of the emergency stop switch
5	black	Normally closed switch NC2 pin B output	
6	grey	Normally closed switch NC1 pin A output	
8	red	Normally closed switch NC1 pin B output	
7	blue	GND (0V)	/

* Priority of controlling light color: C1 < C2 < C3

ООО “РусАвтоматизация”

454010 г. Челябинск, ул. Гагарина 5, оф. 507
 тел. 8-800-775-09-57 (звонок бесплатный), +7(351)799-54-26, тел./факс +7(351)211-64-57
info@rusautomation.ru; русавтоматизация.рф; www.rusautomation.ru