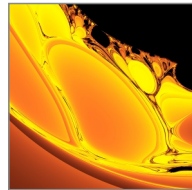
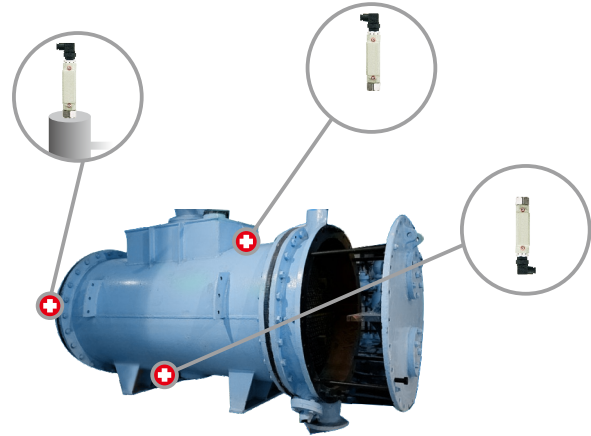


EB43 RF-Admittance level transmitter



DESCRIPTION

With unique mechanical design, EB43 utilizes RF-Admittance principle which is suitable for fluid level detection, including water, water based fluid, fuel oil, lubricant oil, and Freon / Refrigerant. Firm mechanical structure design to ensure reliable & accurate level measurement in various industries.



FEATURES

- Low power consumption (20mA max.)
- High accuracy ($\pm 1.0\% \text{ F.S.}$)
- Applicable for fluid measurement:
 - Refrigerants(ex. R22, R134a, R401a, R404a, R407a, R507)
 - Water based fluid
 - Lubricant oil and fuel oil
 - Petroleum and asphalt
- With button/LED indicator for on site set up.
- Response time less than 1/4 sec.
- Detachable housing design, no leakage during regular maintenance.
- MIL-STD-202F-201A Compliance
- IEC60092, IEC61000-4, IEC60068-2 Compliance

APPLICATIONS

To cope with global warming and environmental regulation, cost of Freon/Refrigerant is increasing. Equipments adopt level transmitter for the purpose of leakage detection & high-efficiency heat exchange management.

EB43 series is applicable for various fluid measurement. With high corrosion proof and anti-alkaline/acid characteristics which can sustain high pressure operation environment. Direct interface with fluid providing output signal of level readings to control system.

Firm mechanical design with IP65 protection rating and MIL-STD-202F-201A compliancy suitable for use in outdoor & harsh environment. Supply voltage output to connect with cloud platform to enhance extensive data management requirement.

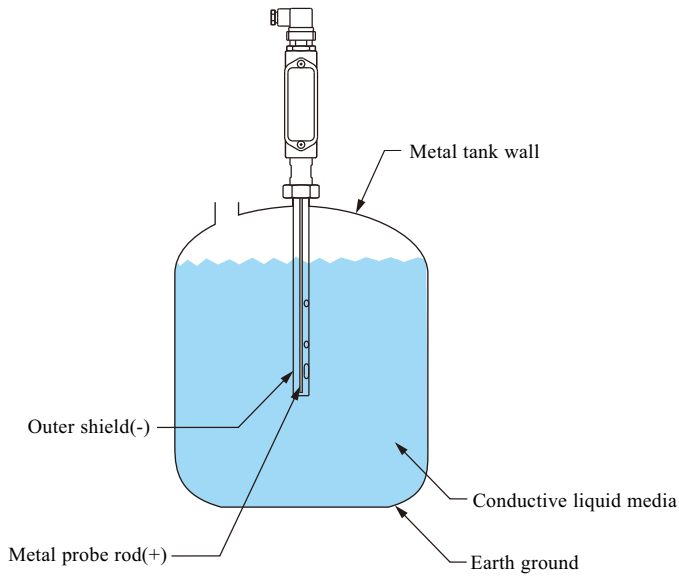
SPECIFICATIONS

Supply voltage	11~36 Vdc	
Output	0~5 Vdc / 1~6 Vdc / 4~20 mA	
Length	1500 mm (max.)	
Linearity	$\pm 1\% \text{ F.S.}$	
User interface	Dual buttons & LED indicators	
Ambient temperature	-40~85 °C	
Operating temperature	-40~85 °C	
Process pressure	52 bar (750 psi)	
IP rating	IP 65	IP 67
Connector	DIN 43650A	M12

INDUSTRY

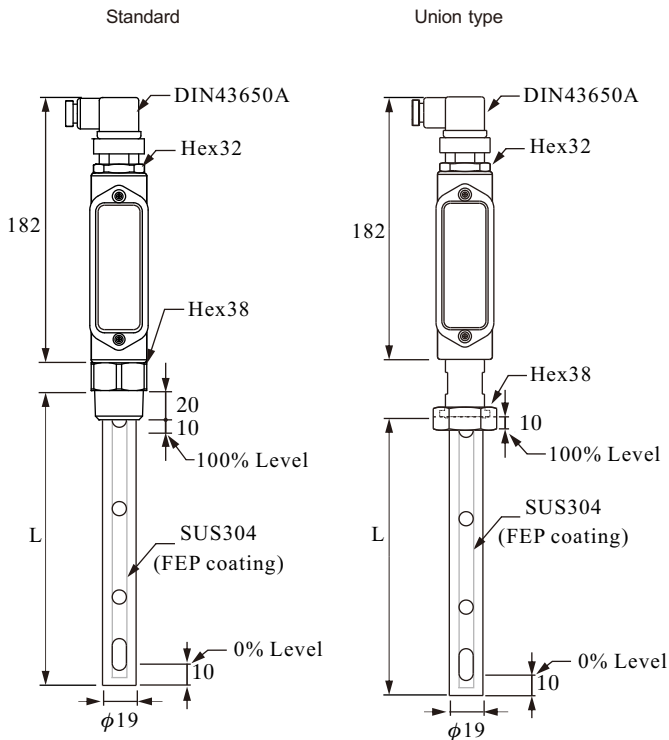
- HVAC
- Flood monitoring
- Chemical processing
- Food machinery
- Sewerage overflow management
- Generator oil level detection
- Pharmaceutical machinery
- Water / Wastewater management
- Engine oil level detection

INSTALLATION DIAGRAM



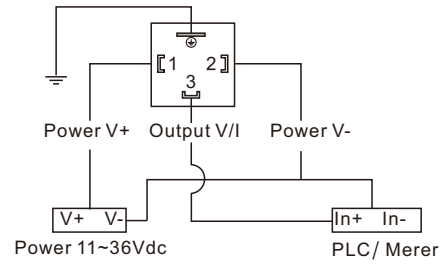
DIMENSION

(Unit:mm)

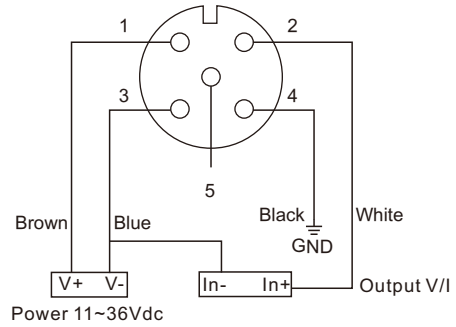


WIRING

<DIN 43650A>



<M12>



ORDER INFORMATION

EB4 3 0 0 - 3 A 0 0 5 0 0

Type
3 : HVAC type

Model
0: Standard
3: Union type

Output
0: Voltage
1: Electric current

Connection

Dimension	Specification
D --- 1"	A --- UNFQ
3 --- 1-1/4"	Q --- PT
E --- 1-1/2"	R --- PF(G)
S --- others	T --- BSP
	U --- NPT
	V --- GAS
	S --- others

※ Min. dimension for union type is 1-1/4", please choose 3A

Signal connection

- 0: DIN 43650A / IP65
- 1: M12 90° / IP67 / 2m
- 2: M12 180° / IP67 / 2m

Probe length (unit: mm)

- 0500: below 500mm
- 1000: 501~1000mm
- 1500: 1001~1500mm

※ Tolerance of the total product length is ± 5 mm.

※ Characteristics, specifications and dimensions are subject to change without prior notice.

※ Further information is available upon request. Please contact FineTek or our local sales representatives.

