

Magnetostrictive Position Sensor BUS Output

- Measuring range 100 - 3000 mm
- 15 bit resolution
- CANbus, CANopen



CANopen Technical specifications

Interface	CAN
Protocol	CANopen, CANbus
Communication profile	CiA301, CiA406 V3.2
Node number	1 up to 127 (default Node ID: 88)
Green LED	Power on, Can communication active
Red LED	Error, Stop mode
Protection	IP65



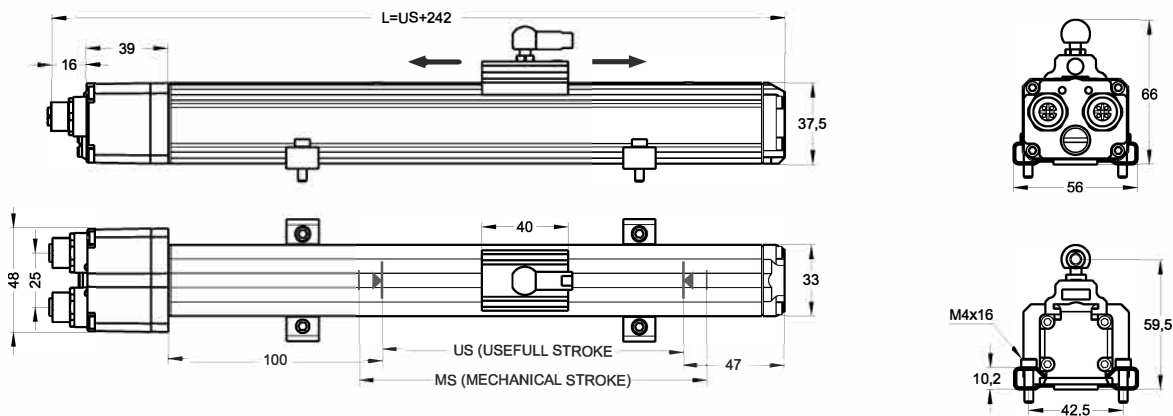
PROFIBUS Technical specifications

Interface	PROFIBUS-DP
Protocol	PROFIBUS-DP V0/V1/V2
Line Driver	Galvanic isolated
Node addressing	By switches or software
Baud rate	Max. 12 Mbit/s
Green LED	Power on, PROFIBUS communication active
Red LED	Error, Stop mode
Protection	IP65



EtherCAT Technical specifications

Interface	EtherCAT Ethernet control automation technology
Protocol	EtherCAT 100 Base-Tx, Fast Ethernet
Baud rate	Max. 100 Mbit/s
Green LED	Power on, EtherCAT communication active
Red LED	Error, Stop mode
Protection	IP65



DMSW (mm)	100	150	200	250	300	350	400	450	500	550	600	650	700	750	800	850	900	1000	1100	1200	1300	1400	1500	1600	1700	1800	1900	2000
US (Usefull Stroke)	140	190	240	290	340	390	440	490	540	590	640	690	740	790	840	890	940	1040	1140	1240	1340	1440	1540	1640	1740	1840	1940	2040
MS (Mechanical Stroke)	160	210	280	310	360	410	460	510	560	610	660	710	760	810	860	910	960	1060	1160	1260	1360	1460	1560	1660	1760	1860	1960	2060
L (Total Length)	342	392	442	492	542	592	642	692	742	792	842	892	942	992	1042	1092	1142	1242	1342	1442	1542	1642	1742	1842	1942	2042	2142	2242

Model	Measurement stroke	Protocol	Protocol	Termination	Supply	Connector / Cable
(example) DMSW	200	COB	5BR	1S0	V4	2C5
DMSW	100 ... 3000 mm	COB: CANopen CAB: CANbus PFB: ProfiBUS ETN: EtherCAT SSI : SSI	0BR : 10 Kbit/s 1BR : 20 Kbit/s 2BR : 50 Kbit/s 3BR : 100 Kbit/s 4BR : 125 Kbit/s 5BR : 250 Kbit/s 6BR : 500 Kbit/s 7BR : 800 Kbit/s 8BR : 1 Mbit/s	120R Bus termination resistor 1S0: Switch off 1S1: Switch on	V4: 24 VDC	1C5: 5 pin, 1 connector (M12x1) 2C5: 5 pin, 2 connector (M12x1)