

# SN/ SEHN25

Electric Horns for Vessels and Heavy Industrial Applications



## Steel Housing

105dB



SN

115dB



SEHN25



### Common Specifications(SN/ SEHN25/ SEHN50)

- Steel housing provides excellent vibration and shock resistance under seismic conditions
- A variety of sound selections between warning sounds, alarm sounds, melodies and voice messages to fit your sophisticated application needs
- Can adjust sound volume with the switch built inside the unit
- Materials : Housing-Steel, Horn housing -Steel
- Housing standard color : Red
- Ambient operating temperature : -25°C to +50°C
- Protection rating : IP55, Suitable for outdoor installation
- Certificates : KIMM Compliant

### SN Max 105dB, Self Stand Type

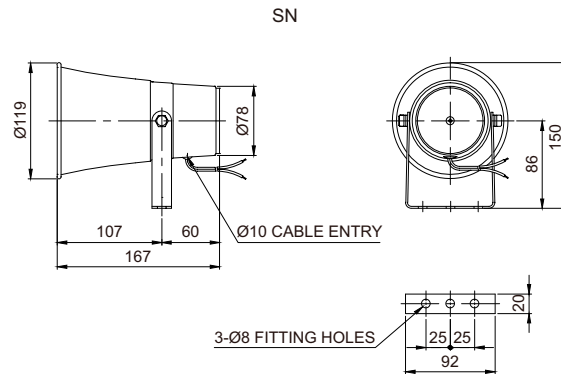
Model number	Sound pattern	Volume	Voltage / Current	Cer ificates	Weight
SN	WS 5 Warning sounds	105dB	DC12V / 0.266A		DC-0 91kg AC-1.06kg
	WM 5 Melodies	105dB	DC24V / 0.211A		
	WA 5 Alarms	103dB	AC110V / 0.062A		
	WV 5 Customizable sounds	95dB	AC220V / 0 031A		

\* Please refer to page 22 for detailed information about selectable sound patterns.



### Technical Diagram

(Units : mm)



### SEHN25 Max 115dB, Self Stand Type

Model number	Sound pattern	Volume	Voltage / Current	Cer ificates	Weight
SEHN25	WS 5 Warning sounds	115dB	DC12V / 2.211A		DC-2 26kg AC-2.48kg
	WM 5 Melodies	115dB	DC24V / 1.022A		
	WA 5 Alarms	113dB	AC110V / 0.226A		
	WV 5 Customizable sounds	108dB	AC220V / 0.113A		

\* Please refer to page 22 for detailed information about selectable sound patterns.



### Technical Diagram

(Units : mm)

