



Tuning Fork Level Switch



CATALOGUE

1. PRODUCT INTRODUCTION.....	1
2. PRODUCT SERIES(1)	
SC14 STANDARD TYPE.....	4
SC17 EX-PROOF TYPE.....	5
SC14 STANDARD TYPE / SC17 EX-PROOF TYPE DESCRIPTION OF FEATURES	6
SC14 STANDARD TYPE / SC17 EX-PROOF TYPE WIRING INSTRUCTIONS.....	7
SC14 STANDARD TYPE / SC17 EX-PROOF TYPE MODEL NUMBER / ORDER CODE COMPARISON TABLE.....	8
SC14 STANDARD TYPE / SC17 EX-PROOF TYPE ORDER INFORMATION	9
3. PRODUCT SERIES(2)	
SC24 LITE-TYPE.....	11
SC24 LITE-TYPE DESCRIPTION OF FEATURES.....	12
SC24 LITE-TYPE WIRING INSTRUCTIONS.....	14
SC24 LITE-TYPE MODEL NUMBER / ORDER CODE COMPARISON TABLE.....	16
SC24 LITE-TYPE ORDER INFORMATION.....	17
4. PRODUCT SERIES(3)	
SC35 TUNING FORK LEVEL SWITCH	18
SC35 TUNING FORK LEVEL SWITCH DESCRIPTION OF FEATURES.....	20
SC35 TUNING FORK LEVEL SWITCH WIRING INSTRUCTIONS	21
SC35 TUNING FORK LEVEL SWITCH MODEL NUMBER / ORDER CODE COMPARISON TABLE.....	22
SC35 TUNING FORK LEVEL SWITCH ORDER INFORMATION.....	23
5. PRODUCT SERIES(4)	
SC28 MINI-TYPE.....	25
SC28 MINI-TYPE DESCRIPTION OF FEATURES.....	28
SC28 MINI-TYPE WIRING INSTRUCTIONS	30
SC28 MINI-TYPE MODEL NUMBER / ORDER CODE COMPARISON TABLE.....	32
SC28 MINI-TYPE ORDER INFORMATION.....	33
6. PRODUCT SERIES(5)	
SC38 MULTI-FUNCTIONAL TUNING FORK LEVEL SWITCH.....	35
SC38 MULTI-FUNCTIONAL TUNING FORK LEVEL SWITCH DESCRIPTION OF FEATURES.....	37
SC38 MULTI-FUNCTIONAL TUNING FORK LEVEL SWITCH WIRING INSTRUCTIONS.....	39
SC38 MULTI-FUNCTIONAL TUNING FORK LEVEL SWITCH MODEL NUMBER / ORDER CODE COMPARISON TABLE.....	40
SC38 MULTI-FUNCTIONAL TUNING FORK LEVEL SWITCH ORDER INFORMATION.....	41

PRODUCT INTRODUCTION

WORKING PRINCIPLE

The SC series is a vibrating tuning fork point level sensor that utilizes piezoelectric crystal and solidstate electronics technology to produce vibration in the tuning fork element at a specific frequency and receive electronic feedback. When the probe element is in contact with the target material, the vibration is dampened, the electronic feedback changes, and presence of the material is thereby sensed by the electronics which changes the state of the sensor output to indicate material presence. When the probe element is again free of the target material, the vibration again is produced and the output state reverts to indicate material absence.

FEATURE

- SPDT Relay output, SSR MOSFET output.
- Wide voltage supply range 20~250 Vac/Vdc,50/60Hz
- No frequent calibration required, easy-to-use, sturdy and durable design. High/low failure safe mode, safe and reliable.
- Sensitivity adjustment is available for different densities of media. Fine powder can be detected.
- Suitable for liquid, powder, and solid application.
- Dual insulation can reduce damage on the PCB board caused by great changes in temperature and humidity, as well as condensation effects (SC3□ series).
- It can be tested by pressing the test button after installation (SC3□ series).
- Output switch delay function (SC3□ series).
- Self-diagnosis mechanism can detect the abnormality such as the abrasion of the tuning fork or the material viscosity (SC3□ series).
- The compact built-in wiring box can save the installation space (SC3□ series).
- The wiring box can rotate 270 degrees, facilitating adjustment of the inlet direction (SC3□ series).
- The minimum measurable specific gravity can reach 0.01 g/cm³ (SC35 series).
- Ultra protection mechanism can set the secondary output contact point as alarm output (SC35 series).
- Support the function of detecting underwater sediments (SC35 series).
- All-in-one design, 3/4" (SC38), 1" thread is suitable for the installation of a small tube.
- Adjustment setting for different densities of media $P > 0.5 \text{ g/cm}^3$ or $\rho. 0.7 \text{ g/cm}^3$ (SC38).
- Switch delay setting function (SC3□ series).
- Alarm indicators based on failure status or output status selected according to the customer's habits (SC3□ series).
- Automatic calibration of the operation points for different densities of media as required by the customer (SC38).

APPLICABLE MATERIALS

The tuning fork level switch can be widely applied to detect the min. and max. level in tanks, silos and hoppers filled with materials of different densities and state. The following is a list of applications.

POWDER

- | | |
|------------------------|------------------------|
| 1. Powdered milk | 15. Pellets |
| 2. Frozen potato chips | 16. Peanuts |
| 3. Beans | 17. Tobacco |
| 4. Sugar | 18. Wood shavings |
| 5. Sweets | 19. Chalk |
| 6. Coffee beans | 20. Stearin chips |
| 7. Coffee powder | 21. Powdered cellulose |
| 8. Frozen dry coffee | 22. Glass fine power |
| 9. Tea | 23. Granular plastics |
| 10. Salt | 24. Gravel |
| 11. Flour | 25. Powdered clay |
| 12. Foundry sand | 26. Polystyrene powder |
| 13. Spices | 27. Styrofoam |
| 14. Animal food | 28. Soda |

LIQUID

1. Water & Solutions
2. General Purpose Solvent
3. Soy sauce
4. Heavy oil
5. Petroleum
6. Oil
7. Ink
8. Cream
9. Drink & Beverage
10. Corrosive liquid

APPLICATION SCOPE

It is applicable to the max. and min. level detection of the tanks or tubes filled with various solid/liquid media. The product has a variety of applications, such as in the chemical fiber industry, rubber industry, tire industry, cement industry, steel industry, food industry, pharmaceutical industry, and animal feed factories in terms of the level detection for the bins of the raw material/process/finished products.

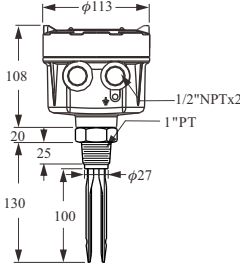
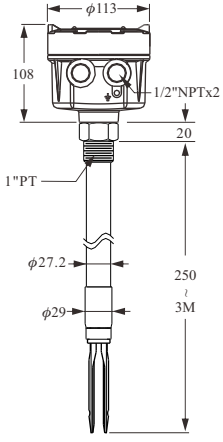
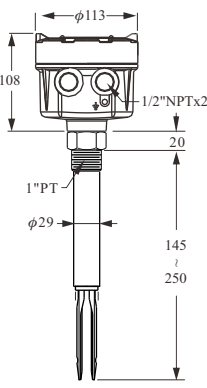
APPLICATION EXAMPLE

Application situation	SC24	SC28	SC14X	SC17X	SC35X	SC38X
Liquid	★	★	★	★		★
Powder	★		★	★	★	
Solid					★	
Corrosive media			Optional			
Explosion proof				★	★	★
Tri-Clamp connection	Optional	Optional	Optional			Optional
Operation temp. 100°C	★	★				
Operation temp. 130°C			★	★		
Operation temp. 150°C					★	★
Operation temp. 280°C					★	
Max. pressure<25bar					★	
Max. pressure<40bar	★	★	★	★		★

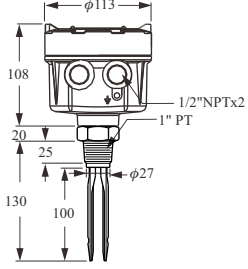
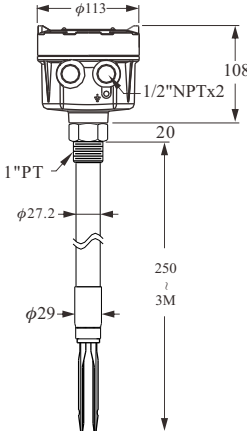
PRODUCT DIMENSIONS

<p>SC24 Series tri clamp ferrule connection</p> <p>Standard type Extended type</p>	<p>SC28 Series tri clamp ferrule connection</p> <p>Standard type Ultra Extension type</p>
<p>SC14 Series tri clamp ferrule connection</p> <p>Standard type Extended type</p>	<p>SC38 Series tri clamp ferrule connection</p> <p>Standard type Ultra Extension type</p>
<p>SC14 Series flange connection</p> <p>L: As marked in spec. table L: By requested</p>	<p>SC38 Series flange connection</p> <p>L: As marked in spec. table L: By requested</p>

SC14 STANDARD TYPE

<p>Dimensions (Unit:mm)</p>			
<p>Model No.</p>	<p>SC1400 Standard Type</p>	<p>SC1410 Tuning Fork Ultra Extension Type</p>	<p>SC1420 Tuning Fork Extension Type</p>
<p>Level sensor housing</p>	<p>Aluminum / IP65</p>		
<p>Probe material</p>	<p>SUS 304 / 316 / 316L</p>		
<p>Mounting</p>	<p>1"PT</p>		
<p>Conduit</p>	<p>1/2"NPT×2</p>		
<p>Max. vertical load on rod.</p>	<p>177in.Lbs(20Nm)</p>		
<p>Process pressure.</p>	<p>-1~600PSI (40bar)</p>		
<p>Power supply</p>	<p>20~250Vac / Vdc,50 / 60Hz</p>		
<p>Power consumption</p>	<p>10VA</p>		
<p>Ambient temp.</p>	<p>-40°C~60°C</p>		
<p>Process temp.</p>	<p>-40°C~130°C</p>		
<p>Signal output</p>	<p>Relay, SPDT, 5A/250Vac, 1 set or 2 set SSR(MOSFET) 400mA/60 Vac / Vdc, 1 set or 2 set</p>		
<p>Min. material density sensed</p>	<p>Solid:≥0.07g/cm³, Liquid: ≥0.7g/cm³</p>		
<p>Time delay</p>	<p>0.6 Second / Operate; 1~3 Seconds / Reset</p>		
<p>Vibrating frequency.</p>	<p>350~370Hz</p>		
<p>Selectable Fail-safe</p>	<p>Hi. / Lo.</p>		
<p>Selectable sensitivity</p>	<p>Hi. / Lo.</p>		

SC17 EX-PROOF TYPE

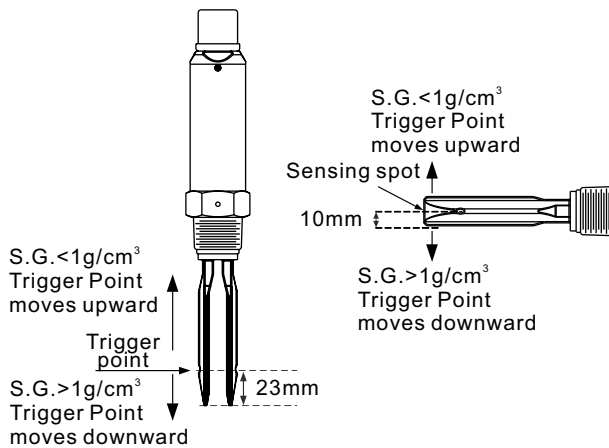
Dimensions (Unit:mm)		
Model No.	SC1740 Standard Type	SC1741 Tuning Fork Ultra Extension Type
Level sensor housing	Aluminum / IP65	
Probe material	SUS 304 / 316 / 316L	
Mounting	1"PT	1"PT
Conduit	1/2"NPT×2	
Max. vertical load on rod.	177in.Lbs(20Nm)	
Process pressure.	-1~600PSI (40bar)	
Power supply	20~250,50/60Hz Vac/Vdc	
Power consumption	10VA	
Ambient temp.	-20°C~70°C	
Process temp.	-40°C~125°C	
Signal output	Relay, SPDT, 3A / 250Vac, 1 set or 2 set SSR(MOSFET) 400mA/60 Vac / Vdc, 1 set or 2 set	
Min. material density sensed	Solid: ≥0.07g/cm ³ , Liquid: ≥0.7g/cm ³ , viscosity : 1~10000 cSt	
Time delay	0.6 Second / Operate; 1~3 Seconds / Reset	
Vibrating frequency.	350~370Hz	
Selectable Fail-safe	Hi. / Lo.	
Selectable sensitivity	Hi. / Lo.	

SC14 STANDARD TYPE / SC17 EX-PROOF TYPE

DESCRIPTION OF FEATURES

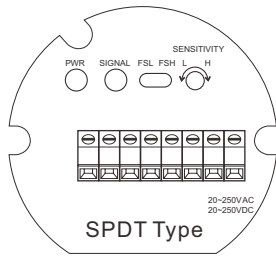
FORK TRIGGER POINT

SC14/SC17 fork trigger point is shown as below figure. The testing medium is water (S.G.=1 g/cm³), and its trigger point is about 23mm from the fork tip. If testing medium with S.G (specific gravity) lower than 1g/cm³ (water), the trigger point would increase. Similarly, the trigger point will downward while the S.G is large than water.

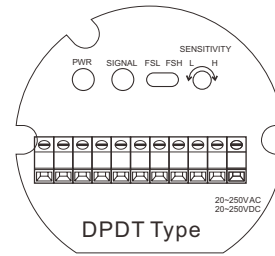


SC14 STANDARD TYPE / SC17 EX-PROOF TYPE WIRING INSTRUCTIONS

SC14XX, SC174X



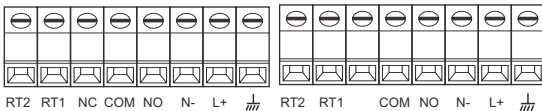
SPDT Type



DPDT Type

Relay output type(SPDT)

SSR(MOSFET) output type



Relay output type (DPDT)

SSR(MOSFET) output type



FUNCTIONAL DESCRIPTION

Description of terminal functions

- L+, N-: Power Supply
- NC, COM, NO: Relay Output
- RT1, RT2: Remote-Test
- : Ground Connection
- COM1, NO1 : SSR(MOSFET) Output
- COM2, NO2 : The second set of SSR (MOSFET) output (Optional)

DESCRIPTION OF PANEL FUNCTIONS

- PWR: Power Supply (Green Light)
- SIGNAL: Output Indication (Red Light)
- FSH: Power On. The signal lamp is on and the relay is conductive. While the tuning fork switch senses the material, the signal lamp is off and relay is not conductive.
- FSL: Power On. The signal lamp is off and the relay is not conductive. While the tuning fork switch senses the material, the signal lamp is on and relay is conductive.
- SENSITIVITY L: Low Sensitivity
- SENSITIVITY H: High Sensitivity

FAIL-SAFE HIGH / LOW PROTECTION

FSH (Fail-Safe High) Protection:

Switch to FSH mode.

Normal Status: The signal lamp is on. It indicates that the tuning fork switch does not sense the material and the relay is conductive.

Failure: When the power shuts down, the signal lamp is off. It indicates that the tuning fork switch is voided and the relay is not conductive.

FSL (Fail-Safe Low) Protection:

Switch to FSL mode.

Normal Status: The signal lamp is on.

The tuning fork switch senses the material and the relay is conductive.

Failure: When the power shuts down, the signal lamp is off. The tuning fork switch is voided and the relay is not conductive.

SENSITIVITY ADJUSTMENT

The SENSITIVITY is located on the right side of the panel. Minor adjustment can be made by rotating the sensitivity up to 22 turns using a small screw driver. Rotating clockwise will increase sensitivity; rotating counter-clockwise will decrease sensitivity.

The sensitivity is originally set at max. value. The switching point is at 15mm from the tip of the tuning fork. The switching point position will be changed by the sensitivity value. If the sensitivity adjusts to lower value, the switching point position is moving backward; if the sensitivity adjusts to high value, the switching point position is moving forward. User may change the switching point position by adjusting the sensitivity. The changing range of switching point is about 60mm. For example, if the switching point needs to be moved backward by 30mm, the user needs to adjust SENSITIVITY counter-clockwise by 10 turns. In general cases, there is no need for sensitivity adjustment.

	FSL		FSH	
Level				
Contact form				
Indication				
Status	Fail	Normal	Normal	Fail

SC14 STANDARD TYPE / SC17 EX-PROOF TYPE MODEL NUMBER / ORDER CODE COMPARISON TABLE

Model Number	Order Code
SC1400	SCX10000-AAB
SC1410	SCX10000-CAB
SC1420	SCX10000-BAB
SC1740	SCX1001C-AAB
SC1741	SCX1001C-CAB

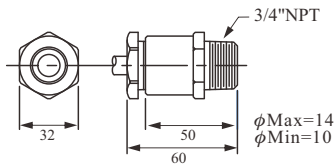
ACCESSORIES

Cable Conduit - Ex d IIC

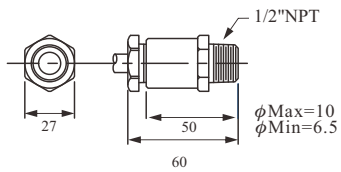
Material: Washer — NBR

Body— Copper alloy(3/4"NPT)
Nickel plated(1/2"NPT)

HP415-A23100MH01(29-1104)



HP415-A23000MG01(29-1108)



SC14 STANDARD TYPE / SC17 EX-PROOF TYPE ORDER INFORMATION

SCX1 ⁰⁵ ⁰⁶ ⁰⁷ ⁰⁸ ⁰⁹ - A B ¹² ¹³ ¹⁴ ¹⁵ ¹⁶ ¹⁷ ¹⁸ ¹⁹ ²⁰ ²¹ ²² ²³ ²⁴ ²⁵ ²⁶

⁰⁵ ⁰⁶ Model

- 00: Standard
- 03: Sanitary

⁰⁷ ⁰⁸ Certification

- 00: None
- 1C: ATEX-Ex d
- 2C: IECEx-Ex d
- 7C: NEPSI-Ex d
- 5C: TS-Ex d

⁰⁹ Construction

- A: Standard
- B: Extension type
- C: Ultra extension type
- D: Cable type
- E: Anti-Corrosion probe type
- F: Anti-Corrosion extension probe type
- G: Sanitary joint type

¹² Power supply

- C: 20~250Vac/Vdc, 50/60Hz ; Relay O/P - Euro terminal
- D: 20~250Vac/Vdc, 50/60Hz ; SSR(MOSFET) - Euro terminal
- E: 20~250Vac/Vdc, 50/60Hz ; Relay O/P*2 - Euro terminal
- F: 20~250Vac/Vdc, 50/60Hz ; SSR(MOSFET)*2 - Euro terminal

Connection

¹³ ¹⁴

- Flange
- AK: JIS-FF
- AN: ANSI-RF
- AS: DIN-FF
- AI: 3A

Thread

- AA: JIS
- AC: ANSI

¹⁵ ¹⁶

- A8: 1"
- A9: 1-1/4"
- B1: 1-1/2"
- B2: 2"
- B4: 2-1/2"
- B5: 3"
- B7: 4"
- D8: DN25
- E1: DN40

¹⁷ ¹⁸

- 01: PT male
- 03: PF male
- 07: NPT male
- 40: 5 kg/cm²
- 42: 10 kg/cm²
- 48: 150 Lbs
- 49: 300 Lbs
- 57: PN10
- 58: PN16

(Next page)

SC14 STANDARD TYPE / SC17 EX-PROOF TYPE ORDER INFORMATION

SCX1 ⁰⁵□⁰⁶□⁰⁷□⁰⁸□-⁰⁹□ A B ¹²□¹³□¹⁴□¹⁵□¹⁶□¹⁷□¹⁸□¹⁹□²⁰□²¹□²²□²³□²⁴□²⁵□²⁶□

¹⁹ ²⁰ **Probe material**

- MA: SUS304
- MB: SUS316
- MC: SUS316L

²¹ ²² **Coating material**

- 00: None
- 14: PFA
- 34: ECTFE
- ※ Coating length max. 400mm

²³ ²⁴ ²⁵ ²⁶ **Probe length**

Code	Probe length
0130~3000	130~3000mm
0105~0250	105~250mm

SC24 LITE-TYPE

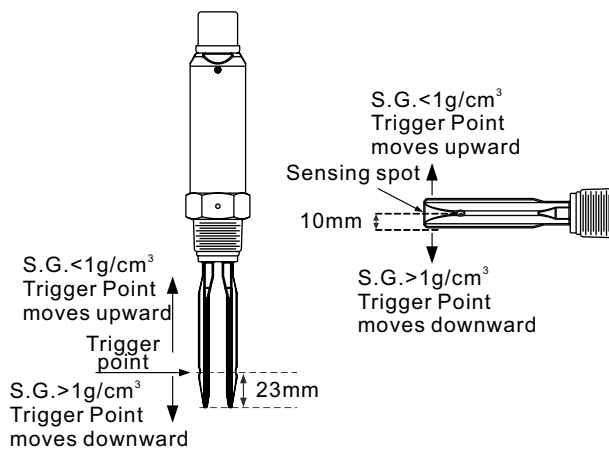
<p>Dimensions (Unit:mm)</p>						
<p>Model no.</p>	<p>SC24□□□ DIN Connector</p>		<p>SC24□□□ M12 Connector</p>		<p>SC24□□□ Cable Wire Type</p>	
<p>Supply voltage & output</p>	<p>SC240□□: 20~250Vac / Vdc 2 Wire Contactless electronic switch. SC24P□□: 12~55Vdc 3 Wire PNP output. SC24N□□: 12~55Vdc 3 Wire NPN output.</p>					
<p>Fork length</p>	<p>100mm</p>					
<p>Ambient temp.</p>	<p>-40~85°C</p>					
<p>Ambient humidity</p>	<p>80% RH non-condensed</p>					
<p>Process temp.</p>	<p>SC24□□□T: -40~+150°C SC24□□□: -40~+100°C</p>					
<p>Process pressure</p>	<p>Maximum 40 bar</p>					
<p>Min. material density sensed</p>	<p>Solid:density: $\geq 0.07\text{g/cm}^3$ Liquid:density: $\geq 0.7\text{g/cm}^3$ Viscosity: 1~10000 cSt</p>					
<p>Magnetic testing</p>	<p>Output function test performed by putting magnets near the indicated spot</p>					
<p>Vibrating frequency</p>	<p>350~370Hz</p>					
<p>Status indication</p>	<p>Green light: indicate power supply Red light: indicate operating mode</p>					
<p>Housing material</p>	<p>SUS304</p>					
<p>Probe material</p>	<p>SUS304, SUS316, SUS316L</p>					
<p>IP protection</p>	<p>IP65</p>	<p>IP67</p>	<p>IP67</p>			
<p>Mounting</p>	<p>1" more</p>					
<p>Conduit</p>	<p>Valve plug DIN 43650</p>	<p>M12 Connector(180° / 90°)</p>	<p>Cable connector</p>			

SC24 LITE-TYPE DESCRIPTION OF FEATURES

FORK TRIGGER POINT

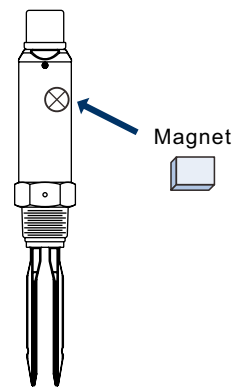
SC24 fork trigger point is shown as below figure.

The testing medium is water(S.G.=1 g/cm³), and its trigger point is about 23mm from the fork tip. If testing medium with S.G (specific gravity) lower than 1g/cm³ (water), the trigger point would increase. Similarly, the trigger point will downward while the S.G is large than water.



MAGNETIC TEST

After the switch is installed and powered, magnetic test function can be performed accordingly. The testing point is marked on the housing label. User holds the magnet and moves it close to testing point, the output status will switch from NO. to NC. or NC to NO. and red LED would switch ON or OFF while fork continues to vibrate. When magnet is pulled away from the testing point, the output status and red LED would return as default while fork continues to vibrate. The purpose of testing is to confirm the wiring and functioning are correct.



SC24 LITE-TYPE DESCRIPTION OF FEATURES

OUTPUT STATUS FOR RELAY

- Low (Min.) Mode: Tuning fork switch will be active after 3 seconds while power on. Relay is on NO status and red LED indication is off. When tuning fork is covered by testing medium, the vibration will stop and relay becomes NC status. Red LED indication then is on.
- High(Max.) Mode: Tuning fork switch will be active after 3 seconds while the power on. Relay is on NC status and red LED indication is on. When tuning fork covered by testing medium, the vibration stops and relay becomes NO status. Red LED indication is on.
- Flashing red indicates abnormal: Possible causes overloads or short-circuit load back, equipment malfunction or wear tuning fork probe.

	Min. Mode		Max.Mode		
Level					Instrument failure
Contactless electronic switch	 Switch open	 Switch closed	 Switch closed	 Switch open	 Switch open
Red LED					

It represents Blinking

OUTPUT STATUS FOR PNP / NPN TRANSISTOR

DIN & Cable type

- Low(Min.) Mode: Tuning fork switch will be active after 3 seconds while power on. Output transistor is on NO status and red LED indication is on. When tuning fork covered by testing medium,vibration will stop and output transistor becomes NC status. Red LED indication is off.
- High(Max.) Mode: Tuning fork switch will be active after 3 seconds while power on. Output transistor is on NC status and red LED indication is on. When tuning fork covered by testing medium,vibration will stop and output transistor becomes NO status. Red LED indication is off.
- Flashing red indicates abnormal: Possible causes overloads or short-circuit load back, equipment malfunction or wear tuning fork probe.

M12 x 4Pin type

- Low(Min.) Mode: Tuning fork switch will be actuated 3 seconds after the power is on. Relay is NO and red LED indication is off. When tuning fork is covered by testing medium, vibration stops and relay becomes NC. Red LED indication is on.
- High(Max.) Mode: Tuning fork switch will be actuated 3 seconds after the power is on. Relay is NC and red LED indication is off. When tuning fork is covered by testing medium, vibration stops and relay becomes NO. Red LED indication is on.
- Flashing red indicates abnormal: Possible causes overloads or short-circuit load back, equipment malfunction or wear tuning fork probe.

	Min. Mode		Max.Mode		
Level					Instrument failure
PNP/NPN Output	 Switch open	 Switch closed	 Switch closed	 Switch open	 Switch open
Red LED (DIN& Cable)					
Red LED (M12x 4Pin)					

It represents Blinking

SC24 LITE-TYPE WIRING INSTRUCTIONS

SC240X(TWO WIRES) WIRING

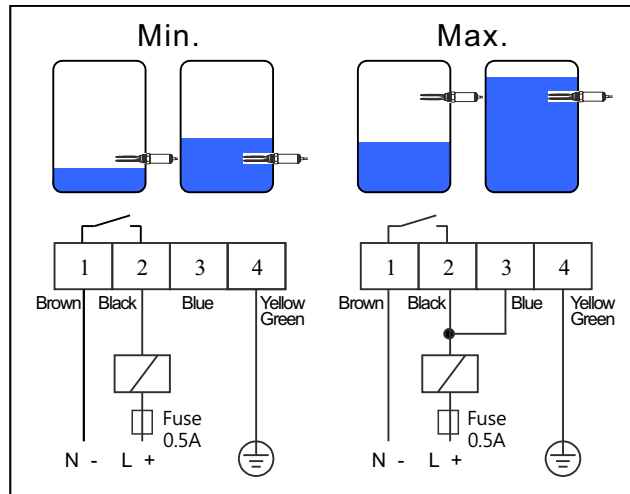
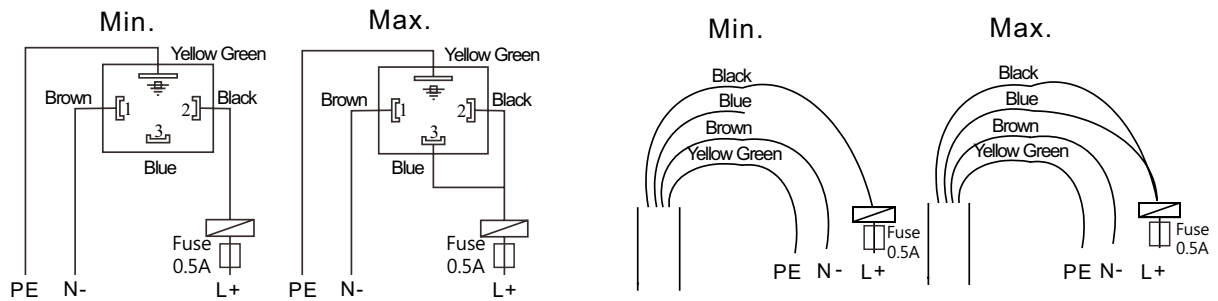


Figure 1 Two Wires Wiring



DIN Wiring Diagram

M12x4Pin Cable Wiring Diagram

WIRING

Power can be AC/DC switching. Two wires are connected with terminals (L+/N-) as in Figure 1.

■ Low (Min.) mode:

Pin 1 (Brown) is connected to N-. Pin 2 (Black) is connected to L+ with relay. Pin 4 (Yellow Green) connects to tank ground.

■ High (Max.) mode:

Pin 1 (Brown) is connected to N-. Pin 3 is connected to pin 2 (Black) to L+ with Relay. Pin 4 (Yellow Green) connects to tank ground.

SC24 LITE-TYPE WIRING INSTRUCTIONS

SC24P/N(THREE WIRES) WIRING

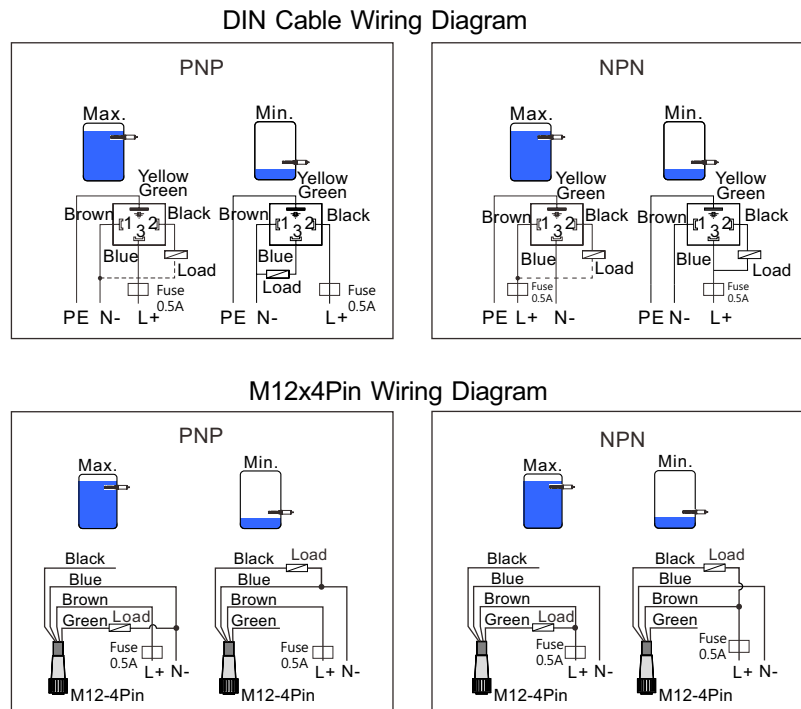


Figure 2 PNP / NPN Output Wiring Diagram

WIRING

Power supply is for DC only. Output is PNP / NPN and high / low level alarm. Please see Figure 2.

► DIN & Cable Wiring

PNP Output

- High (Max.) Mode: Pin 1(Brown) connects to N-. Pin 3 (Blue) connects to L+. To output, it is pin 2. (Black) connects to N- with relay. Pin 4 (Yellow Green) connects to tank ground.
- Low (Min.) Mode: Pin 1 (Brown) connects to N-. Pin 2 (Black) connects to L+. To output, Pin 3 (Blue) connects to N- with relay. Pin 4 (Yellow Green) should contact to tank ground.

NPN Output

- High (Max.) Mode: Pin 1 (Brown) connects to L+. Pin 3 (Blue) connects to N-. To output, Pin 2 (Black) connects to L+ with relay. Pin 4(Yellow Green) should contact to tank ground.
- Low(Min.)Mode: Pin1 (Brown) connects to N-. Pin 3 (Blue) connects to L+. To output Pin 2 (Black) connects to L+ with relay. Pin 4 (Yellow Green) should contact To tank ground.

► M12 x 4Pin Wiring:

PNP Output

- High(Max.) Mode: No. 1 pin(Brown) is connected to L+. No.3 pin(Blue) is connected to N-. Output is connected to No. 2 pin(Green), then connected to N-.
- Low(Min.) Mode: number 1 pin(Brown) is connected to L+. No.3 pin(Blue) is connected to N-. Output is connected to No. 4 pin(Black), then connected to N-.

NPN Output

- High(Max.) Mode: No. 1 pin(Brown) is connected to L+. No.3 pin(Blue) is connected to N-. Output is connected to No. 2 pin(Green), then connected to L+.
- Low(Min.) Mode: No. 1 pin(Brown) is connected to L+. No.3 pin(Blue) is connected to N-. Output is connected to No. 4 pin(Black), then connected to L+.

SC24 LITE-TYPE MODEL NUMBER / ORDER CODE COMPARISON TABLE

Model Number	Order Code
SC2400	SCX2□□00-□BA
SC240□□T	SCX20200-□BA
SC24P□	SCX2□□00-□BP
SC24N□	SCX2□□00-□BN

SC35 TUNING FORK LEVEL SWITCH

NEPSI Ex tD A21 IP66/67 T85~T300°C
 IECEx Ex ta IIIC T95°C / T130°C / T136°C Da
 Ex tb IIIC T80°C / T95°C / T130°C / T160°C / T240°C / T290°C Db

Dimensions (Unit:mm)			
Model No.	SC350 Standard Type	SC351 Extension Type	SC352 Cable Type
Level sensor housing	Built-in box, aluminum coating IP66/IP67		
Probe material	SUS 304 / 316 / 316L		
Power supply	19 ~253 Vdc / Vac, 50/60 Hz ; NPN / PNP(10~55Vdc)		
Probe construction	Max. 1.5 W		
Voltage endurance capability	3.7 kV		
Overvoltage protection	overvoltage category II		
Ambient temp.	-40~85 °C		-40~75 °C
Process temp.	-40~150 °C	-40~150 °C	-40~80 °C
Material density	³ 0.01 g/cm ³ or ³ 0.05 g/cm ³		
Measuring frequency	140 Hz ± 5 Hz		
Material dimension	Max.10 mm		
Conduit	1/2"PF / 1/2"NPT(Ex-proof type only supports 1/2"NPT)		
External diameter of conduit cable	φ6~φ10 mm		
Process pressure	Max.25 bar		Max. 2 bar
Output signal	2 sets of SPDT relay output / 2 sets of transistor output / 3 wires NPN/PNP transistor output		
Contact capacity	Relay: 6A / 250Vac , 6A / 28Vdc ; Transistor: 350mA , 60Vac / Vdc NPN / PNP / Transistor: 350mA , 55Vdc		

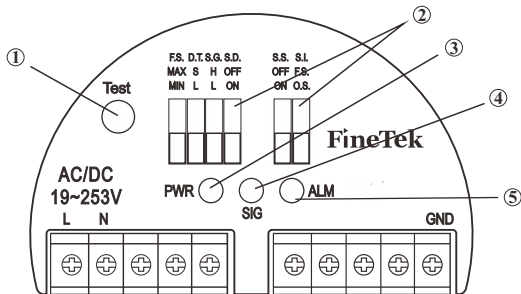
SC35 TUNING FORK LEVEL SWITCH

NEPSI Ex tD A21 IP66/67 T85~T300°C
 IECEx Ex ta IIIC T95°C / T130°C / T136°C Da
 Ex tb IIIC T80°C / T95°C / T130°C / T160°C / T240°C / T290°C Db

Dimensions (Unit:mm)		
Model No.	SC350 High-temp. Type	SC351 High-temp. Extension Type
Level sensor housing	Built-in box, aluminum coating IP66/IP67	
Probe material	SUS 304 / 316 / 316L	
Power supply	19 ~253 Vdc / Vac, 50/60 Hz	
Probe construction	Max. 1.5 W	
Voltage endurance capability	3.7 kV	
Overvoltage protection	overvoltage category II	
Ambient temp.	-40~85 °C	
Process temp.	-40~280 °C	
Material density	$^3 0.01 \text{ g/cm}^3$ or $^3 0.05 \text{ g/cm}^3$	
Measuring frequency	140 Hz \pm 5 Hz	
Material dimension	Max.10 mm	
Conduit	1/2"PF / 1/2"NPT(Ex-proof type only supports 1/2"NPT)	
External diameter of conduit cable	$\phi 6 \sim \phi 10$ mm	
Process pressure	Max. 25 bar	
Output signal	2 sets of SPDT relay output / 2 sets of transistor output	
Contact capacity	Relay: 6A / 250Vac , 6A / 28Vdc Transistor: 350mA , 60Vac / Vdc	

SC35 TUNING FORK LEVEL SWITCH DESCRIPTION OF FEATURES

PANEL INTRODUCTION

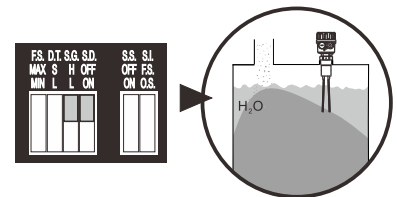


- ①: Test button
- ②: Function adjustment button
- ③: Power indicator
- ④: Status indicator
- ⑤: Alarm indicator

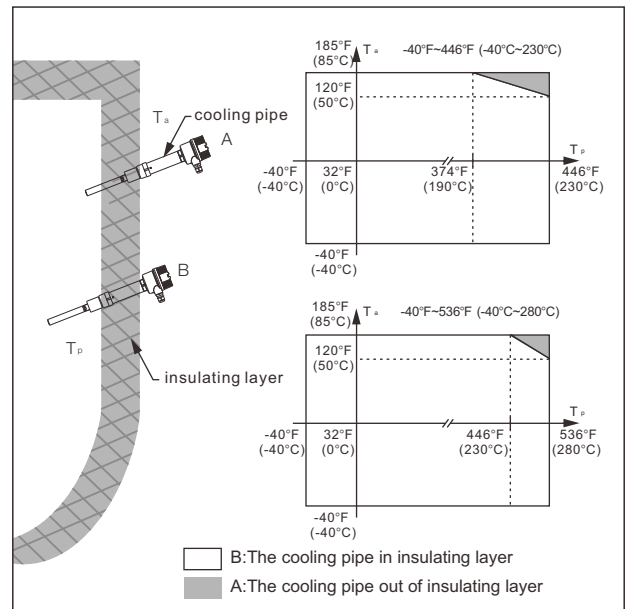
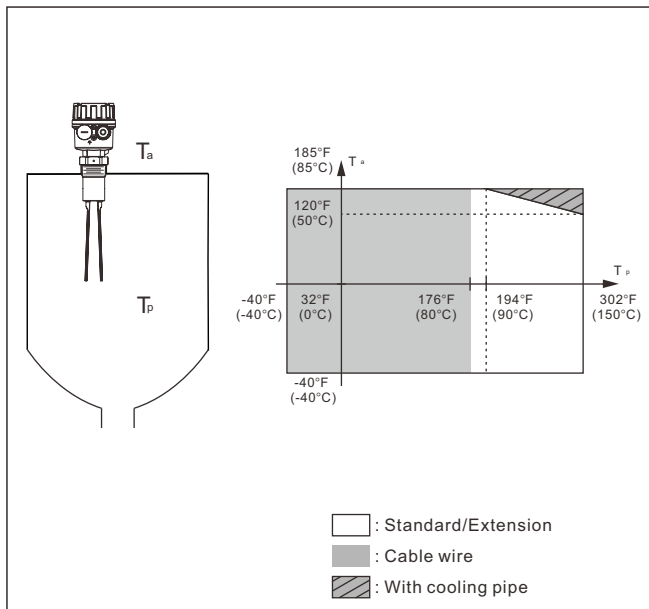
Abbreviation	Function	Option description	Remarks
Test	Test button	Reverse output signal	Reverse output signal can be used to provide a method for testing control equipment which is connected to sensor output
F.S.	Fail-Safe	MAX: High MIN: Low	Includes high low fail-safe mode
D.T.	Delay Time	S: General setting L: Delay of 5 seconds	Material covered: 0.5s Material not covered: 150°C: ≤1.5s 230°C / 280°C: ≤2s L sets delay of 5s for covered/uncovered
S.G.	Specific Gravity	H: ≥ 0.05 g/cm ³ L: ≥ 0.01 g/cm ³	High Density >0.05 g/cm ³ Low Density >0.01 g/cm ³
S.D.	Self Diagnosis	OFF: Disabled ON: Enabled	ON setting allows the sensor to detect fork abrasion or material build-up; SIG LED will flash if trouble exists
S.S.	Super Switch	OFF: Disabled ON: Enabled	When set ON Output 2 will be dedicated to indicate self-diagnostics alarm exists
S.I.	Signal Indication	F.S.: Fail-Safe mode O.S.: Output status mode	F.S. (fail safe) selected = Normal / Alarm status; O.S. (relay output status) selected = Relay energized (on) or de-energized (off)

SEDIMENT DETECTION

- It is only used to detect the sediment under the water, but can't be used for the level detection of the liquid or the doped liquid.
- S.G. (Specific Gravity) shall be adjusted to H position.
- S.D. (Self Diagnosis) shall be switched to OFF position.
- SC352 cable type is inapplicable to this working environment



ENVIRONMENT/PROCESS TEMPERATURE LIMITATION

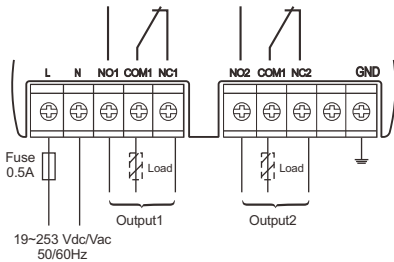


- ※ ETFE coating: T_p max. = 150°C
- ※ PTFE coating: T_p max. = 230°C

SC35 TUNING FORK LEVEL SWITCH WIRING INSTRUCTIONS

WIRING CONFIGURATION DIAGRAM AND INTRODUCTION OF FEATURES

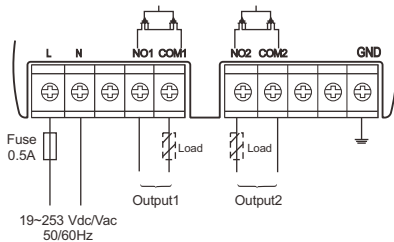
Dual-relay output



Load: External load
 $U \sim \text{max. } 250\text{Vac}@I_L \sim \text{max. } 6\text{A}$
 $U = \text{max. } 28\text{Vdc}@I_L = \text{max. } 6\text{A}$

Failure mode	Material level	Output signal			LED indicators		
		output1	output2		Power	Status	Alarm
			S.S. OFF	S.S. ON	Green	Yellow	Red
MAX							
MIN							
Viscous material		Maintain the previous state					
Wear of tuning fork							

Dual-transistor output



Load: External load
 $U \sim \text{max. } 60\text{Vac}@I_L \sim \text{max. } 350\text{mA}$
 $U = \text{max. } 60\text{Vdc}@I_L = \text{max. } 350\text{mA}$
 ※ External load R must be connected

Failure mode	Material level	Output signal			LED indicators		
		output1	output2		Power	Status	Alarm
			S.S. OFF	S.S. ON	Green	Yellow	Red
MAX							
MIN							
Viscous material		Maintain the previous state					
Wear of tuning fork							
Output1>350mA			Maintain the previous state				
Output2>350mA		Maintain the previous state					
Output1 & Output2>350mA							

※ When output is off, there will be no error current status

: ON : Flash : OFF

: Relay ON : Relay OFF I_L : Load current

SC35 TUNING FORK LEVEL SWITCH MODEL NUMBER / ORDER CODE COMPARISON TABLE

Model Number	Order Code
SC350	SCX3□□□□-EC(HC,JC)
SC351	SCX3□□□□-FC(IC,KC)
SC352	SCX3□□□□-DC

ACCESSORIES

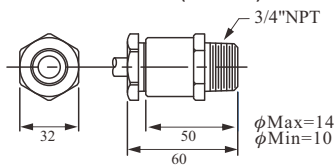
Cable Conduit - Ex d IIC

Material: Washer — NBR

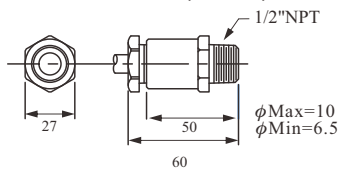
Body— Copper alloy(3/4"NPT)

Nickel plated(1/2"NPT)

HP415-A23100MH01(29-1104)



HP415-A23000MG01(29-1108)



SC35 TUNING FORK LEVEL SWITCH ORDER INFORMATION

SCX3 ⁰⁵ ⁰⁶ ⁰⁷ ⁰⁸ - ⁰⁹ ¹⁰ ¹¹ ¹² ¹³ ¹⁴ ¹⁵ ¹⁶ ¹⁷ ¹⁸ ¹⁹ ²⁰ ²¹ ²² ²³ ²⁴ ²⁵ ²⁶ ²⁷ ²⁸

05 06 Model

- 00: Standard
(Construction: A, B, D)
- 02: High temperature
(Construction: E, F)
- 08: High temperature
(Construction: H, I)
- 09: High temperature type 2
(Construction: J, K)

07 08 Certification

- 01: None; 1/2" PF
- 02: None; 1/2" NPT
- 03: None; M20x1.5
- 2D: IECEx-Ex t; 1/2"NPT
- 5D: TS-Ex t; 1/2" NPT
- 7B: NEPSI-Ex ia; 1/2" NPT
- 7D: NEPSI-Ex d; 1/2" NPT

09 Construction

- A: Standard (150°C @ 50°C)
- B: Extension type (150°C @ 50°C)
- D: Cable type (80°C)
- E: High temperature general type
(150°C @ 85°C)
- F: High temperature extension type
(150°C @ 85°C)
- H: High temperature type (230°C)
- I: High temperature extension type (230°C)
- J: High temperature type 2 (280°C)
- K: High temperature extension type 2 (280°C)

10 Fork length

- C: 155mm

11 Housing

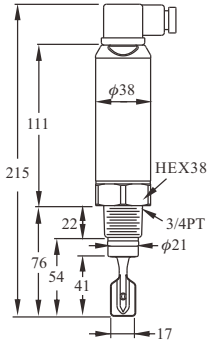
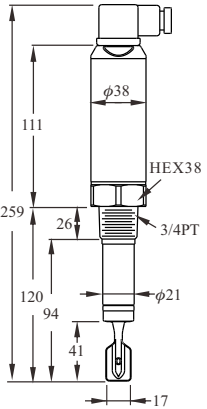
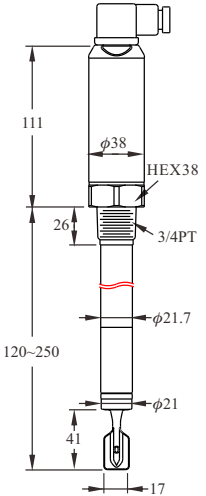
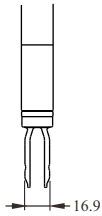
- F: Aluminum
- R: Stainless steel (No explosion protection)

12 Housing cover

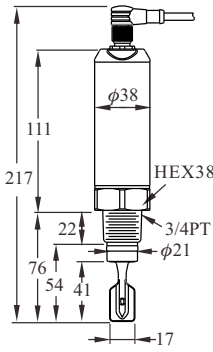
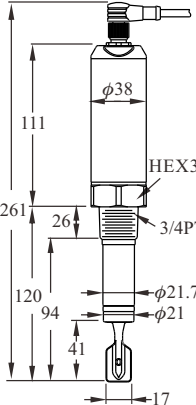
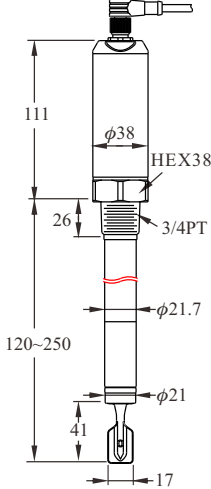
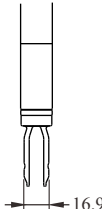
- A: No Lens
- B: Lens(Only stainless steel)

(Next page)

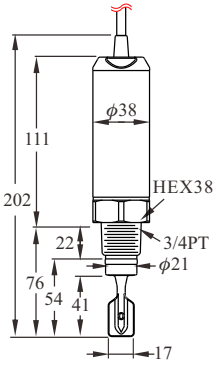
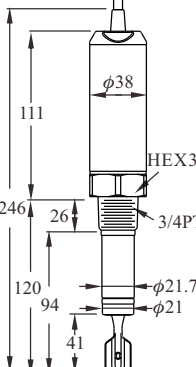
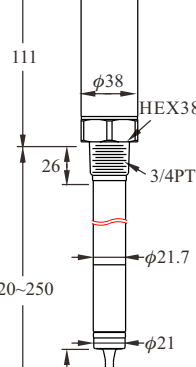
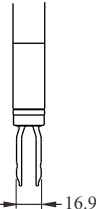
SC28 MINI-TYPE

<p>Dimensions (Unit:mm)</p>	 <p>Standard Type</p>	 <p>Extension Type</p>	 <p>Ultra Extension Type</p>	 <p>Side View</p>
<p>Model no.</p>	<p>SC28□□□ DIN Connector</p>			
<p>Supply voltage & output</p>	<p>SC280□: 20~250 Vac / Vdc, 50/60Hz 2 wire Contactless electronic switch. SC28P□□: 12~55Vdc 3wire PNP output; SC28N□□: 12~55Vdc 3wire NPN output.</p>			
<p>Fork length</p>	<p>40mm</p>			
<p>Ambient temp.</p>	<p>-40°C~80°C</p>			
<p>Process temp.</p>	<p>SC28□□□: -40°C~100°C SC28□□□T: -40°C~150°C</p>			
<p>Ambient humidity</p>	<p>80% RH non-condensed</p>			
<p>Process pressure</p>	<p>-1~600PSI (40bar)</p>			
<p>Min. material density sensed</p>	<p>Liquid:density: $\geq 0.7\text{g/cm}^3$ Viscosity: 1~10000 cSt</p>			
<p>Magnetic testing</p>	<p>Output function test performed by putting magnets near the indicated spot</p>			
<p>Vibrating frequency</p>	<p>1K Hz $\pm 10\%$</p>			
<p>Status indication</p>	<p>Green light:indicate power supply Red light:indicate operating mode</p>			
<p>Housing material</p>	<p>SUS304</p>			
<p>Probe material</p>	<p>SUS304, SUS316, SUS316L</p>			
<p>IP protection</p>	<p>IP65</p>			
<p>Mounting</p>	<p>3/4"more</p>			
<p>Conduit</p>	<p>Valve plug DIN 43650</p>			

SC28 MINI-TYPE

<p>Dimensions (Unit:mm)</p>	 <p>Standard Type</p>	 <p>Extension Type</p>	 <p>Ultra Extension Type</p>	 <p>Side View</p>
<p>Model no.</p>	<p>SC28□□□ M12 Connector</p>			
<p>Supply voltage & output</p>	<p>SC280□:20~250 Vac / Vdc, 50/60Hz 2 wire Contactless electronic switch. SC28P□□: 12~55Vdc 3wire PNP output; SC28N□□: 12~55Vdc 3wire NPN output.</p>			
<p>Fork length</p>	<p>40mm</p>			
<p>Ambient temp.</p>	<p>-40°C~80°C</p>			
<p>Process temp.</p>	<p>SC28□□□: -40°C~100°C SC28□□□T: -40°C~150°C</p>			
<p>Ambient humidity</p>	<p>80% RH non-condensed</p>			
<p>Process pressure</p>	<p>-1~600PSI (40bar)</p>			
<p>Min. material density sensed</p>	<p>Liquid:density: $\geq 0.7\text{g/cm}^3$ Viscosity: 1~10000 cSt</p>			
<p>Magnetic testing</p>	<p>Output function test performed by putting magnets near the indicated spot</p>			
<p>Vibrating frequency</p>	<p>1K Hz\pm10%</p>			
<p>Status indication</p>	<p>Green light:indicate power supply Red light:indicate operating mode</p>			
<p>Housing material</p>	<p>SUS304</p>			
<p>Probe material</p>	<p>SUS304, SUS316, SUS316L</p>			
<p>IP protection</p>	<p>IP67</p>			
<p>Mounting</p>	<p>3/4"more</p>			
<p>Conduit</p>	<p>M12 Connector(180° / 90°)</p>			

SC28 MINI-TYPE

<p>Dimensions (Unit:mm)</p>	 <p>Standard Type</p>	 <p>Extension Type</p>	 <p>Ultra Extension Type</p>	 <p>Side View</p>
<p>Model no.</p>	<p>SC28□□□ Cable Wire Type</p>			
<p>Supply voltage & output</p>	<p>SC280□:20~250 Vac / Vdc, 50/60Hz 2 wire Contactless electronic switch. SC28P□□: 12~55Vdc 3wire PNP output; SC28N□□: 12~55Vdc 3wire NPN output.</p>			
<p>Fork length</p>	<p>40mm</p>			
<p>Ambient temp.</p>	<p>-40°C~80°C</p>			
<p>Process temp.</p>	<p>SC28□□□: -40°C~100°C SC28□□□T: -40°C~150°C</p>			
<p>Ambient humidity</p>	<p>80% RH non-condensed</p>			
<p>Process pressure</p>	<p>-1~600PSI (40bar)</p>			
<p>Min. material density sensed</p>	<p>Liquid:density: $\geq 0.7\text{g/cm}^3$ Viscosity: 1~10000 cSt</p>			
<p>Magnetic testing</p>	<p>Output function test performed by putting magnets near the indicated spot</p>			
<p>Vibrating frequency</p>	<p>1K Hz\pm10%</p>			
<p>Status indication</p>	<p>Green light:indicate power supply Red light:indicate operating mode</p>			
<p>Housing material</p>	<p>SUS304</p>			
<p>Probe material</p>	<p>SUS304, SUS316, SUS316L</p>			
<p>IP protection</p>	<p>IP67</p>			
<p>Mounting</p>	<p>3/4"more</p>			
<p>Conduit</p>	<p>Cable connector</p>			

SC28 MINI-TYPE DESCRIPTION OF FEATURES

OUTPUT STATUS FOR RELAY

- Low (Min.) Mode: Tuning fork switch will be active after 3 seconds while power on. Relay is on NO status and red LED indication is off. When tuning fork is covered by testing medium, the vibration will stop and relay becomes NC status. Red LED indication then is on.
- High(Max.) Mode: Tuning fork switch will be active after 3 seconds while the power on. Relay is on NC status and red LED indication is on. When tuning fork covered by testing medium, the vibration stops and relay becomes NO status. Red LED indication is on.
- Flashing red indicates abnormal: Possible causes overloads or short-circuit load back, equipment malfunction or wear tuning fork probe.

	Min. Mode		Max.Mode		
Level					Instrument failure
Contactless electronic switch	Switch open	Switch closed	Switch closed	Switch open	Switch open
Red LED					

It represents Blinking

OUTPUT STATUS FOR PNP / NPN TRANSISTOR

DIN & Cable type

- Low(Min.) Mode: Tuning fork switch will be active after 3 seconds while power on. Output transistor is on NO status and red LED indication is on. When tuning fork covered by testing medium,vibration will stop and output transistor becomes NC status. Red LED indication is off.
- High(Max.) Mode: Tuning fork switch will be active after 3 seconds while power on. Output transistor is on NC status and red LED indication is on. When tuning fork covered by testing medium,vibration will stop and output transistor becomes NO status. Red LED indication is off.
- Flashing red indicates abnormal: Possible causes overloads or short-circuit load back, equipment malfunction or wear tuning fork probe.

M12 x 4Pin type

- Low(Min.) Mode: Tuning fork switch will be actuated 3 seconds after the power is on. Relay is NO and red LED indication is off. When tuning fork is covered by testing medium, vibration stops and relay becomes NC. Red LED indication is on.
- High(Max.) Mode: Tuning fork switch will be actuated 3 seconds after the power is on. Relay is NC and red LED indication is off. When tuning fork is covered by testing medium, vibration stops and relay becomes NO. Red LED indication is on.
- Flashing red indicates abnormal: Possible causes overloads or short-circuit load back, equipment malfunction or wear tuning fork probe.

	Min. Mode		Max.Mode		
Level					Instrument failure
PNP/NPN Output	Switch open	Switch closed	Switch closed	Switch open	Switch open
Red LED (DIN& Cable)					
Red LED (M12x 4Pin)					

It represents Blinking

SC28 MINI-TYPE WIRING INSTRUCTIONS

SC280(TWO WIRES) WIRING

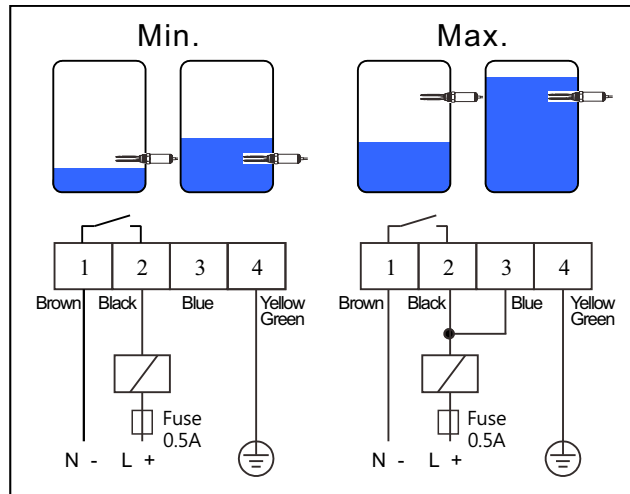
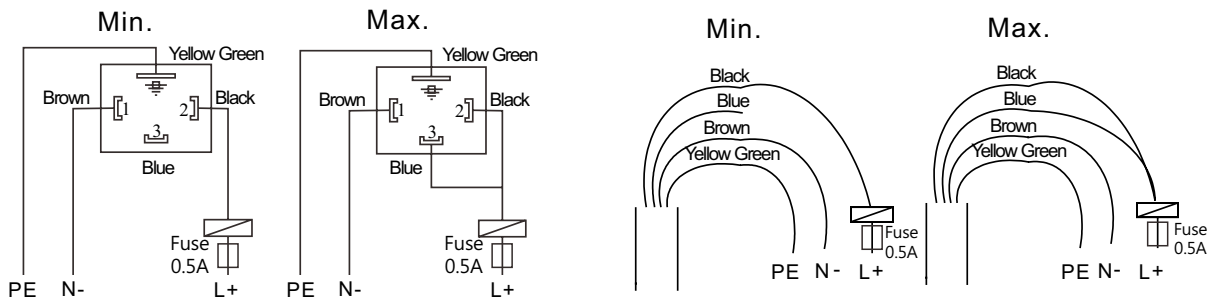


Figure 1 Two Wires Wiring



DIN Wiring Diagram

M12x4Pin Cable Wiring Diagram

Wiring

Power can be AC/DC switching. Two wires are connected with terminals (L+/N-) as in Figure 1.

■ **Low (Min.) mode:**

Pin 1 (Brown) is connected to N-. Pin 2 (Black) is connected to L+ with relay. Pin 4 (Yellow Green) connects to tank ground.

■ **High (Max.) mode:**

Pin 1 (Brown) is connected to N-. Pin 3 is connected to pin 2 (Black) to L+ with Relay. Pin 4 (Yellow Green) connects to tank ground.

SC28 MINI-TYPE WIRING INSTRUCTIONS

SC28P/N (THREE WIRES) WIRING

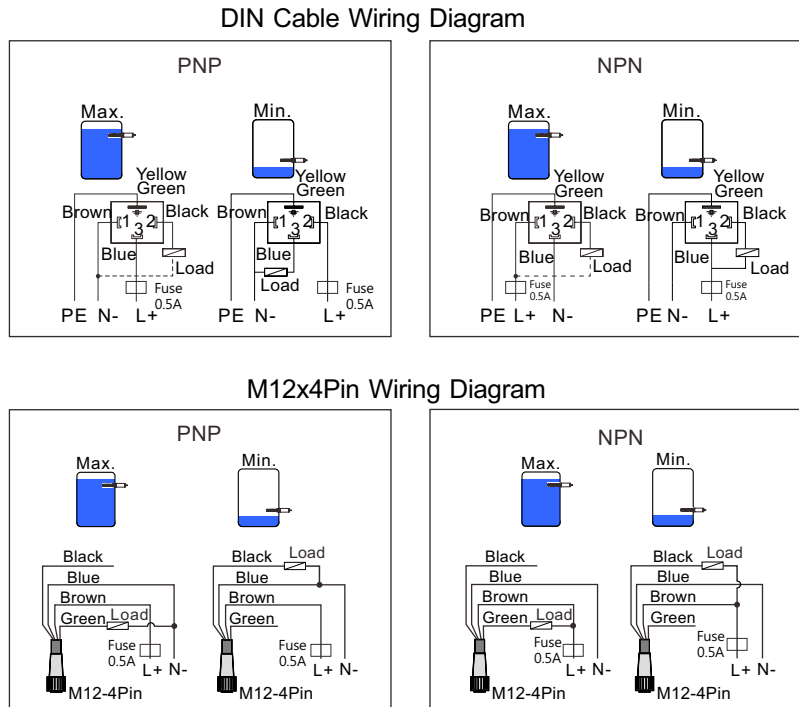


Figure 2 PNP / NPN Output Wiring Diagram

Wiring

Power supply is for DC only. Output is PNP / NPN and high / low level alarm. Please see Figure 2.

► DIN & Cable Wiring

PNP Output

- High (Max.) Mode: Pin 1(Brown) connects to N-. Pin 3 (Blue) connects to L+. To output, it is pin 2. (Black) connects to N- with relay. Pin 4 (Yellow Green) connects to tank ground.
- Low (Min.) Mode: Pin 1 (Brown) connects to N-. Pin 2 (Black) connects to L+. To output, Pin 3 (Blue) connects to N- with relay. Pin 4 (Yellow Green) should contact to tank ground.

NPN Output

- High (Max.) Mode: Pin 1 (Brown) connects to L+. Pin 3 (Blue) connects to N-. To output, Pin 2 (Black) connects to L+ with relay. Pin 4(Yellow Green) should contact to tank ground.
- Low(Min.)Mode: Pin1 (Brown) connects to N-. Pin 3 (Blue) connects to L+. To output Pin 2 (Black) connects to L+ with relay. Pin 4 (Yellow Green) should contact To tank ground.

► M12 x 4Pin Wiring:

PNP Output

- High(Max.) Mode: No. 1 pin(Brown) is connected to L+. No.3 pin(Blue) is connected to N-. Output is connected to No. 2 pin(Green), then connected to N-.
- Low(Min.) Mode: number 1 pin(Brown) is connected to L+. No.3 pin(Blue) is connected to N-. Output is connected to No. 4 pin(Black), then connected to N-.

NPN Output

- High(Max.) Mode: No. 1 pin(Brown) is connected to L+. No.3 pin(Blue) is connected to N-. Output is connected to No. 2 pin(Green), then connected to L+.
- Low(Min.) Mode: No. 1 pin(Brown) is connected to L+. No.3 pin(Blue) is connected to N-. Output is connected to No. 4 pin(Black), then connected to L+.

SC28 MINI-TYPE ORDER INFORMATION

SCX 5 ⑤ ⑥ ⑦ ⑧ - ⑨ ⑩ ⑪ ⑫ ⑬ ⑭ ⑮ ⑯ ⑰ ⑱ ⑲ ⑳ ㉑ ㉒ ㉓ ㉔ ㉕ ㉖ ㉗ ㉘

⑤ ⑥ **Model** _____
 00: Standard
 02: High temperature

⑦ ⑧ **Certification** _____
 00: None

⑨ **Construction** _____
 A: Standard
 B: Extension type
 D: Ultra extension type
 E: High temperature general type
 F: High temperature extension type
 G: High temperature ultra extension type

⑩ **Fork length** _____
 A: 40mm

⑪ **Housing** _____
 C: Compact

⑫ **Housing cover** _____
 C: Cable
 D: DIN43650
 M: M12x1(180°)
 N: M12x1(90°)
 ※M12x1 with cable, standard cable length 2M,
 PVC 24AWG

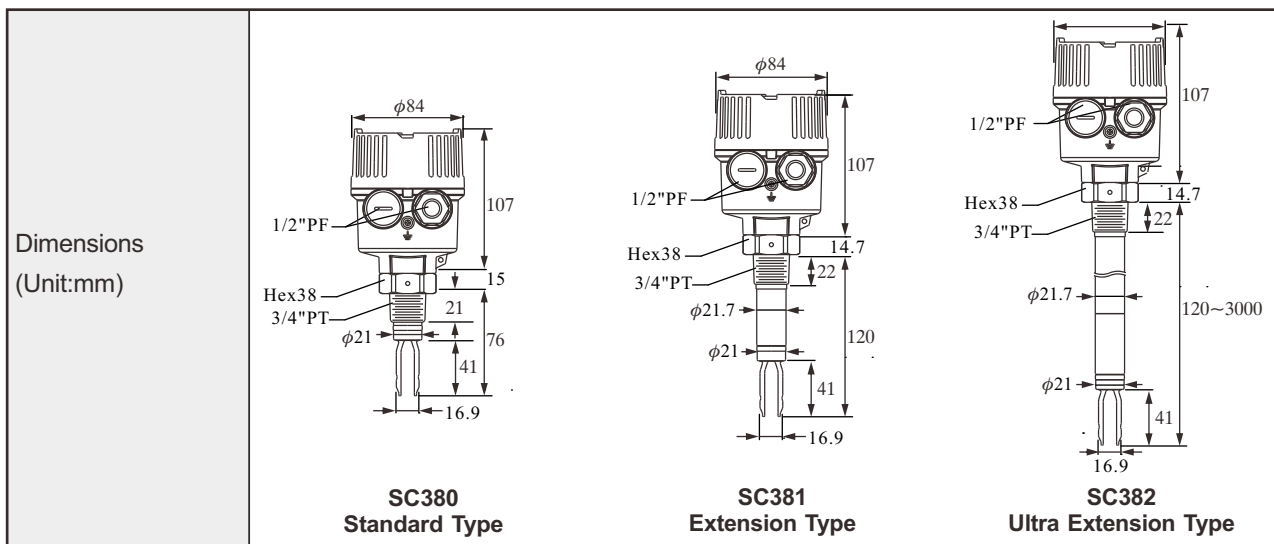
⑬ **Power supply** _____
 T: 20~250Vac/Vdc, 50/60Hz; 2 wire contactless electronic switch
 P: 12~55Vdc; 3 wire PNP output
 N: 12~55Vdc; 3 wire NPN output

(Next page)

SC38 MULTI-FUNCTIONAL TUNING FORK LEVEL SWITCH



NEPSI Ex ia IIC T3-T6 Ga



Output type	8/16mA output type	3 Wires (NPN/PNP) output type	Dual-relay output type
Working voltage	11 ~36 Vdc	10 ~55 Vdc	19~253Vac / 2dc,50 / 260Hz
Power consumption	< 600mW	< 830mW	Max. 1.3W
Input protection	Reversed power supply protection function		NA
Overvoltage protection	overvoltage category III		
Measuring error	Max.±1mm		
Repeatability	0.5mm		
Hysteresis band	Approx.2mm		
Ambient temp.	-40~85 °C (Intrinsically safe type -40~70 °C)	-40~85 °C(Refernce operation manual)	
Process temp.	-40~150 °C		
Applicable density liquid	≥0.5 g/cm ³ or ≥0.7 g/cm ³		
Liquid viscosity	Max.10000mm ² / S(10000cSt)		
Granule size contained in the liquid	Max.φ5 mm		
External diameter of conduit cable	φ6~φ10 mm		
Process pressure	Max.40 bar		
Output signal	Intrinsically safe signal 8 / 216mA	Transistor output (NPN/PNP)	2 sets of SPDT relay output
Contact capacity	NA	350mA , 55Vdc	6A / 250Vac , 6A / 28Vdc
Protection level	IP66/67		
Probe material	SUS 304 / 2316 / 316L		
Intrinsically safe parameters	Ui(V)=36V , li=100mA,Pi=1W Ci(nF)=0 , Li(uH)=0※	NA	NA

※ Must be equipped with intrinsic safety barrier to form a standard intrinsically safe system (Ex ia), please refer to another DM/brochure for TXX safety barrier.

SC38 MULTI-FUNCTIONAL TUNING FORK LEVEL SWITCH



NEPSI Ex ia IIC T3~T6 Ga

Dimensions (Unit:mm)	<p>SC380 High-temp. Type</p>	<p>SC381 High-temp. Extension Type</p>	<p>SC382 High-temp. Ultra Extension Type</p>
	<p>Output type</p>		
	<p>Working voltage</p>		
	<p>Power consumption</p>		

Output type	8/16mA output type	3 Wires (NPN/PNP) output type	Dual-relay output type
Working voltage	11 ~36 Vdc		10 ~55 Vdc
Power consumption	< 600mW		< 830mW
Input protection	Reversed power supply protection function		Max. 1.3W
Overvoltage protection	overvoltage category III		
Measuring error	Max.±1mm		
Repeatability	0.5mm		
Hysteresis band	Approx.2mm		
Ambient temp.	-40~85 °C(Refernce operation manual)		
Process temp.	-40~150 °C		
Applicable density liquid	≥0.5 g/cm ³ or ≥0.7 g/cm ³		
Liquid viscosity	Max.10000mm ² / S(10000cSt)		
Granule size contained in the liquid	Max.φ5 mm		
External diameter of conduit cable	φ6~φ10 mm		
Process pressure	Max.40 bar		
Output signal	Intrinsically safe signal 8/16mA	Transistor output (NPN/PNP)	2 sets of SPDT relay output
Contact capacity	NA	350mA , 55Vdc	6A / 250Vac , 6A / 28Vdc
Protection level	IP66/67		
Probe material	SUS 304 / 316 / 316L		
Intrinsically safe parameters	Ui(V)=36V , li=100mA,Pi=1W Ci(nF)=0 , Li(uH)=0※	NA	NA

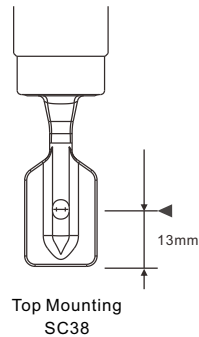
※ Must be equipped with intrinsic safety barrier to form a standard intrinsically safe system (Ex ia), please refer to another DM/brochure for TXX safety barrier.

SC38 MULTI-FUNCTIONAL TUNING FORK LEVEL SWITCH DESCRIPTION OF FEATURES

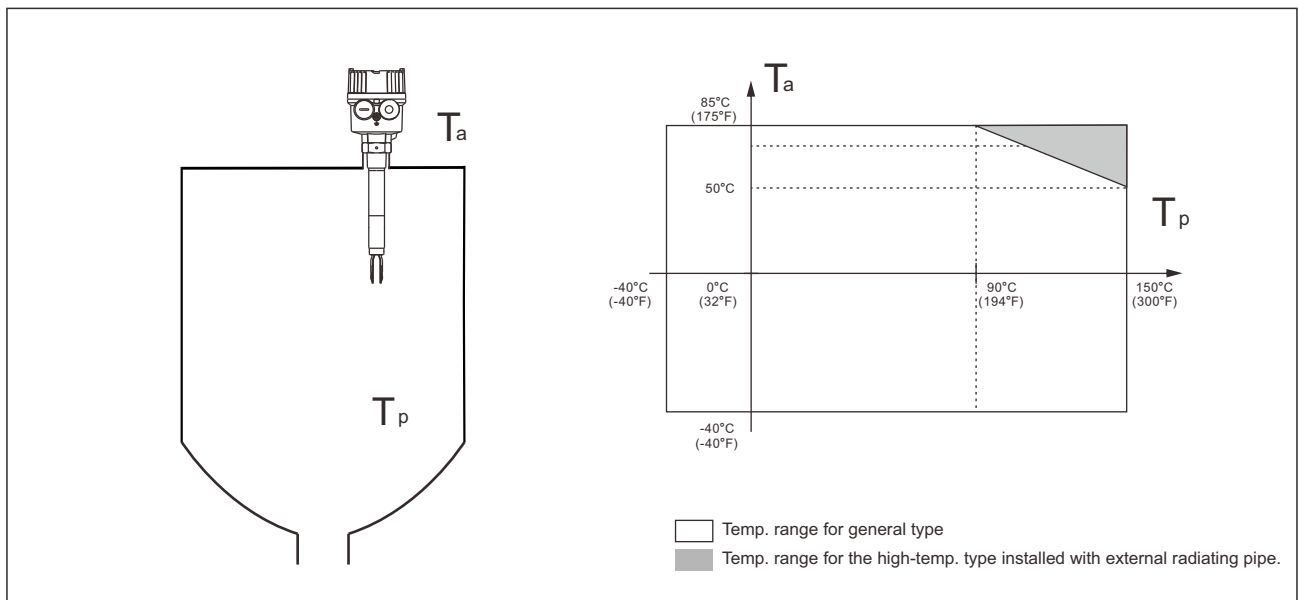
FORK TRIGGER POINT

The position of the SC38 fork trigger point depends on the mounting position as shown in the figure below: (When the testing medium is water, S.G.=1 g/cm³, distance of the trigger point is 13mm). If the testing medium has an S.G lower than 1g/cm³, the trigger point would rise. Similarly, the trigger point will move downward while the S.G is greater than water. The moving distance is subject to the S.G.

※Operating point position: ◀

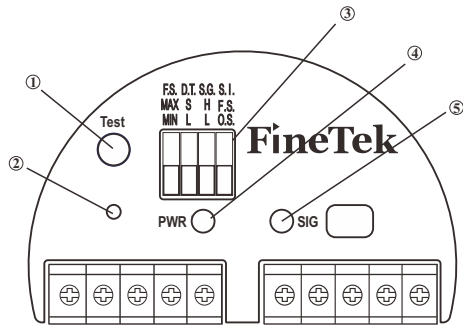


ENVIRONMENT AND PROCESS TEMPERATURE LIMITATION



SC38 MULTI-FUNCTIONAL TUNING FORK LEVEL SWITCH DESCRIPTION OF FEATURES

PANEL INTRODUCTION



- ①: Test button
- ②: Operation point calibration button
- ③: Function adjustment button
- ④: Power indicator
- ⑤: Status indicator

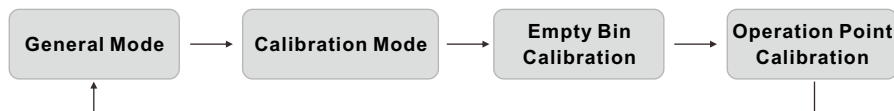
Abbreviation	Function	Option Description	Remarks
Test	Test button	Reverse the signal output	It is for the test after the installation is completed.
F.S.	Fail-Safe	MAX: High MIN: Low	It is for the high and low Fail-Safe mode.
D.T.	Delay Time	S: General setting L: Delay for 5 seconds	Covered by material: Approx. 0.5s Not covered by material: Approx. 1s Switch to L to set it at 5 seconds for either covered or not covered by material.
S.G.	Specific Gravity	H: $\geq 0.7 \text{ g/cm}^3$ L: $\geq 0.5 \text{ g/cm}^3$	The switch to set the material density.
S.I.	Signal Indication	F.S.: Fail-Safe mode O.S.: Output mode	Turn ON/OFF the yellow indicator based on the output status or the fail-safe status.

DESCRIPTION OF THE TEST BUTTON

This button is mainly provided for the user to check whether the output operation works normally after the installation is completed. When the button is pressed, the output current (8mA \leftrightarrow 16mA) and indicator (ON \leftrightarrow OFF) will be reversed. Once the button is released, it will recover the original status.

FUNCTION OF CUSTOMIZED OPERATION POINT POSITION

SC38 provides the function of customizing the operation point position according to what is required by the user.



Settings

1. Keep pressing "Calibration Button" for 3 seconds. When the red and green LED indicators flash every 0.5 second, it enters the calibration mode. Press the calibration button again to enter the Empty Bin Calibration mode.

[Empty Bin Calibration]

2. Calibration status: The red LED indicator flashes every 0.5 second, and the output current switches to operate every 0.5 second (8 \leftrightarrow 16mA).

3. This mode is to calibrate the vibration frequency of the tuning fork in the air. Press "Calibration Button" when the tuning fork doesn't touch any material. The unit will record the vibration frequency in the air, and enter the operation point calibration mode.

[Operation Point Calibration]

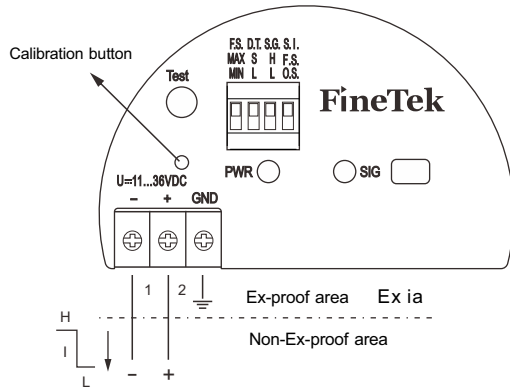
1. Calibration status: The red LED indicator flashes every 0.25 second, and the output current switches to operate every 0.25 second (8 \leftrightarrow 16mA).

2. Cover the material to the desired operating point position under this mode, and then press "Calibration Button". It will be adjusted to the corresponding operating point position according to the H/L setting of the S.G.

SC38 MULTI-FUNCTIONAL TUNING FORK LEVEL SWITCH WIRING INSTRUCTIONS

WIRING CONFIGURATION DIAGRAM AND INTRODUCTION OF FEATURES

8/16mA output

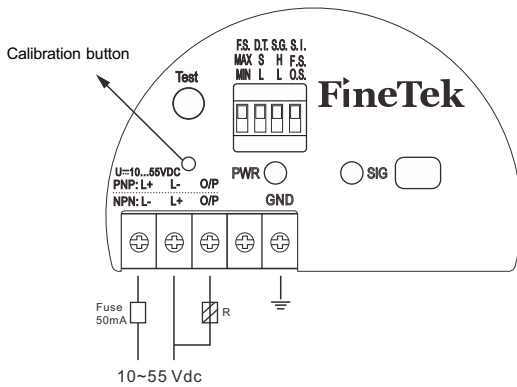


Failure mode	Material level	Output signal	LED indicators
MAX		+ 2 $\xrightarrow{\sim 16mA}$ 1	O.S. F.S.
		+ 2 $\xrightarrow{\sim 8mA}$ 1	O.S. F.S.
MIN		+ 2 $\xrightarrow{\sim 16mA}$ 1	O.S. F.S.
		+ 2 $\xrightarrow{\sim 8mA}$ 1	O.S. F.S.
Instrument failure		+ 2 $\xrightarrow{<3.6mA}$ 1	

$\sim 16mA = 16mA \pm 5\%$
 $\sim 8mA = 8mA \pm 5\%$

: ON : Flash : OFF

PNP/NPN Output



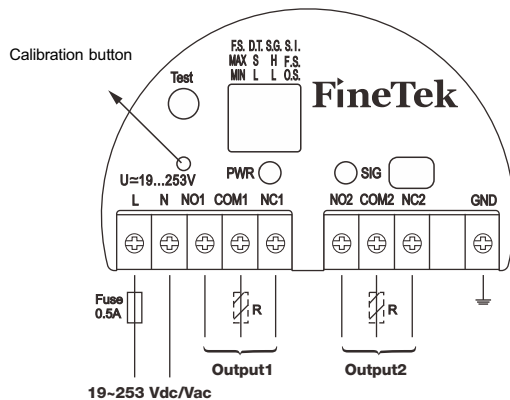
Failure mode	Material level	Output signal	LED indicators
MAX		$\square \xrightarrow{I_L} \square$	O.S. F.S.
		$\square \xrightarrow{<100\mu A} \square$	O.S. F.S.
MIN		$\square \xrightarrow{I_L} \square$	O.S. F.S.
		$\square \xrightarrow{<100\mu A} \square$	O.S. F.S.
Instrument failure		$\square \xrightarrow{<100\mu A} \square$	
Over Load ($I_L > 350mA$)		$\square \xrightarrow{<100\mu A} \square$	

I_L : Load current

: ON : Flash : OFF

R : External load
 $U = \text{max. } 55Vdc @ I_L = \text{max. } 350mA$

Dual Relay output



Failure mode	Material level	Output signal	LED indicators	
			PWR	SIG
MAX		 	O.S. F.S.	
		 	O.S. F.S.	
MIN		 	O.S. F.S.	
		 	O.S. F.S.	
Instrument failure		 		

R : External load
 $U = \text{max. } 250Vac @ I_L = \text{max. } 6A$
 $U = \text{max. } 28Vdc @ I_L = \text{max. } 6A$

: ON : Flash : OFF

SC38 MULTI-FUNCTIONAL TUNING FORK LEVEL SWITCH MODEL NUMBER / ORDER CODE COMPARISON TABLE

Model Number	Order Code
SC380C□□□□0	SCX500□□-AA
SC380F□□□□0	
SC380G□□□□0	
SC381C□□□□1	SCX500□□-BA
SC381F□□□□1	
SC381G□□□□1	
SC382C□□□□2	SCX500□□-CA
SC382F□□□□2	
SC382G□□□□2	
SC380C□□□□3	SCX502□□-EA
SC380F□□□□3	
SC380G□□□□3	
SC381C□□□□4	SCX502□□-FA
SC381F□□□□4	
SC381G□□□□4	
SC382C□□□□5	SCX502□□-GA
SC382F□□□□5	
SC382G□□□□5	

ACCESSORIES

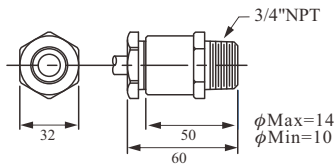
Cable Conduit - Ex d IIC

Material: Washer — NBR

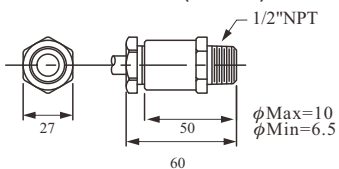
Body— Copper alloy(3/4"NPT)

Nickel plated(1/2"NPT)

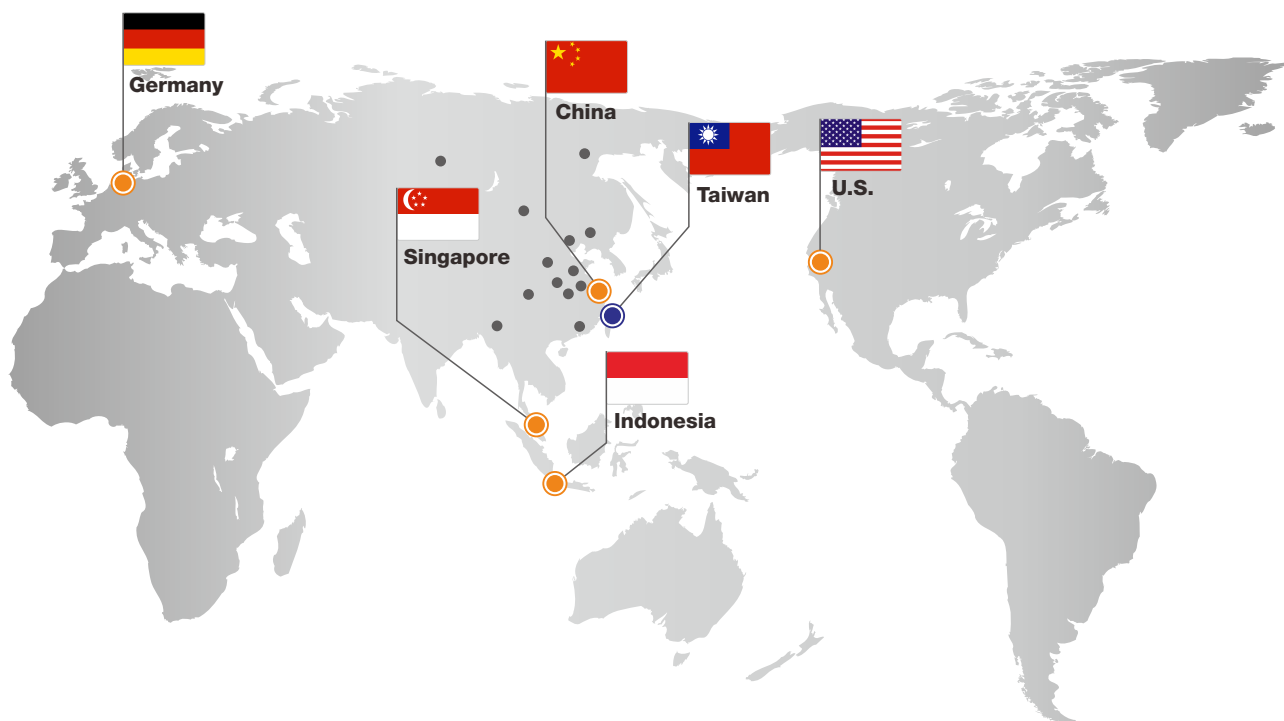
HP415-A23100MH01(29-1104)



HP415-A23000MG01(29-1108)



Global Network



■ Head Quarter

● Taiwan

FineTek Co., Ltd. - Taipei Head Quarter

No.16, Tzuchiang St., Tucheng Industrial Park
New Taipei City 236, Taiwan
TEL: 886-2-2269-6789
FAX: 886-2-2268-6682
EMAIL: info@fine-tek.com

■ North America

● California, U.S.

Aplus Finetek Sensor Inc. - US Office

355 S. Lemon Ave, Suite D
Walnut, CA 91789
TEL: 1 909 598 2488
FAX: 1 909 598 3188
EMAIL: info@aplusfine.com

■ Europe

● Germany

FineTek GmbH - Germany Office

Bei den Kämpen 26
21220 Seevetal-Ramelsloh, Germany
TEL: +49-(0)4185-8083-12
FAX: +49-(0)4185-8083-80
EMAIL: info@fine-tek.de

■ Asia

● China

Fine automation Co., Ltd. - Shanghai Factory

No.451 DuHui Rd, MinHang District, Shanghai,
China 201109
TEL: 86-21-6490-7260
EMAIL: info.sh@fine-tek.com

● Singapore

FineTek Pte Ltd. - Singapore Office

37 Kaki Bukit Place, Level 4 Singapore 416215
TEL: 65-6452-6340
EMAIL: info.sg@fine-tek.com

● Indonesia

PT. FineTek Automation Indonesia - Indonesia Office

PERGUDANGAN TUNAS BITUNG
JL. Raya Serang KM. 13,8, Blok C3 No. 12&15, Bitung Cikupa,
Tangerang 15710
TEL: 62 (021)-2958-1688
EMAIL: info.id@fine-tek.com



ООО "РусАвтоматизация"

454010 г. Челябинск, ул. Гагарина 5, оф. 507
тел. 8-800-775-09-57 (звонок бесплатный), +7(351)799-54-26, тел./факс +7(351)211-64-57
info@rusautomation.ru; rusavtomatizatsiya.pf; www.rusautomation.ru