

Linking your system



Flow sensors EMA FL62



EMA's electronic flow sensors operate in accordance with theory of thermo-diffusion that the sensors are using a physical principle, flowing mediums absorption and heat transportation. There are two thermistors and one heater in the probes. This heat cause an increase in temperature in certain areas, and the increased part is detected by one probe of them. As long as the mediums passes by, the probe can cool down which is again detected by the thermistors. Absorption rate are put into relation to a rate of flow which is indicated on the unit. Flow direction and position of sensor do not matter because the unit works without mechanical parts.



ООО "РусАвтоматизация"

454010 г. Челябинск, ул. Гагарина 5, оф. 507
 тел. 8-800-775-09-57 (звонок бесплатный), +7(351)799-54-26, тел./факс +7(351)211-64-57
info@rusautomation.ru; rusautomation.ru; www.rusautomation.ru

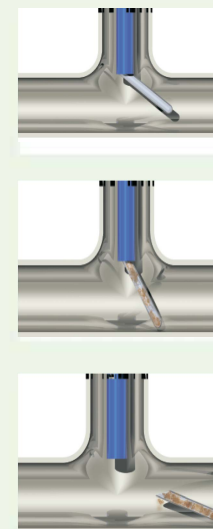


Features

FL series is an electronic device designed for monitoring a certain rate. Without mechanical components, this guarantees a reliable monitoring even in case of complex mediums over a long period. The purpose of FL series is to output a signal when the flow rate reaches the set-up range. Through control calculation, FL series can proceed to warn or activate the chain of protection system in order to protect the key equipments and to avoid unexpected damage in production. It can not only successfully reduce the possibility of breakdown and the cost of maintenance, but also keep the countless reliability of operational safety and of economic benefits. FL series is provide stable and steady service and are useable in hazardous areas by adapting to the theory of thermo-diffusion. It can be inserted into the tube or the container and set up the flow rate to an expected value. FL series is an electronic flow sensor meant for modern industry. It is applied widely in highly developed countries and has surpassed traditional flow switches.

Electric flow sensor is more stable and durable than traditional mechanical switch

Mechanical Flow Switches



- ✗ Detect the flow mediums by the swing amplitude of the mechanical paddles or probes.
- ✗ No matter of paddles or probes, the detection will be affected by the low sensitivity due to the rusty probes under a long-term operation.
- ✗ Serious rustiness even causes the break of paddles or probes, and then falling probes may clog up the pipes or damage the machines. It not only makes the mechanical flow switches operate falsely, but also face the derivative problems on the maintenance of pipe system and of machines.

Smart Flow Sensors



- ✓ Equipped with a mini probe, FL series does not effect the flow of mediums while detecting the flow rate.
- ✓ The unit is also usable for applications with a slow rate of flow which causes a slow dissipation in temperature at the probe. On the contrary, fast rates of flow can also be detected very easily up to a maximum rate of flow.
- ✓ Using stainless steel for the probe means no rust and more accurate readings.

Flow Sensors
 Pressure Sensors
 Temperature Sensors

Flow + Temperature Sensor

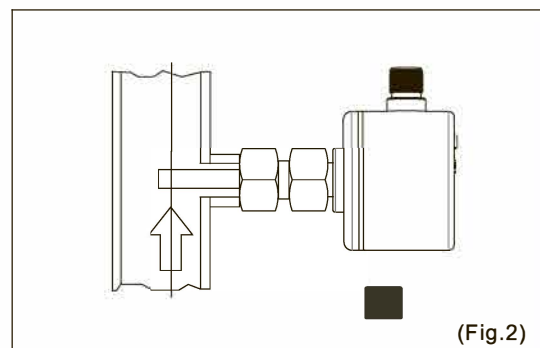
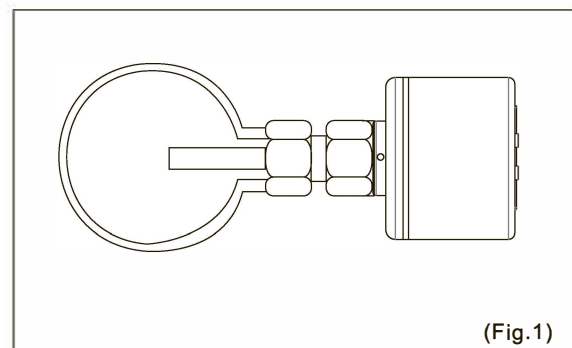
Flow + Temperature Sensor is the most progressive technique and is created exclusively to satisfy the demands of customers. It perfectly combines temperature sensor and flow sensor in one unit. The LED bar can display indication of the temperature and flow range as well as output warning signals separately. With features such as high precision, usage of very small space, user-friendly handling and impressive design it can be applied in all industries. Those deal with electricity, sewage disposal, petroleum, chemical engineering, metallurgy, glass, coolant system, machinery production and more.



- 1 Unique design in the world, programmable smart flow + temperature sensor
- 2 Users can set the range and switch point of flow rate and temperature through the buttons
- 3 Interactive visualization interface make it easier to monitor on-site
- 4 Built-in high precision sensor chip, widely used in detecting gas and liquid
- 5 Overload, short-circuit and reverse polarity power protection
- 6 Stainless steel housing

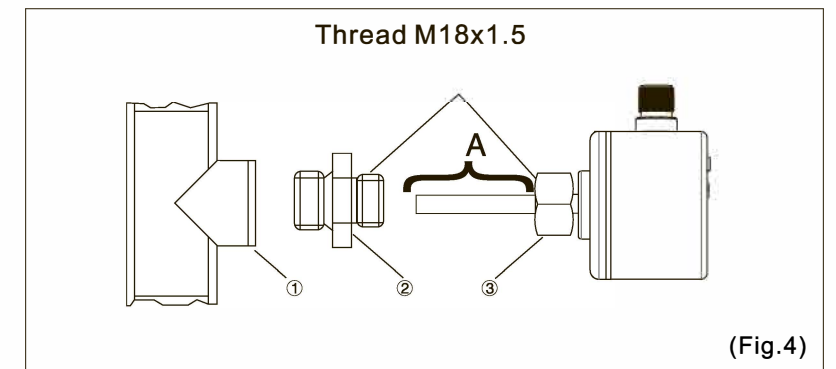
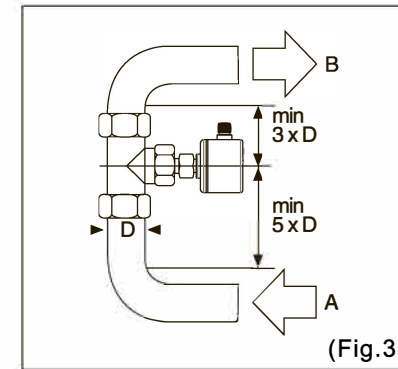
Installation

1. It is strongly suggested to install the sensor in the sides while installing it in the horizontal pipe.(Fig.1)
- It is supposed to clear up the sediments while installing the sensor in the bottom of the pipe.
- It is supposed to pay attention to the medium occupied the pipe while installing the sensor in the top of the pipe.
2. Please install the sensor in the place which the medium flows upward while installing it in the vertical pipe.(Fig.2)



Avoiding damage, the user should watch out for the minimum distance between the sensor and the curve, the valve and the cross section which changes.(Fig.3):

- Entrance (A) min.5xD
- Exit (B) min.3xD
- Diameter of the pipeline(D)



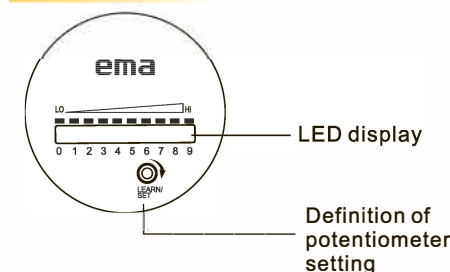
- 1.To screw the nut smoothly, please add the lubricant on the nut ③ and the threads. (Fig.4)
Notice: It is disallowed to add lubricant on the sensor probe(A).
2. Screw a suitable adapter ② to the joint ①. (Fig.4)
3. Insert the sensor to the adapter and then screw the nut ③ (The biggest screwing torque: 50Nm). (Fig.4)

The depth of insertion: The minimum depth inserting to the pipeline is 12mm. To insure the correct depth, the user can use an adapter ②(Accessory; optional order).
Notice: The probe of sensor is not allowed to contact the wall of the pipe.

Menu setting and indication status

Control panel

Potentiometer type



Definition of potentiometer setting

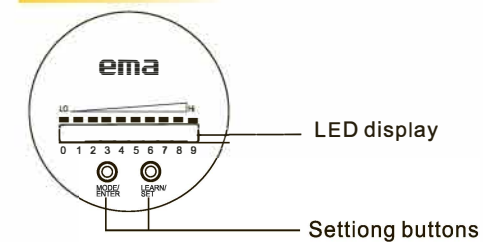
SP setting:
Rotate in clockwise direction, LED increase
Rotate in anticlockwise direction, LED decrease

Display function (Operation mode)

	Overflow flow (LED flashes)
	SP setting (LED 1 display)
	Current flow in display range (LED bar green)
	Exceed flow range (LED full display)

LED = Red LED = Green

Smart type



Button definition

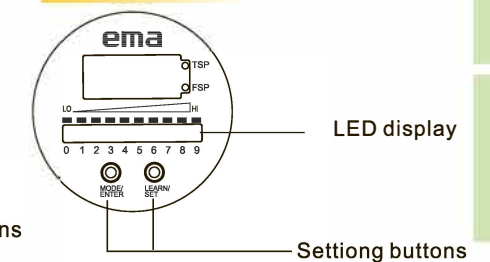
MODE / ENTER: Selection / Confirmation
Learn/Set: Adjust to the biggest / smallest flow; value setting(Keep pressing button to scroll the display; Press button once to increase the value progressive.)

Display (Operation)

	In the display range (LED bar Green)
	Over the flow range (LED 9 Flash)
	Current is too low (LED 0 Flash)

Switching point display (SP) :
LED Orange: Flow>SP; LED Red: Flow<SP

Flow+Temp. type



Button definition

MODE/ENTER: Selection / Confirmation
LEARN/SET: Adjust the setting rate of flow/value, the temperature SP (display, output, calibration of temperature, flow SP, and remote enable function.)

Display (Operation)

	In the display range (LED bar Green)
	Over the flow range (LED 9 Flash)
	Current is too low (LED 0 Flash)



Switching point display (SP) :
LED Orange: Flow>SP; LED Red: Flow<SP



- Programmable flow sensor. User can set the flow range and switch point via buttons easily
- Sensible substance: gas, liquids
- Power protection: overload, shortcircuit, reverse polarity
- Medium temperature: -25°C~80°C
- Robust housing/probe stainless steel 316L
- Protection: IP68



Accessories:

Type	Connector Order No.						Drawing No.
 I	C	02	I	5	C	12	I : E3U11
	C: Cable	Length 02: 2M 05: 5M 10: 10M	Connector I: Straight L: Angled	Pole 4: 4 5: 5	Material R: PUR C: PVC S: PVC Shielded wire	Size 12: M12	L : E3U12
 L							

Order No.	US0001	US0002	US0003	US0007	US0009	US0023
Type						
	M18 x 1.5 – M12 x 1	M18 x 1.5 – G1/4"	M18 x 1.5 – G1/2"	M18 x 1.5 – Ø24mm	M18 x 1.5 – M18 x 1.5	M18 x 1.5 – G1/4"
Drawing No.	E3U01	E3U02	E3U03	E3U07	E3U08	E3U09

* US0023 is used for low flow rate

Order NO.

FL60 Smart type

Order NO.	Thread Type	Thread	Sensible Range Liquid (cm/s)	Sensible Range gas (cm/s)	Output	Probe Length (mm)	Supply Voltage (V)	Drawing No.
FL6001	Internal	M18x1.5	3~300	200~3000	PNP NO/NC	45	20~36 DC	E3F01
FL6002	Internal	M18x1.5	3~300	200~3000	NPN NO/NC	45	20~36 DC	E3F01
FL6003	Internal	M18x1.5	3~300	200~3000	RELAY NO/NC	45	20~36 DC	E3F01
FL6004	Internal	M18x1.5	3~300	200~3000	RELAY NO/NC	45	85~265 AC	E3F01
FL6005	Internal	M18x1.5	3~60	200~800	4~20mA	45	20~36 DC	E3F01

FL60 Extra length probe

Order NO.	Thread Type	Thread	Sensible Range Liquid (cm/s)	Sensible Range gas (cm/s)	Output	Probe Length (mm)	Supply Voltage (V)	Drawing No.
FL6011	Internal	M18x1.5	3~300	200~3000	PNP NO/NC	100	20~36 DC	E3F01
FL6012	Internal	M18x1.5	3~300	200~3000	NPN NO/NC	100	20~36 DC	E3F01
FL6013	Internal	M18x1.5	3~300	200~3000	RELAY NO/NC	100	20~36 DC	E3F01
FL6014	Internal	M18x1.5	3~300	200~3000	RELAY NO/NC	100	85~265 AC	E3F01

FL61 Titanium alloy probe

Order NO.	Thread Type	Thread	Sensible Range Liquid (cm/s)	Sensible Range gas (cm/s)	Output	Probe Length (mm)	Supply Voltage (V)	Drawing No.
FL6101	Internal	M18x1.5	3~300	200~3000	PNP NO/NC	45	20~36 DC	E3F01
FL6102	Internal	M18x1.5	3~300	200~3000	NPN NO/NC	45	20~36 DC	E3F01
FL6103	Internal	M18x1.5	3~300	200~3000	RELAY NO/NC	45	20~36 DC	E3F01
FL6104	Internal	M18x1.5	3~300	200~3000	RELAY NO/NC	45	85~265 AC	E3F01

Technical parameters:

Housing/Probe material: Stainless steel 316L
 Connection: M12 Socket
 Pressure rating [bar]: 300
 Max. current load [mA]: 400
 Voltage drop [V]: < 2.5
 Power-on delay time [s]: < 8
 Output response time [s] : < 2
 4...20mA Output accuracy: ± 10%
 Medium temperature[°C]: -25...80



Flow Sensors
Pressure Sensors
Temperature Sensors



- Programmable smart flow + temperature sensor, user can set flow range and switch point via buttons easily
- Visual indication makes the control of this sensor easier
- Sensible substance: gas, liquids
- Power protection: overload, short-circuit, reverse polarity
- Medium temperature: -25°C~80°C
- Robust housing/probe stainless steel 316L
- Protection: IP68



Accessories:

Type	Connector Order No.						Drawing No.
	C	02	I	5	C	12	I : E3U11
	C: Cable	Length 02: 2M 05: 5M 10: 10M	Connector I: Straight L: Angled	Pole 4: 4 5: 5	Material R: PUR C: PVC S: PVC Shielded wire	Size 12: M12	L : E3U12

Order No.	US0001	US0002	US0003	US0007	US0009	US0023
Type						
	M18 x 1.5 – M12 x 1	M18 x 1.5 – G1/4"	M18 x 1.5 – G1/2"	M18 x 1.5 – Ø24mm	M18 x 1.5 – M18 x 1.5	M18 x 1.5 – G1/4"
Drawing No.	E3U01	E3U02	E3U03	E3U07	E3U08	E3U09

* US0023 is used for low flow rate

Order NO.

Order NO.	Thread Type	Thread	Sensible Range Liquid (cm/s)	Sensible Range gas (cm/s)	Output	Probe Length (mm)	Supply Voltage (V)	Drawing No.
FL6201	Internal	M18x1.5	3~300	200~3000	PNP NO/NC	45	20~36 DC	E3F03
FL6202	Internal	M18x1.5	3~300	200~3000	NPN NO/NC	45	20~36 DC	E3F03

Technical parameters:

Housing/Probe material: Stainless steel 316L
 Connection: M12 Socket
 Pressure rating [bar]: 300
 Max. current load [mA]: 2 x 400
 Voltage drop [V]: < 2.5
 Power-on delay time [s]: < 8
 Output response time [s]: < 2
 Temperature display accuracy [°C]: ± 0.5
 Medium temperature [°C]: -25...80

Flow Sensors

Pressure Sensors

Temperature Sensors