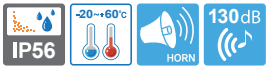


SANA series

Air Horns for Vessels and Heavy Industrial Applications



SANA200-200-300HZ
SANA400-400-600HZ
SANA700-700-800HZ



SANA200

Common Specifications(SANA200/ SANA400/ SANA700)

- High volume horn uses compressed air to power the high pitched sound made with the diaphragm
- Uses a special material which consumes a small quantity of compressed air and has long durability
- Suitable for applications like a large and noisy engine rooms, a phone alarm in a pump room, or as an emergency alarm
- Sound volume : Max 130dB at 1m
- Housing standard color : ● R-Red, ● B-Black, ● 7.5BG-MUNSELL No.7.5BG 7/2
- Materials : Horn-PC, Solenoid valve box-ABS
- Air pressure : 5-7kg/cm²
- Ambient operation temperature : -20°C to +60°C
- Protection rating : IP 56
- Certificates : KIMM Compliant

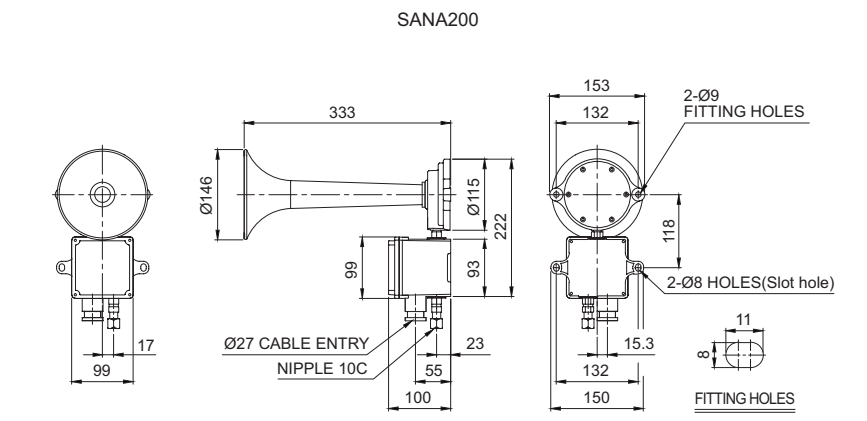
| Model number | Frequency | Volume | Certificates | Weight | Voltage | Current | Color |
|--------------|-----------|-----------|--------------|--------|---------|---------|------------|
| SANA200 | 200-300Hz | Max 130dB | | 1.19kg | DC24V | 0.448A | ● R-Red |
| SANA400 | 400-600Hz | | | 1.13kg | AC110V | 0.111A | ● BK-Black |
| SANA700 | 700-800Hz | | | 1.07kg | AC220V | 0.055A | ● 7.5BG |

SANA200 200-300Hz

Technical Diagram (Units : mm)

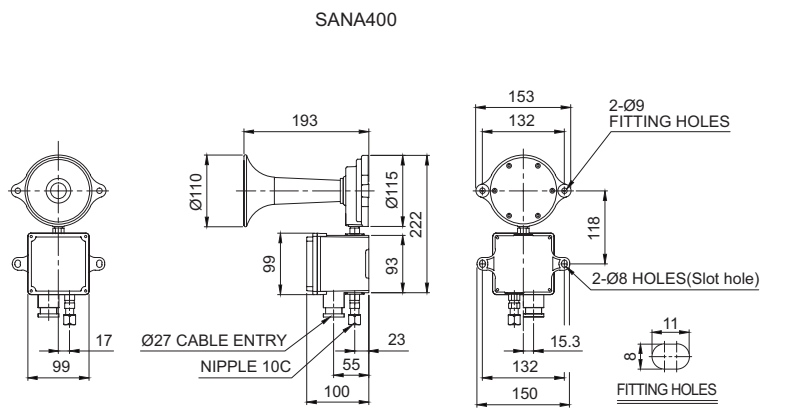


SANA400



SANA400 400-600Hz

Technical Diagram (Units : mm)



SANA700 700-800Hz

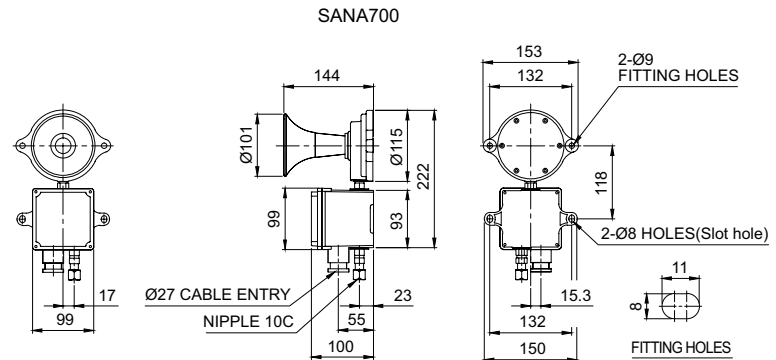


SANA700



Technical Diagram

(Units : mm)



Ordering Specification

| | | | | |
|----------------|---|--------------|---|------------|
| SANA200 | - | 220 | - | R |
| [Model number] | | [Voltage] | | [Color] |
| • SANA200 | | • 24-DC24V | | • R-Red |
| • SANA400 | | • 110-AC110V | | • BK-Black |
| • SANA700 | | • 220-AC220V | | • 7.5BG |



Customization

- Horn and solenoid valve box available separately for individual installation
- Non return valve and Y filter installation



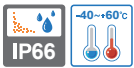
Non return valve



Y filter

QEB

Explosion Proof Solenoid Valve Box



QEB



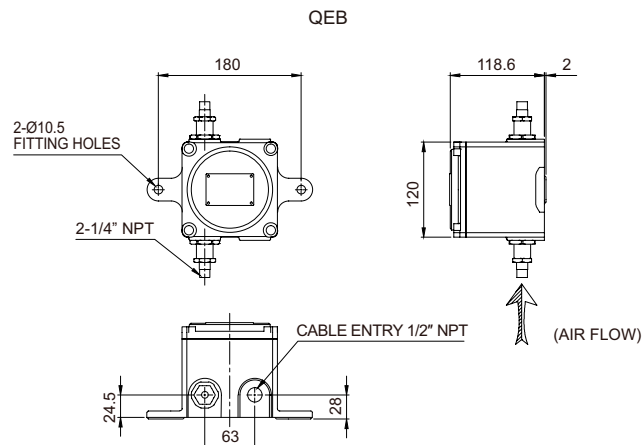
QEB Explosion Proof Solenoid Valve Box

- Materials : Housing, Cover-Al
- Ambient operation temperature : $-40^{\circ}\text{C} \leq T_{\text{amb}} \leq +60^{\circ}\text{C}$
- Protection rate : Ex d IIC T6, IP66
- Certificates : KIMM Compliant
- Left picture has a cable gland installed, explosion proof cable gland configuration is available as a customized option



Technical Diagram

(Units : mm)



Ordering Specification

| | | |
|----------------|---|--------------|
| QEB | - | 24 |
| [Model number] | | [Voltage] |
| • QEB | | • 24-DC24V |
| | | • 110-AC110V |
| | | • 220-AC220V |