



# TUBA 1" 1/4

## FLOAT LEVEL DETECTOR

For detection with one or several devices according to the use

It is always recommended placing a switch as an ALARM



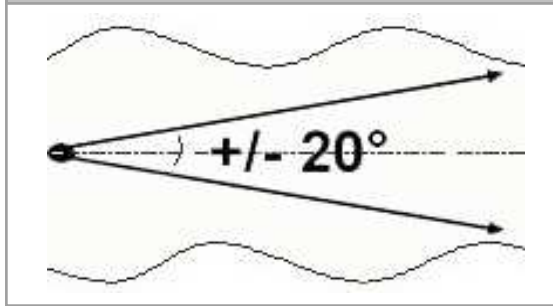
### USE

VR – Emptying / Filling

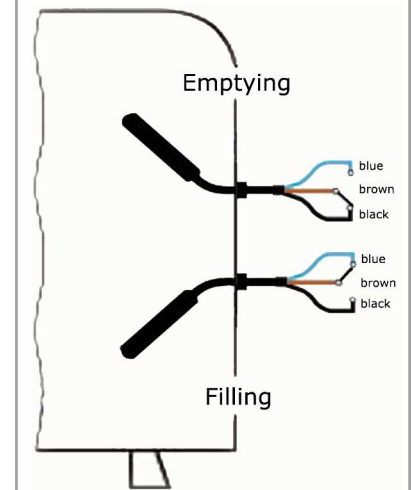
### SIZE

Height: 160 mm – Diameter: 36 mm

### DIFFERENTIAL ANGLE



### WIRING



Please, refer to the connection diagram enclosed to each float delivered.

### APPLIANCES

Suitable for level detection of liquids in tanks, cisterns, reservoirs and others, such as automatic regulation of pumps and «ALARM» level detection. Highly recommended for industrial uses. The 1"1/4 diameter enables getting a cut-out power more important compared to the TUBA 1" one.

### TECHNICAL CHARACTERISTICS

|   |  |
|---|--|
| <b>Operation mode</b>                       | Omnidirectional                                |
| <b>Allowed fluid density</b>                | 0,75 to 1,50                                   |
| <b>Maximum pressure</b>                     | 5,5 bars                                       |
| <b>Maximum temperature</b>                  | 85°C   |
| <b>Protection index</b>                     | IP 68 <input type="checkbox"/>                 |
| <b>Electric characteristics</b>             | 250 VAC- 50/60 Hz                              |
| <b>Cut-out power</b>                        | 12 (6) A (12 A resistive - 6 A inductive)      |
| <b>Microswitch</b>                          | Silver / nickel reverser contacts              |
| <b>Cylindrical shape</b>                    | Copolymer polypropylene                        |
| <b>Cable</b>                                | Neoprene - A05RN8-F                            |
| <b>Cable type</b>                           | 3 conductors 0,75 mm <sup>2</sup>              |
| <b>Float weight without cable</b>           | 75 g   |
| <b>Cable weight</b>                         | Neoprene 55 g/m                                |
| <b>Adjustable ballast on cable (option)</b> | Loaded resin 175 g                             |
| <b>Standard cable length (series)</b>       | 2, 3, 5, 10 and 20m (other lengths on request) |