

SM series

Motor Sirens



110dB



SM30

116dB



SM40



Continuous operation rating time is 10 mins. Over 10 mins of continuous operation may cause motor damage. Please be careful.



Ordering Specification

SM30	-	24
[Model number]		[Voltage]
• SM30 • SM40		• 12-DC12V • 24-DC24V • 110-AC110V • 220-AC220V

SM30 Miniature Motor Siren

- Ø80mm compact structure with 110dB sound output
- Motor RPM : 10,000RPM
- Materials : Steel
- Power consumption : 40W
- Protection rating : IP 44
- Housing standard color : Red
- Insulation resistance : 100MΩ(at 500 VDC)
- Ambient operation temperature : -25°C to +50°C



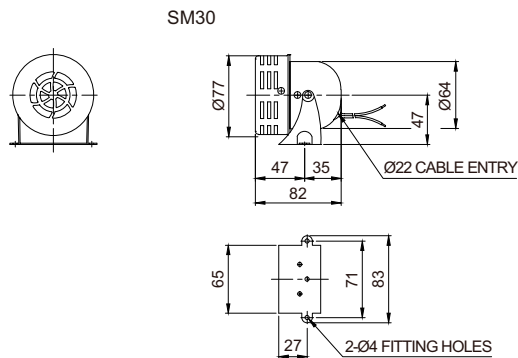
Specifications

Model number	Volume	Voltage	Current	Certificates	Weight	Rated time
SM30	110dB	DC12V	3.222A	-	0.22kg	10 min
		DC24V	1.779A		0.22kg	
		AC110V	1.333A		0.42kg	
		AC220V	1.000A		0.42kg	



Technical Diagram

(Units : mm)



SM40 Miniature Motor Siren

- Ø100mm compact structure with 116dB sound output
- Motor RPM : 7,000RPM
- Materials : ABS
- Power consumption : 80W
- Protection rating : IP 44
- Housing standard color : Gray
- Insulation resistance : 100MΩ(at 500 VDC)
- Ambient operation temperature : -25°C to +50°C



Specifications

Model number	Volume	Voltage	Current	Certificates	Weight	Rated time
SM40	116dB	DC12V	6.778A	-	0.53kg	10 min
		DC24V	3.666A		0.53kg	
		AC110V	1.000A		0.68kg	
		AC220V	0.722A		0.68kg	



Technical Diagram

(Units : mm)

