

E-AR-20 SERIES

DIGITAL WOOD MOISTURE CONTENT METER

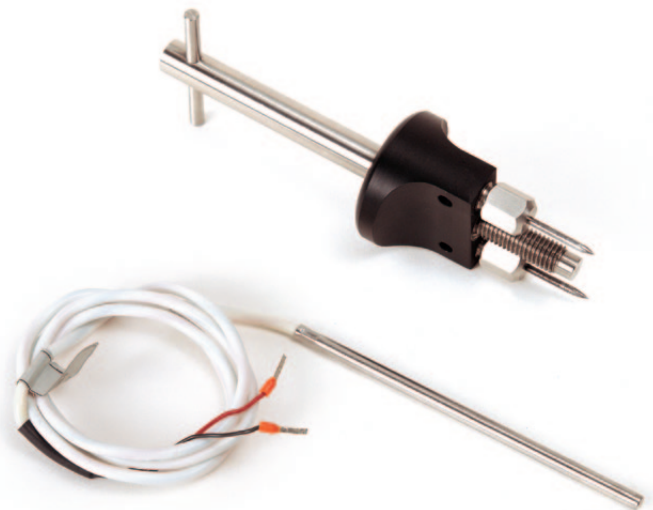


DESCRIPTION

E-AR-20 Series digital wood moisture content meters are designed by using new generation micro-controllers. Unit dimensions are 96x96 mm, confirming to IEC/TR 60668 and programmable easily. E-AR-20 is used at such industrial benches as wood process & coating, chipboard production etc.

E-AR-20 Series digital wood moisture content meter has two displays, one is for humidity values and the other is for temperature shown at the same time.

Strike type of humidity probe is used together with E-AR-20 which has one analog output for humidity values. And also E-AR-20 has Pt-100 input for temperature regulations. As an optional, it can be connected to a PC via RS485 MODBUS communication line and data can be followed and stored.



TECHNICAL SPECIFICATIONS

Accuracy Class	0.1
Display	2x4 LED (14 mm)
Operating Temperature	-10 ... 55°C
Power Supply	85-265 V AC / 85-375 V DC 20-60 V AC / 20-85 V DC
Input	1 Pt-100, 1 Moisture Probe input
Output	1 analog output (0/4-20 mA)
Communication	RS485
Weight	430 gr

PROBE'S TECHNICAL SPECIFICATIONS

- Screw type removal device
- Strengthened steel nail
- Easy mounting

ORDERING GUIDE

E-AR-20 Series Digital Wood Moisture Content

E-AR-20 - U - V - W - X - Y - Z

Standard Features

- 1 analog output
- 1 Pt-100 input

Relay Outputs

None	0
1 relay (1xNA-O)	1
2 relays (2xNA-O)	2

Output

None	0
1 analog output (0-20 / 4-20 mA) isolated	1
1 analog output (0-10 VDC) isolated	2

Communication

None	0
RS485 Modbus	1

Probe Type

Without probe	0
Probe type (Uncable)	1
Probe type (Cable - 5 m)	2
Probe type (Cable - 10 m)	3
Probe type (Cable - 15 m)	4

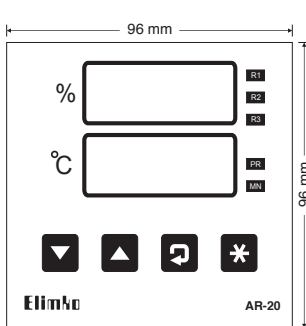
Instrument Type

Panel Mounting (96x96)	1
Wall Mounting	2

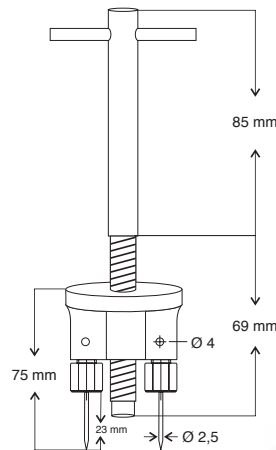
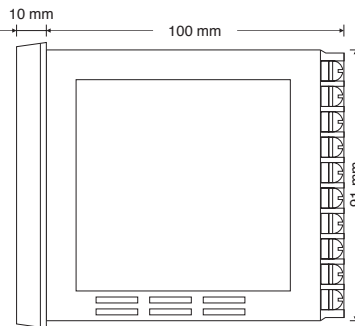
Power Supply

85-265 V AC / 85-375 V DC	1
20-60 V AC / 20-85 V DC	2

DIMENSIONS



Panel cut-out = 92x92 mm



ООО "РусАвтоматизация"

454010 г. Челябинск, ул. Гагарина 5, оф. 507
 тел. 8-800-775-09-57 (звонок бесплатный), +7(351)799-54-26, тел./факс +7(351)211-64-57
info@rusautomation.ru; русавтоматизация.рф; www.rusautomation.ru