



ZQ-9

SERIES

Ø96mm

Signal Light/Medium Size

Medium size ball dome lamp design
 Exquisite appearance streamline design language Lampshade
 surface smooth design, not easy to dust
 Lamp shade prism optical design, warning effect is very obvious
 Support open collector, PLC can be driven directly



Technical Parameters

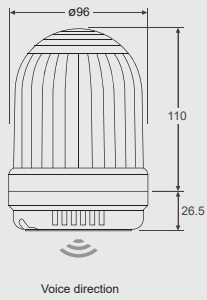
Standard		IEC/EN 61000-6			
Signal		CE			
The environment temperature	Storage	-40°C~+70°C			
	Operating	-25°C~+55°C			
Operating humidity		45 to 85%RH			
Degree of Protection		I P65 Watertight/Oitight			
Material	Lampshade	PC			
	Light body	PA66			
Light source		LED			
Rated insulation voltage	IEC60947-1	>800V			
Voltage range	IEC60947-5-1	V0.85~1.10Un			
Rated Voltage		12V/DC	24V/DC	110V/AC	220V/AC
LED Current	Red	120mA	60mA	13mA	13mA
	Yellow	120mA	60mA	13mA	13mA
	Green	120mA	60mA	13mA	13mA
	Blue	120mA	60mA	13mA	13mA
	White	120mA	60mA	13mA	13mA
LED冲击电流 Surge current	All Colors	200mA	100mA	100mA	100mA
Frequency	Flashing	About 1Hz			
	Rotating light	About 100 r/min			
Buzzer	Current	18mA			
	Volume	85dB			
Electrical life		About 50,000 hours			
Connection mode	Wire	UL1007 AWG22 (L=200mm)			
	Connector	Screw TYPE PCB terminal, spacing 5.0mm-2p/3p			

Select Code

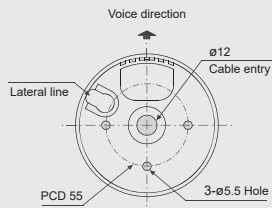


- Voltage: 01 = 12V/DC
02 = 24V/DC
11 = 110V/AC
22 = 20V/AC
- Sound way: None = Sound way
A = Continuous tone
B = Intermittent sound
- Color: Red = R
Yellow = Y
Green = G
Blue = B
White = W
- Function: None = LED Steady
1 = LED Flashing
2 = LED Rotating light
- Lamp Shade Color: No letters=Color
C=Transparent color
- Stent models: None = Direct mount
A = 25A E = 25E
B = 22B J = 25J
C = 25C K = 25K
D = 25D Z = 25Z
L = 90L
- Aluminum tube length: 10 = 10cm
20 = 20cm
30 = 30cm
40 = 40cm

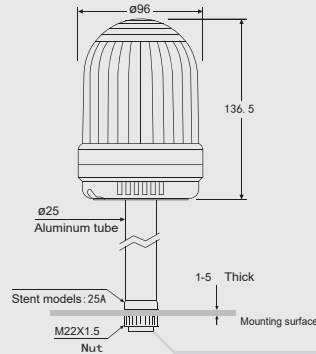
Direct mount



mounting dimensions

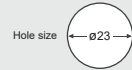


Rod mount



Stent models

25A Model



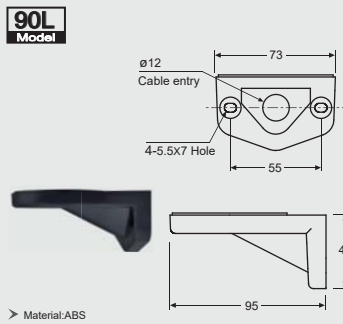
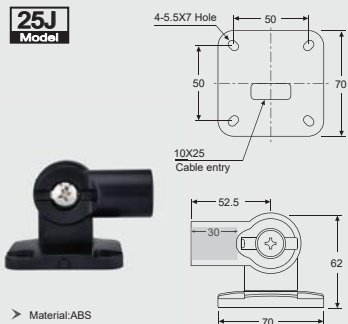
25A Must be used with aluminum tube

Adjustable mounting bracket:

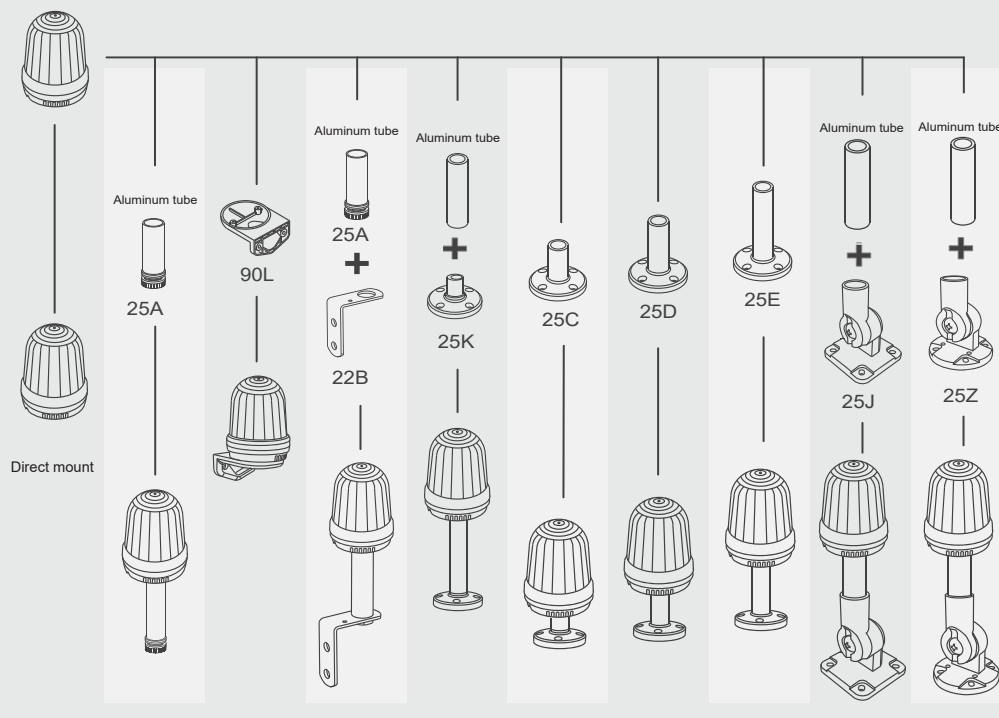
25A | 22B | 25C | 25D | 25E | 25J | 25K | 25Z | 90L

Support model size diagram

Unit: mm

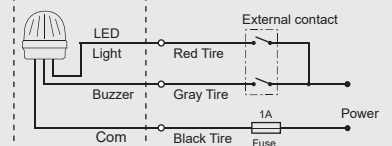


Assembly diagram of product and mounting bracket

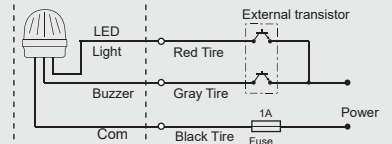


Wiring Diagram

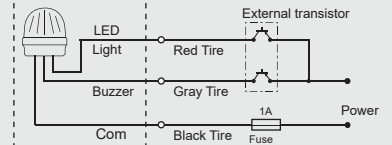
External contact



NPN transistor



NPN transistor



Terminal connection method

