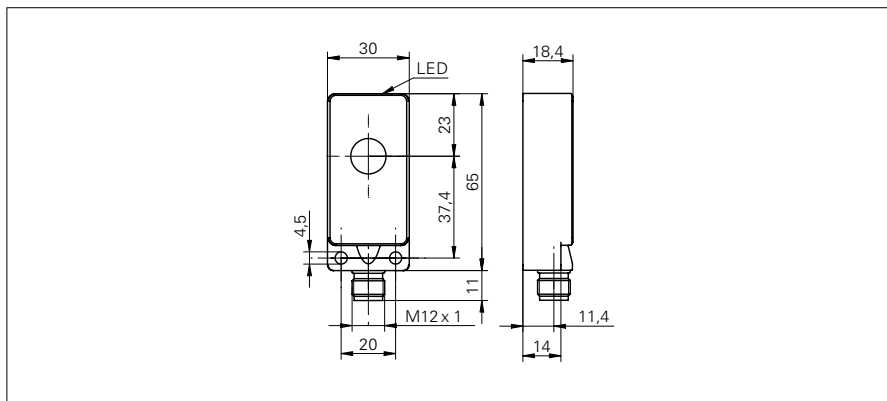


## Ultrasonic through beam sensors

## USDK 30 (Emitter) Ultrasonic sensors

### sample drawing



### general data

emitter / receiver	emitter
scanning range sd	0 ... 700 mm
scanning range far limit Sde	0 ... 700 mm
sonic frequency	220 kHz
alignment aid	target indication flashing
power on indication	LED yellow

### electrical data

voltage supply range +Vs	12 ... 30 VDC
current consumption max. (no load)	22 mA
residual ripple	< 10 % Vs
reverse polarity protection	yes

### mechanical data

type	rectangular
housing material	polyester / die-cast zinc
width / diameter	30 mm
height / length	65 mm
depth	18,5 mm

### ambient conditions

operating temperature	0 ... +60 °C
protection class	IP 67

### order reference

**USDK 30D9003**

**USDK 30D9003/S14**

### connection types

cable, 2 m

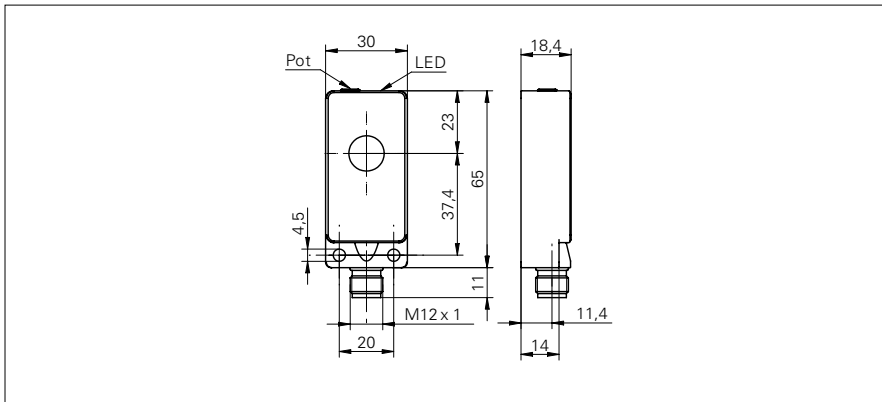
connector M12

### sample picture



## Ultrasonic through beam sensors

### sample drawing



## UEDK 30 (Receiver)

### Ultrasonic sensors

### general data

emitter / receiver	receiver
scanning range sd	0 ... 700 mm
scanning range far limit Sde	0 ... 700 mm
object size (at Sd = 50 mm)	> 2 cm <sup>2</sup>
hysteresis typ.	5 mm
repeat accuracy	< 3 mm
response time ton	< 5 ms
release time toff	< 5 ms
adjustment	potentiometer
alignment aid	target indication flashing
output indicator	LED green

### electrical data

voltage supply range +Vs	12 ... 30 VDC
current consumption max. (no load)	30 mA
output current	< 200 mA
voltage drop Vd	< 2 VDC
residual ripple	< 10 % Vs
short circuit protection	yes
reverse polarity protection	yes

### mechanical data

type	rectangular
housing material	polyester / die-cast zinc
width / diameter	30 mm
height / length	65 mm
depth	18,5 mm

### ambient conditions

operating temperature	0 ... +60 °C
protection class	IP 67

### sample picture





## Ultrasonic through beam sensors

order reference	output circuit	connection types
UEDK 30N5103	NPN complementary	cable, 2 m
UEDK 30N5103/S14	NPN complementary	connector M12
UEDK 30P5103	PNP complementary	cable, 2 m
UEDK 30P5103/S14	PNP complementary	connector M12

## UEDK 30 (Receiver)

Ultrasonic sensors