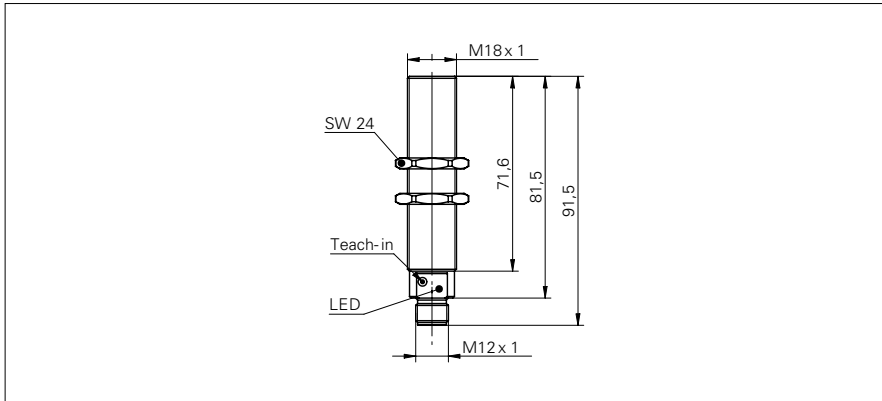


Ultrasonic retro-reflective sensors

Ultrasonic sensors

URAR 18

sample drawing



general data

special type	chemically resistant
scanning range sd	0 ... 400 mm
reflector position Sde	120 ... 400 mm
repeat accuracy	< 1,5 mm
temperature drift	< 2 % Sde
response time ton	< 25 ms
release time toff	< 25 ms
sonic frequency	400 kHz
adjustment	Teach-in
alignment aid	target indication flashing
output indicator	LED green

sample picture



electrical data

voltage supply range +Vs	12 ... 30 VDC
current consumption max. (no load)	35 mA
output current	< 200 mA
voltage drop Vd	< 2 VDC
residual ripple	< 10 % Vs
short circuit protection	yes
reverse polarity protection	yes

mechanical data

type	cylindrical threaded
housing material	stainless steel 1.4435 (V4A)
width / diameter	18 mm
height / length	91,5 mm
connection types	connector M12
coating active face	Parylene
material O-ring	FFKM
front of sensor durable against pressure	6 bar, 20'000 cycle

ambient conditions

operating temperature	0 ... +60 °C
protection class	IP 67



Ultrasonic retro-reflective sensors

Ultrasonic sensors

URAR 18

order reference	output circuit
URAR 18N6912/S14G	NPN make function (NO)
URAR 18N7912/S14G	NPN break function (NC)
URAR 18P6912/S14G	PNP make function (NO)
URAR 18P7912/S14G	PNP break function (NC)