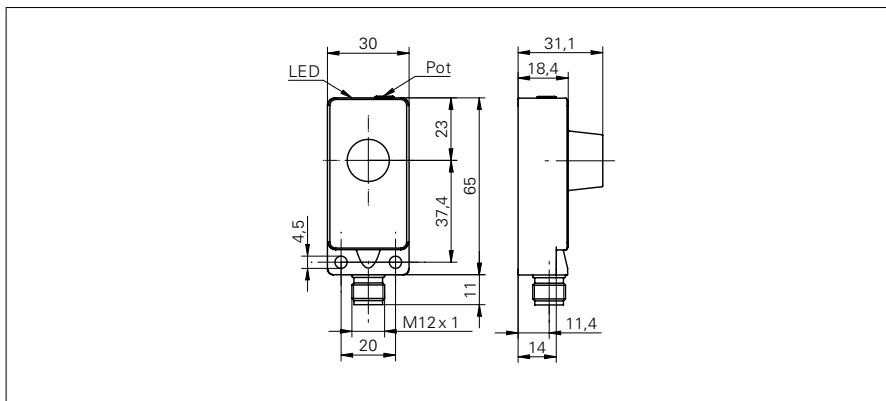


Ultrasonic proximity sensors

UNDK 30 (Sd = 1000 mm)

Ultrasonic sensors

sample drawing



general data

scanning range sd	100 ... 1000 mm
scanning range far limit Sde	100 ... 1000 mm
hysteresis typ.	4 % Sde
repeat accuracy	< 0,5 mm
synchronization	yes
multiplex version	on request
temperature drift	< 0,1 % Sde/K
response time ton (sync on)	< 50 ms
release time toff (sync on)	< 50 ms
sonic frequency	240 kHz
adjustment	potentiometer
alignment aid	target indication flashing
output indicator	LED green

sample picture



electrical data

voltage supply range +Vs	12 ... 30 VDC
current consumption max. (no load)	35 mA
output current	< 200 mA
voltage drop Vd	< 2 VDC
residual ripple	< 10 % Vs
short circuit protection	yes
reverse polarity protection	yes

mechanical data

type	rectangular
housing material	polyester / die-cast zinc
width / diameter	30 mm
height / length	65 mm
depth	31 mm

ambient conditions

operating temperature	-10 ... +60 °C
protection class	IP 67

Ultrasonic proximity sensors

order reference	output circuit	connection types
UNDK 30N1703	NPN make function (NO)	cable, 2 m
UNDK 30N1703/S14	NPN make function (NO)	connector M12
UNDK 30N3703	NPN break function (NC)	cable, 2 m
UNDK 30N3703/S14	NPN break function (NC)	connector M12
UNDK 30P1703	PNP make function (NO)	cable, 2 m
UNDK 30P1703/S14	PNP make function (NO)	connector M12
UNDK 30P3703	PNP break function (NC)	cable, 2 m
UNDK 30P3703/S14	PNP break function (NC)	connector M12

UNDK 30 (Sd = 1000 mm)

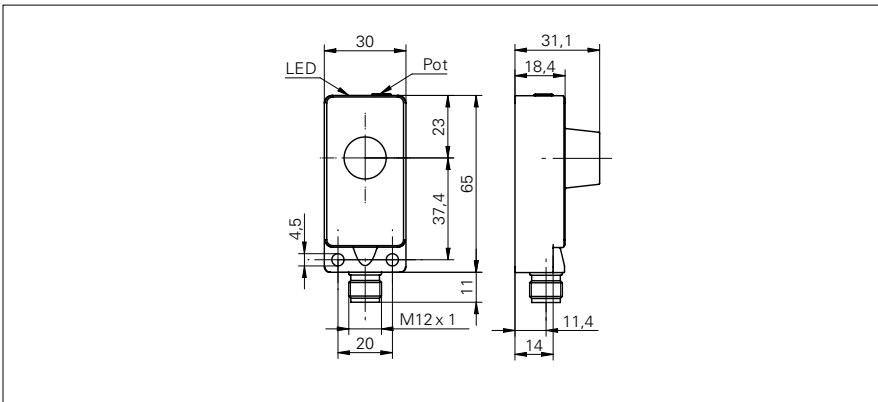
Ultrasonic sensors

Ultrasonic proximity sensors

UNDK 30 (Sd = 250 mm)

Ultrasonic sensors

sample drawing



general data

scanning range sd	30 ... 250 mm
scanning range far limit Sde	30 ... 250 mm
hysteresis typ.	4 % Sde
repeat accuracy	< 0,5 mm
synchronization	yes
multiplex version	on request
temperature drift	< 0,18 % Sde/K
response time ton (sync on)	< 10 ms
release time toff (sync on)	< 10 ms
sonic frequency	300 kHz
adjustment	potentiometer
alignment aid	target indication flashing
output indicator	LED green

sample picture



electrical data

voltage supply range +Vs	12 ... 30 VDC
current consumption max. (no load)	35 mA
output current	< 200 mA
voltage drop Vd	< 2 VDC
residual ripple	< 10 % Vs
short circuit protection	yes
reverse polarity protection	yes

mechanical data

type	rectangular
housing material	polyester / die-cast zinc
width / diameter	30 mm
height / length	65 mm
depth	31 mm

ambient conditions

operating temperature	-25 ... +60 °C
protection class	IP 67

Ultrasonic proximity sensors

UNDK 30 (Sd = 250 mm)

Ultrasonic sensors

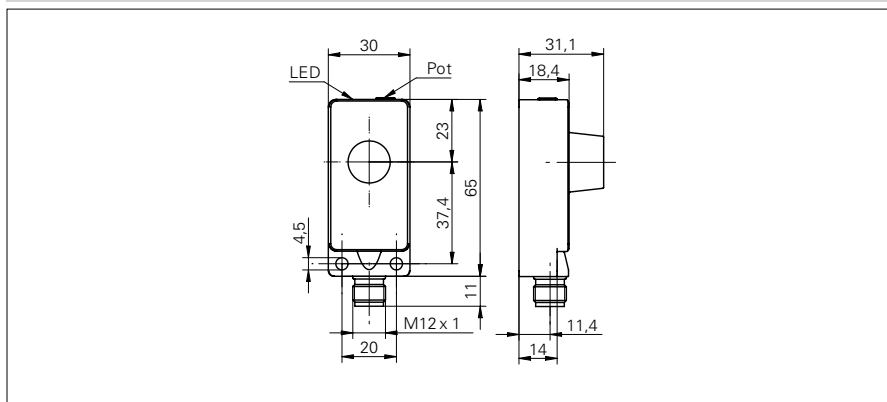
order reference	output circuit	connection types
UNDK 30N1713	NPN make function (NO)	cable, 2 m
UNDK 30N1713/S14	NPN make function (NO)	connector M12
UNDK 30N3713	NPN break function (NC)	cable, 2 m
UNDK 30N3713/S14	NPN break function (NC)	connector M12
UNDK 30P1713	PNP make function (NO)	cable, 2 m
UNDK 30P1713/S14	PNP make function (NO)	connector M12
UNDK 30P3713	PNP break function (NC)	cable, 2 m
UNDK 30P3713/S14	PNP break function (NC)	connector M12

Ultrasonic proximity sensors

UNDK 30 (Sd = 400 mm)

Ultrasonic sensors

sample drawing



general data

scanning range sd	60 ... 400 mm
scanning range far limit Sde	60 ... 400 mm
hysteresis typ.	4 % Sde
repeat accuracy	< 0,5 mm
synchronization	yes
multiplex version	on request
temperature drift	< 0,18 % Sde/K
response time ton (sync on)	< 25 ms
release time toff (sync on)	< 25 ms
sonic frequency	400 kHz
adjustment	potentiometer
alignment aid	target indication flashing
output indicator	LED green

sample picture



electrical data

voltage supply range +Vs	12 ... 30 VDC
current consumption max. (no load)	35 mA
output current	< 200 mA
voltage drop Vd	< 2 VDC
residual ripple	< 10 % Vs
short circuit protection	yes
reverse polarity protection	yes

mechanical data

type	rectangular
housing material	polyester / die-cast zinc
width / diameter	30 mm
height / length	65 mm
depth	31 mm

ambient conditions

operating temperature	-25 ... +60 °C
protection class	IP 67

Ultrasonic proximity sensors

UNDK 30 (Sd = 400 mm)

Ultrasonic sensors

order reference	output circuit	connection types
UNDK 30N1712	NPN make function (NO)	cable, 2 m
UNDK 30N1712/S14	NPN make function (NO)	connector M12
UNDK 30N3712	NPN break function (NC)	cable, 2 m
UNDK 30N3712/S14	NPN break function (NC)	connector M12
UNDK 30P1712	PNP make function (NO)	cable, 2 m
UNDK 30P1712/S14	PNP make function (NO)	connector M12
UNDK 30P3712	PNP break function (NC)	cable, 2 m
UNDK 30P3712/S14	PNP break function (NC)	connector M12