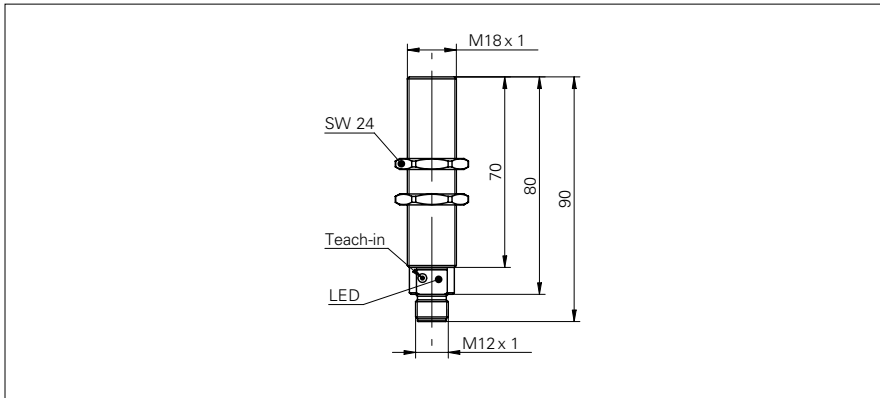


Ultrasonic distance measuring sensors

Ultrasonic sensors UNAM 18

sample drawing



general data

scanning range sd	100 ... 1000 mm
scanning range close limit Sdc	100 ... 1000 mm
scanning range far limit Sde	100 ... 1000 mm
repeat accuracy	< 0,5 mm
resolution	< 0,3 mm
response time ton	< 80 ms
release time toff	< 80 ms
temperature drift	< 2 % of distance to target So
sonic frequency	240 kHz
adjustment	Teach-in
alignment aid	target indication flashing
light indicator	yellow LED / red LED

electrical data

voltage supply range +Vs	15 ... 30 VDC
output current	< 20 mA
residual ripple	< 10 % Vs
short circuit protection	yes
reverse polarity protection	yes

voltage output

current consumption max. (no load)	35 mA
output signal	0 ... 10 V / 10 ... 0 V

current output

current consumption max. (no load)	55 mA
output signal	4 ... 20 mA / 20 ... 4 mA
load resistance +Vs max.	< 1100 Ohm
load resistance +Vs min.	< 400 Ohm

mechanical data

type	cylindrical threaded
housing material	brass nickel plated
width / diameter	18 mm
height / length	90 mm
connection types	connector M12

sample picture



Ultrasonic distance measuring sensors

Ultrasonic sensors UNAM 18

ambient conditions

operating temperature	-10 ... +60 °C
protection class	IP 67

order reference

UNAM 18I6903/S14
UNAM 18U6903/S14

output circuit

current output
voltage output