

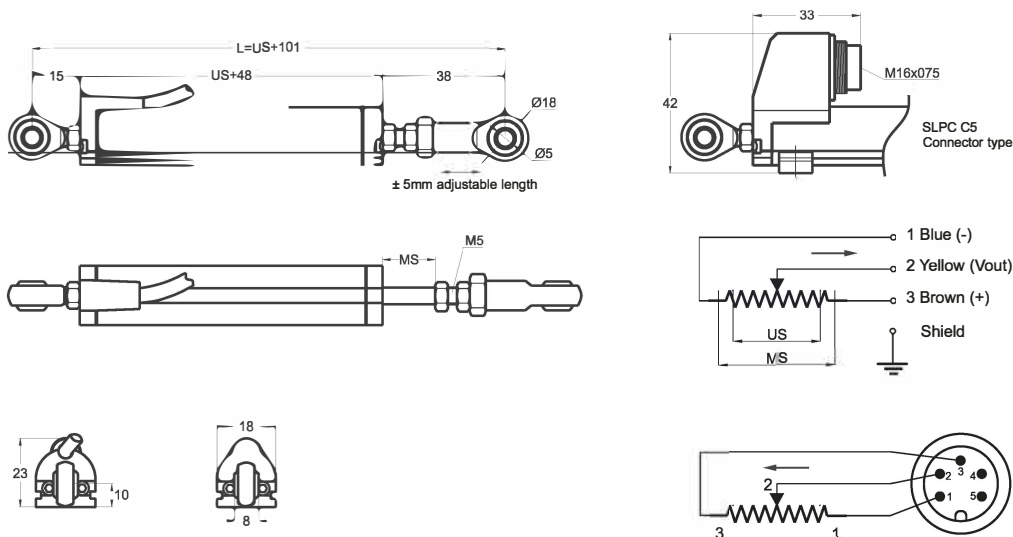
Linear Potentiometer Slim Body Series

- Measuring range 10 - 400 mm
- Long mechanical life
- Excellent repeatability <0.01 mm
- Infinite resolution
- 2 kOhm : 10 ... 50 mm
- 5 kOhm : 75 ... 400 mm



Technical specifications

Measurement stroke	10 to 400 mm
Linearity	± 0,05 (>200 mm), ±0,1 (130 - 200 mm), ±0,2 (75 - 130 mm), ±0,5 (<75 mm)
Repeatability	< 0,01 mm
Resolution	Infinite
Resistance	2 kOhm : 10 ... 50 mm 5 kOhm : 75 ... 400 mm
Resistance tolerance	± %20
Load resistance	100 kOhm min.
Recommended cursor current	<1 µA
Permissible applied voltage	28 VDC max.
Electrical connections	Connector or 1 m cable output
Displacement speed	< 5 m/s
Mechanical life	100 million movement
Case dimensions	Ø18 mm
Case material	Anodized aluminium
Rod material	Stainless steel
Rod diameter	Ø5 mm
Mechanical fixing	Ball joints on the both sides
IP degree	IP 65
Operating temperature	-20°C ... +80°C
Storage temperature	-30°C ... +90°C



SLPC(mm)	10	25	50	75	100	125	150	175	200	250	300	350	400
US (Usefull Stroke)	10	25	50	75	100	125	150	175	200	250	300	350	400
MS (Mechanical Stroke)	13	28	53	78	103	128	153	178	203	253	303	353	403
L (Total Length)	111	126	151	176	201	226	251	276	301	351	401	451	501

Model	Measurement stroke (mm)	Linearity (%)	Resistance (KOhm)	Connector / Cable
(example) SLPC	175	D	5K	1M
SLPC	10 ... 400 mm	D: ±0,05 (>200 mm) ±0,1 (130 - 200 mm) ±0,2 (75 - 130 mm) ±0,5 (<75 mm)	2K: 2 kOhm (10 - 25 mm) 5K: 5 kOhm 10K: 10 kOhm	1M : 1 meter cable (standard) 1M5: 1,5 meter cable 2M : 2 meter cable C5 : Connector