

S80 series

Ø80mm LED Revolving Warning Light



S80ADR



S80ALR



S80A series can be wall mounted easily without an additional mounting bracket.

Replacement for old version

S80ADR substitutes for S80ALR and S80ALR substitutes for S80AULR so they have the same dimension, function and feature.

S80ADR/ S80ALR LED Revolving Warning Lights

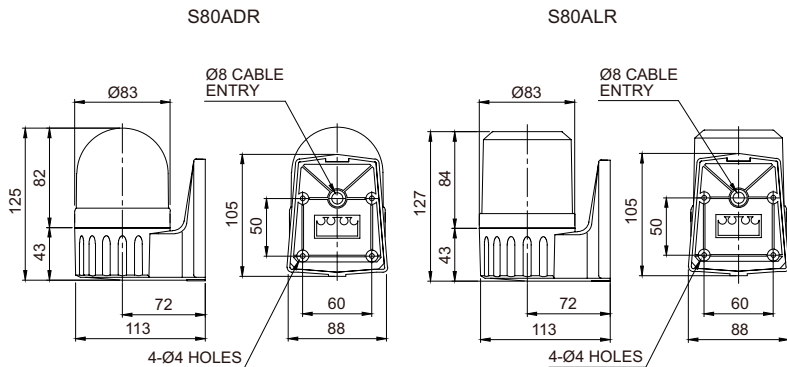
- Equipped wall mount allows for easy assembly. Additional mounting brackets not required
- Terminal block designed inside the side mount bracket enables easy wiring
- Built-in buzzer available (Volume : Max 90dB at 1m)
- Revolving speed : 120-140RPM
- Materials : Lens-AS, Housing-ABS, Reflector-Heat resistant ABS
- Ambient operating temperature : -20°C to +50°C
- Protection rating : IP44
- Compliant with RoHS directive

Specifications

Model number	Voltage	Current	Certificates	Weight	Color
S80ADR	DC12V	0.183A	-	0.34kg	<ul style="list-style-type: none"> ● R-Red ● A-Amber ● G-Green ● B-Blue
	DC24V	0.127A		0.34kg	
S80ALR	AC110V	0.035A		0.49kg	
	AC220V	0.017A		0.49kg	

Technical Diagram

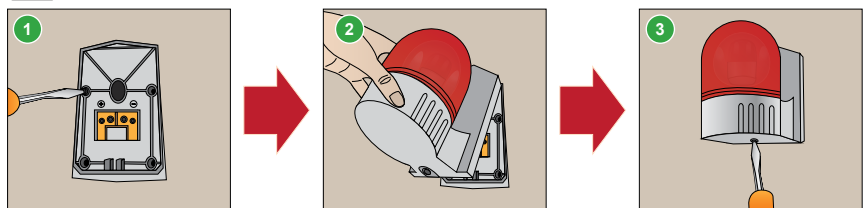
(Units : mm)



Wiring Instructions

- Attach the power supply wire to the terminal block
- DC Type : Black output line is negative(-)

Mounting Instructions



- 1 Secure the base plate to the mounting surface, and the power line to the terminal block
- 2 Mount the warning light by inserting the ring(hook) into the upper part of the base plate
- 3 Screw in the bolt at the base of the mounting bracket to complete assembly

Ordering Specification

S80ALR	-	BZ	-	110	-	R
[Model number]		[Buzzer option]		[Voltage]		[Color]
<ul style="list-style-type: none"> • S80ADR • S80ALR 		<ul style="list-style-type: none"> • None • No buzzer • BZ • Built-in buzzer 		<ul style="list-style-type: none"> • 12-DC12V • 24-DC24V • 110-AC110V • 220-AC220V 		<ul style="list-style-type: none"> ● R-Red ● A-Amber ● G-Green ● B-Blue

ООО "РусАвтоматизация"

454010 г. Челябинск, ул. Гагарина 5, оф. 507

тел. 8-800-775-09-57 (звонок бесплатный), +7(351)799-54-26, тел./факс +7(351)211-64-57

info@rusautomation.ru; rusautomation.ru; www.rusautomation.ru