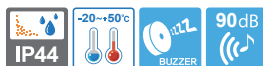


S180 series

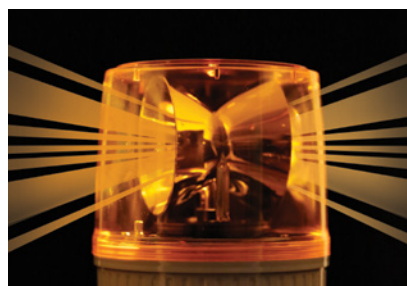
Ø180mm Bulb Revolving Warning Lights



S180U



S180U has a spare bulb inside the product for easy replacement if required.



S180 type has strong flashing light characteristics with dual reflector.

S180U Bulb Revolving Warning Light

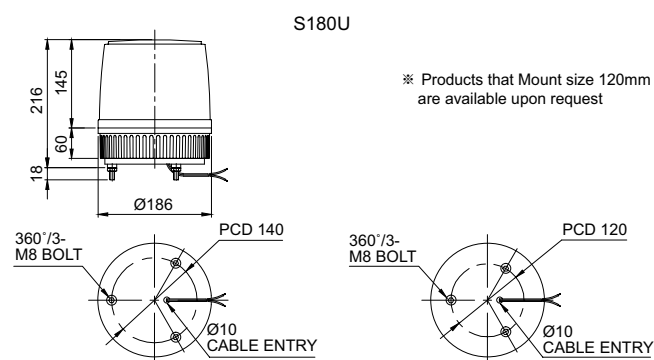
- Excellent long distance signal transmission effect with 35W capacity bulb and dual reflectors
- A spare bulb is provided inside the product for quick replacement if provided
- Built-in buzzer available (Volume : Max 90dB at 1m)
- Materials : Lens-AS, Housing-ABS, Reflector-PC
- Ambient operating temperature : -20°C to +50°C
- Protection rating : IP44

Specifications

| Model number | Voltage | Current | Bulb | | | Certificates | Weight | Color |
|--------------|---------|---------|--------|----------|----------|--------------|--------|---|
| | | | Spec | Standard | Parts no | | | |
| S180U | DC12V | 3.077A | 12V35W | RP35 15S | 29 | - | 0.89kg | <ul style="list-style-type: none"> ● R-Red ● A-Amber ● G-Green ● B-Blue |
| | DC24V | 1.544A | 24V35W | RP35 15S | 30 | | 0.89kg | |
| | AC110V | 0.388A | 12V35W | RP35 15S | 29 | | 1.65kg | |
| | AC220V | 0.194A | 12V35W | RP35 15S | 29 | | 1.65kg | |

Technical Diagram

(Units : mm)



Wiring Instructions

- External power line standard : UL1015 AWG18(0.75sq)×2C 400mm
- DC type : Black output line is negative(-)

Customization

- 2 buzzer sound types : Both prolonged(beep, beep) and staccato(beep, beep, beep) buzzer output available
- The product mount hole size 120mm(PCD 120mm)

Ordering Specification

| S180U | - | BZ | - | 220 | - | R |
|----------------|---|--|---|--|---|---|
| [Model number] | | [Buzzer option] | | [Voltage] | | [Color] |
| • S180U | | <ul style="list-style-type: none"> • None • No buzzer • BZ • Built-in buzzer | | <ul style="list-style-type: none"> • 12-DC12V • 24-DC24V • 110-AC110V • 220-AC220V | | <ul style="list-style-type: none"> ● R-Red ● A-Amber ● G-Green ● B-Blue |