

# S125 series

## Ø125mm LED Steady/ Flashing Signal Lights



S125L



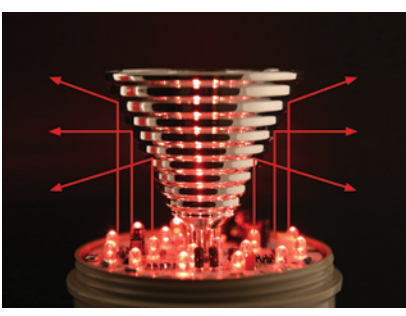
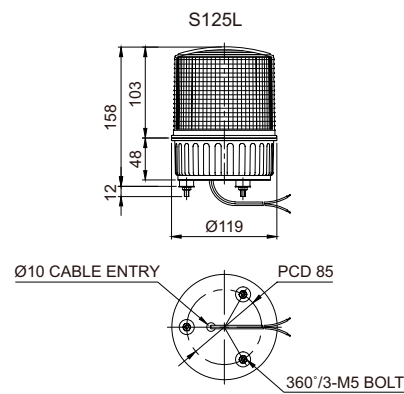
### S125L LED Steady/ Flashing Signal Light

- Ø125mm LED steady/ flashing signal light
- Shock and vibration-resistant and easy maintenance with long-lasting LED light source
- Built-in switch for selection between steady and flashing mode
- Built-in buzzer type available (Volume : Max 90dB at 1m)
- Flashing rate : 60-80 flashes/min
- Material : Lens - AS, Housing - ABS, Reflector - Heat resistant ABS
- Ambient operating temperature : -30°C to +50°C
- Protection rating : IP44
- Certificates : KIMM, CE Compliant
- Compliant with RoHS directive

### Specifications

Model number	Voltage	Current	Certificates	Weight	Color
S125L	DC12V	0.300A		0.33kg	<ul style="list-style-type: none"> <li>• R-Red</li> <li>• A-Amber</li> <li>• G-Green</li> <li>• B-Blue</li> </ul>
	DC24V	0.200A		0.33kg	
	AC110V	0.060A		0.51kg	
	AC220V	0.030A		DC only	

### Technical Diagram (Units : mm)



**Feature of indirect light diffusing system**  
 Qlight's Indirect light diffusing system emits an intense and constant level of signal light via a multi-tiered reflector throughout the lens.

### Wiring Instructions

- External power line standard : UL1015 AWG18(0.75sq)×2C 400mm
- Product can be wired regardless of polarity

### Customization

- 2 buzzer sound types : Both prolonged (beep, beep) and staccato (beep, beep, beep) buzzer output available
- Wall mount bracket options : Bracket structure allows for threading through the bracket hole or into the wall mount



### Ordering Specification

S125L	BZ	220	R
[Model number]	[Buzzer option]	[Voltage]	[Color]
• S125L	<ul style="list-style-type: none"> <li>• None</li> <li>• No buzzer</li> <li>• BZ</li> <li>• Built-in buzzer</li> </ul>	<ul style="list-style-type: none"> <li>• 12-DC12V</li> <li>• 24-DC24V</li> <li>• 110-AC110V</li> <li>• 220-AC220V</li> </ul>	<ul style="list-style-type: none"> <li>• R-Red</li> <li>• A-Amber</li> <li>• G-Green</li> <li>• B-Blue</li> </ul>

## ООО "РусАвтоматизация"