

LZT Series

Acrylic Tube Rotameter

Overview

Acrylic Tube Rotameter (Panel Type &Piping Type) is one of the variable-area flow meters. The measuring tube is made of high-quality and transparent lucite(acrylic). This rotameter is mainly applied to clean water treatment and environmental protection projects. It is also widely used in chemical industry, petroleum, light industry, medicine, fertilizer, food, papermaking, scientific research and other fields to measure the single-phase and non- pulsing flow of liquid and gas.

Acrylic Tube Rotameter (Panel Type &Piping Type) has the features of high transparency, easy to read, not easy to break, light weight, long-life, easy installation and connection, etc.



Technical Parameters

Normal flowrate range (water)	GPM	0.1~1	0.2~2	1~5	1~10	2~16	2~20	4~40	6~60	10~100	50~150
	LPM	0.5~4	1~7	2~18	5~35	4~60	10~70	15~150	25~250	50~350	190~550
Accuracy	± 4%FS ± 6%FS										
Repeatability	± 0.25%FS										
Maximum pressure	1MPa/150psig(Higher pressure resistance needs to be customized)										
Maximum temperature	80°C/176° F										
Body material	PMMA(Acrylic)										
Float material	316(Stainless steel) Agate ball (micro flow)										
Guide rod material	316(Stainless steel)										
Fastening screw material	H62(Copper)										
Tube connection material	PVC,ABS (Nonpoisonous), (Can be made of stainless steel or copper chromium)										
Upper and lower adapter bearing	F46										
O ring	Silicon rubber & Viton										

Notes:

Panel (Piping) type rotameter can be customized with different medium, flow range, connection size and material. We can offer OEM and ODM services.

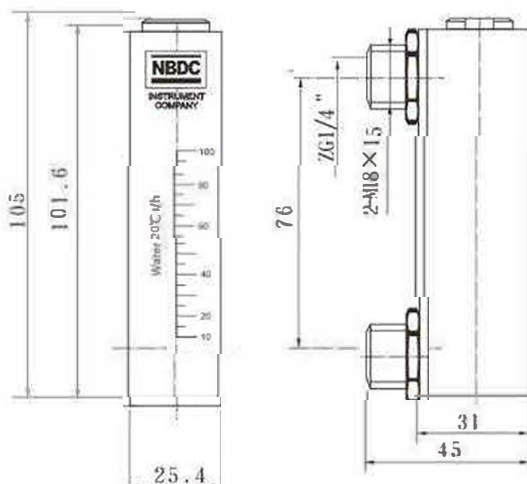
LZT-8 Series Panel Type

Item Code	Measuring range	Medium	Remarks
LZT-0802M	2~20l/h	Water	Without valve Special Acrylic
LZT-0804M	4~40l/h		
LZT-0806M	6~60l/h		
LZT-0810M	10~100l/h		
LZT-0802M-V	2~20l/h		With valve Special Acrylic
LZT-0804M-V	4~40l/h		
LZT-0806M-V	6~60l/h		
LZT-0810M-V	10~100l/h		
LZT-08A001M-V	50~500ml/min	Air	With valve Special Acrylic
LZT-08A002M-V	0.1~1LPM		
LZT-08A004M-V	0.3~3LPM		
LZT-08A01M-V	1~10SCFH/0.5~5LPM		
LZT-08A02M-V	2~20SCFH/1~10LPM		
LZT-08A04M-V	4~40SCFH/2~20LPM		
LZT-08A08M-V	8~80SCFH/4~40LPM		
LZT-08A10M-V	10~100SCFH/5~50LPM		
LZT-08A20M-V	20~200SCFH/10~100LPM		

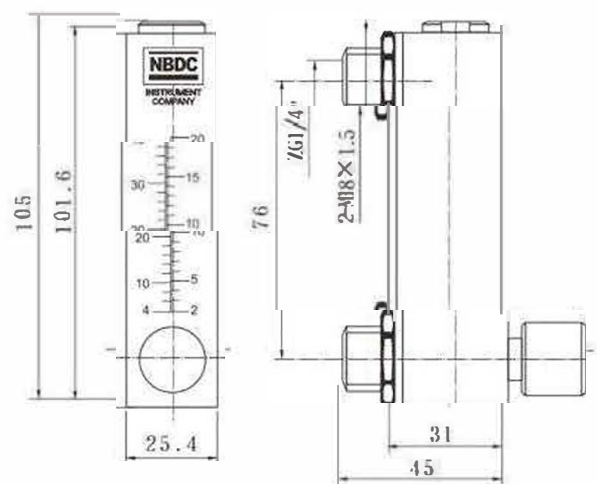


LZT-08 04 M-V LZT-08A 04 M-V

Dimension Diagrams(mm)



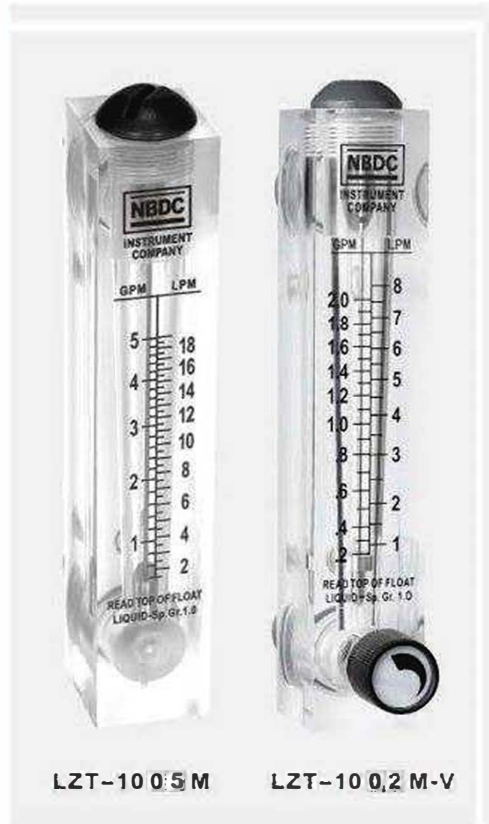
LZT-08□□M



LZT-08A□□M-V
LZT-08□□M-V

LZT-10 Series Panel Type

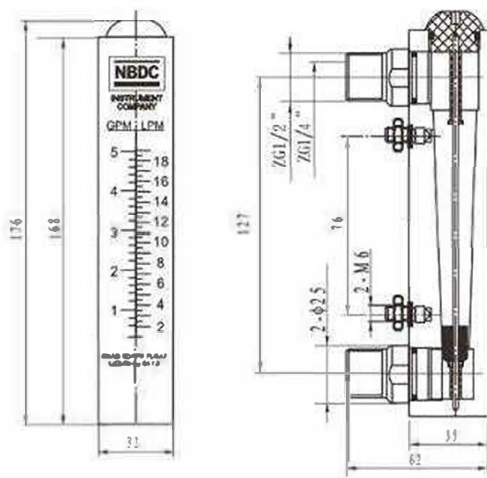
Item Code	Measuring range	Medium	Remarks
LZT-10005M	0.05~0.5GPM/0.2~2LPM	Water	Without valve
LZT-1001M	0.1~1GPM/0.5~4LPM		
LZT-1002M	0.2~2GPM/1~7LPM		
LZT-1003M	0.3~3GPM/1~11LPM		
LZT-1005M	0.5~5GPM/2~18LPM		
LZT-10005M-V	0.05~0.5GPM/0.2~2LPM		With valve
LZT-1001M-V	0.1~1GPM/0.5~4LPM		
LZT-1002M-V	0.2~2GPM/1~8LPM		
LZT-1003M-V	0.3~3GPM/1~11LPM		
LZT-1005M-V	1.0~5GPM/2~18LPM		
LZT-1010M/T-V	10~100L/h	Air	With valve
LZT-1016M/T-V	16~160L/h		
LZT-10A04M-V	0.4~4SCFM/12~120LPM		
LZT-10A08M-V	1~8SCFM/24~240LPM		
LZT-10A12M-V	1.2~12SCFM/36~360LPM		
LZT-10A16M-V	1.6~16SCFM/48~480LPM		
LZT-10A24M-V	2.4~24SCFM/72~720LPM		
LZT-10T03M-V	0.3~3m ³ /h		
LZT-10T04M-V	0.4~4m ³ /h		
LZT-10T06M-V	0.6~6m ³ /h		
LZT-10T10M-V	1~10m ³ /h		
LZT-10T16M-V	1.6~16m ³ /h		
LZT-10T25M-V	2.5~25m ³ /h		



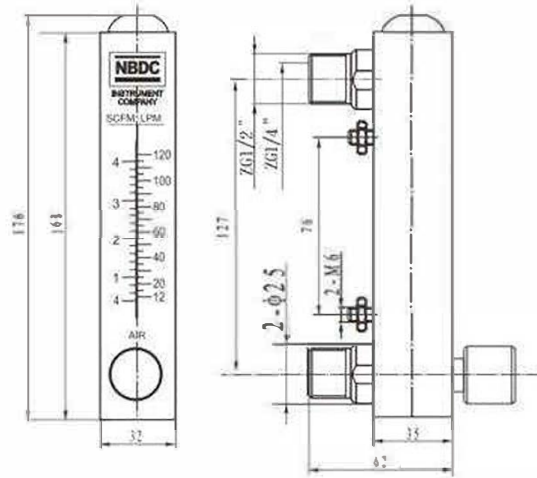
LZT-10005M

LZT-10002M-V

Dimension Diagrams(mm)



LZT-10□□M



LZT-10□□M-V

LZT-10A□□M-V

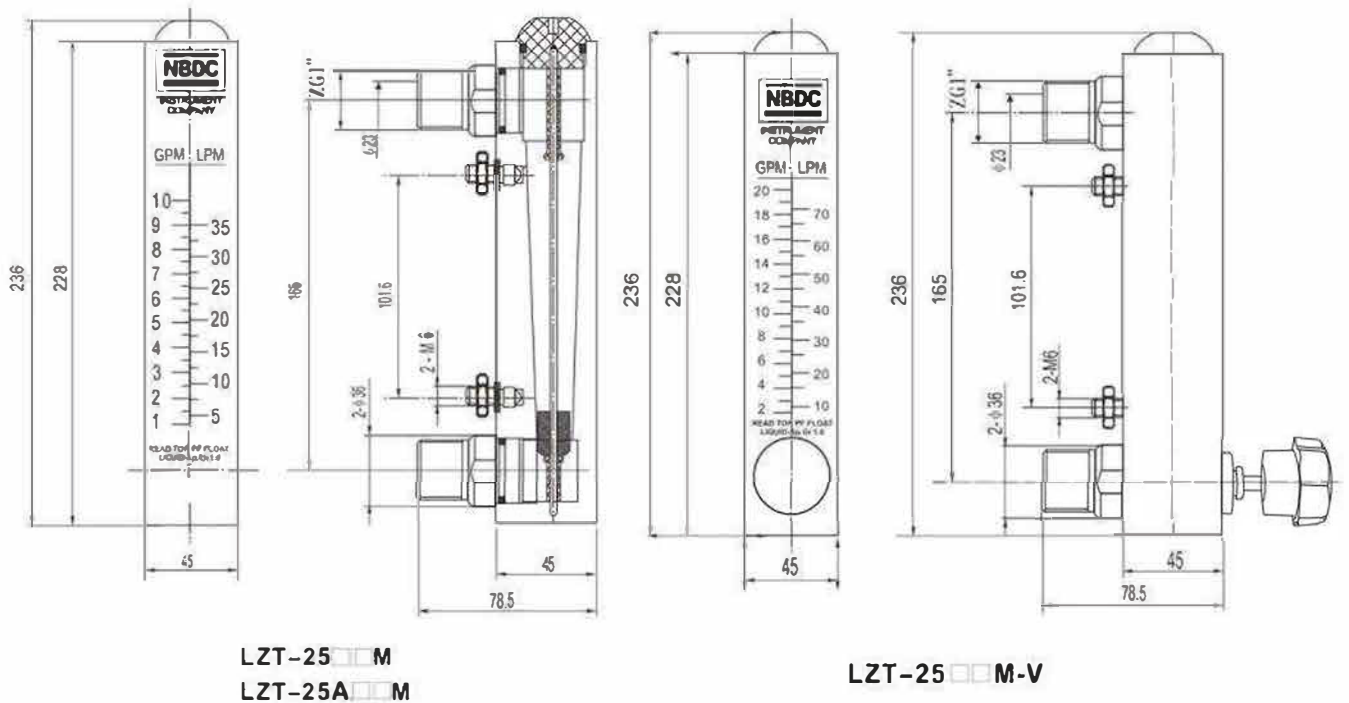
LZT-10T□□M-V

LZT-25 Series Panel Type

Item Code	Measuring range	Medium	Remarks
LZT-2510M	1~10GPM/5~35LPM	Water	Without valve
LZT-2516M	2~16GPM/10~60LPM		
LZT-2520M	2~20GPM/10~70LPM		
LZT-2525M	2.5~25GPM/10~100LPM		
LZT-2530M	3~30GPM/12~120LPM		
LZT-2535M	5~35GPM/20~130LPM		
LZT-2540M	4~40GPM/15~150LPM		
LZT-2510M-V	2~10GPM/5~35LPM	With valve	
LZT-2516M-V	4~16GPM/12~60LPM		
LZT-2520M-V	4~20GPM/10~70LPM		
LZT-2540M-V	10~40GPM/30~150LPM		
LZT-25A40M	4~40SCFM/7~70m ³ /h	Air	Without valve
LZT-25A60M	6~60SCFM/10~100m ³ /h		



Dimension Diagrams(mm)



LZT-40 Series Panel Type

Item Code	Measuring range	Medium	Remarks	Connection type
LZT-4060M	10~60GPM/25~250LPM	Water	Without valve	1½" NPT (PP Material)
LZT-4080M	10~80GPM/3~300LPM			

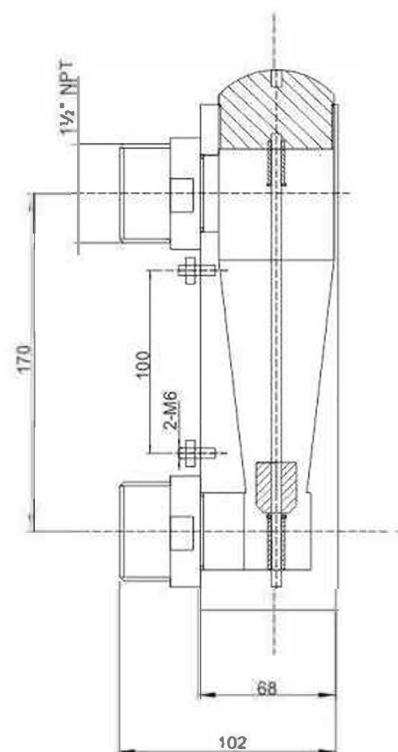
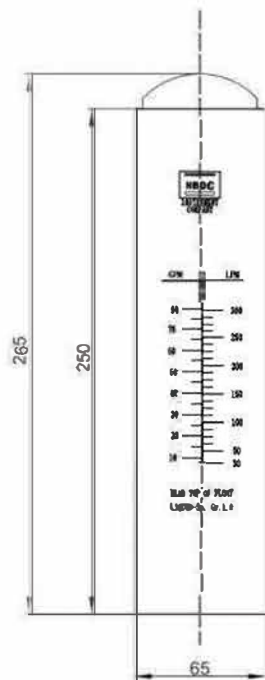


LZT-4060M



LZT-4080M

Dimension Diagrams(mm)



LZT-40□□M

LZT-10 Series Piping Type

Item Code	Measuring range	Medium	Remarks
LZT-10005G	0.05~0.5GPM/0.2~2LPM	Water	Circular
LZT-1001G	0.1~1GPM/0.4~4LPM		
LZT-1002G	0.2~2GPM/1~7LPM		
LZT-1003G	0.3~3GPM/1~11LPM		
LZT-1005G	0.5~5GPM/2~18LPM		

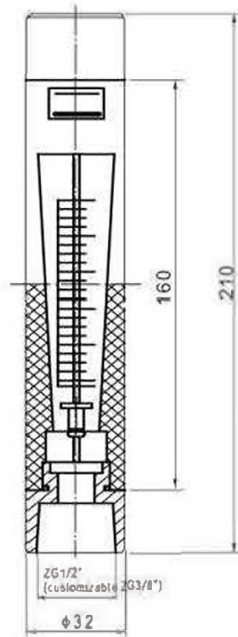
Notes:

LZT-10 Series Piping Type Rotameter's connection type can also choose clamp. Add -K after normal item code when order.

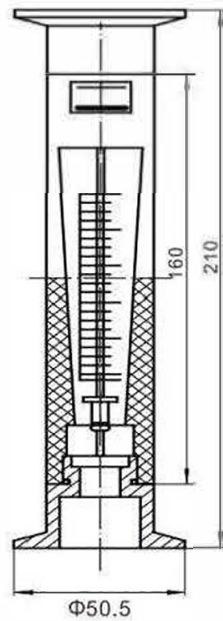
Optional clamp size	Φ50.5
---------------------	-------



Dimension Diagrams(mm)



LZT-10 01 G



LZT-10 05 G-K

LZT-15 Series Piping Type

Item Code	Measuring range	Medium	Remarks
LZT-1510G	10~100L/h	Water	Circular
LZT-1516G	16~160L/h		
LZT-1525G	25~250L/h		
LZT-15A03G	0.3~3m ³ /h	Air	
LZT-15A04G	0.4~4m ³ /h		
LZT-15A06G	0.6~6m ³ /h		
LZT-15A08G	0.8~8m ³ /h		
LZT-15A16G	1.6~16m ³ /h		
LZT-15A25G	2.5~25m ³ /h		
LZT-15A40G	4~40m ³ /h		

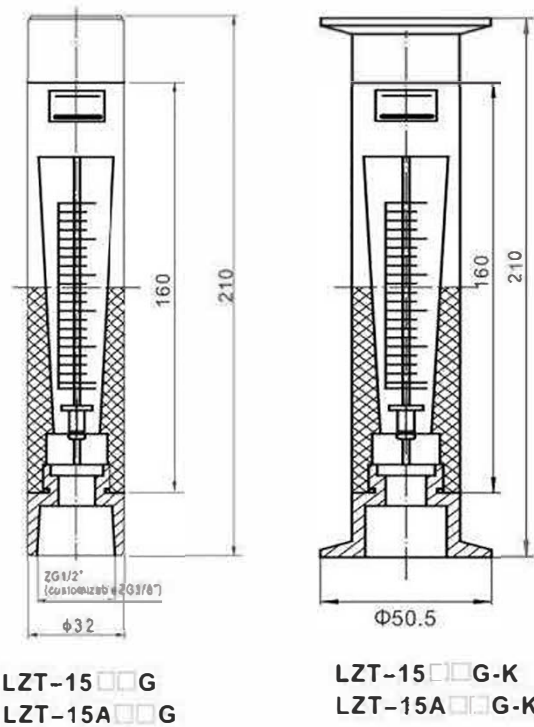
Notes:

LZT-15 Series Piping Type Rotameter's connection type can also choose clamp. Add -K after normal item code when order.

Optional clamp size	Φ50.5
---------------------	-------



Dimension Diagrams(mm)



LZT-15□□G
LZT-15A□□G

LZT-15□□G-K
LZT-15A□□G-K

LZT-25 Series Piping Type

Item Code	Measuring range	Medium	Remarks
LZT-2510G	1~10GPM/5~35LPM	Water	Circular
LZT-2516G	2~16GPM/10~60LPM		
LZT-2520G	2~20GPM/10~70LPM		
LZT-2530G	3~30GPM/12~120LPM		
LZT-2535G	5~35GPM/30~130LPM		
LZT-2540G	4~40GPM/15~150LPM		
LZT-2510G-S	1~10GPM/5~35LPM		Square
LZT-2516G-S	2~16GPM/10~60LPM		
LZT-2520G-S	2~20GPM/10~70LPM		

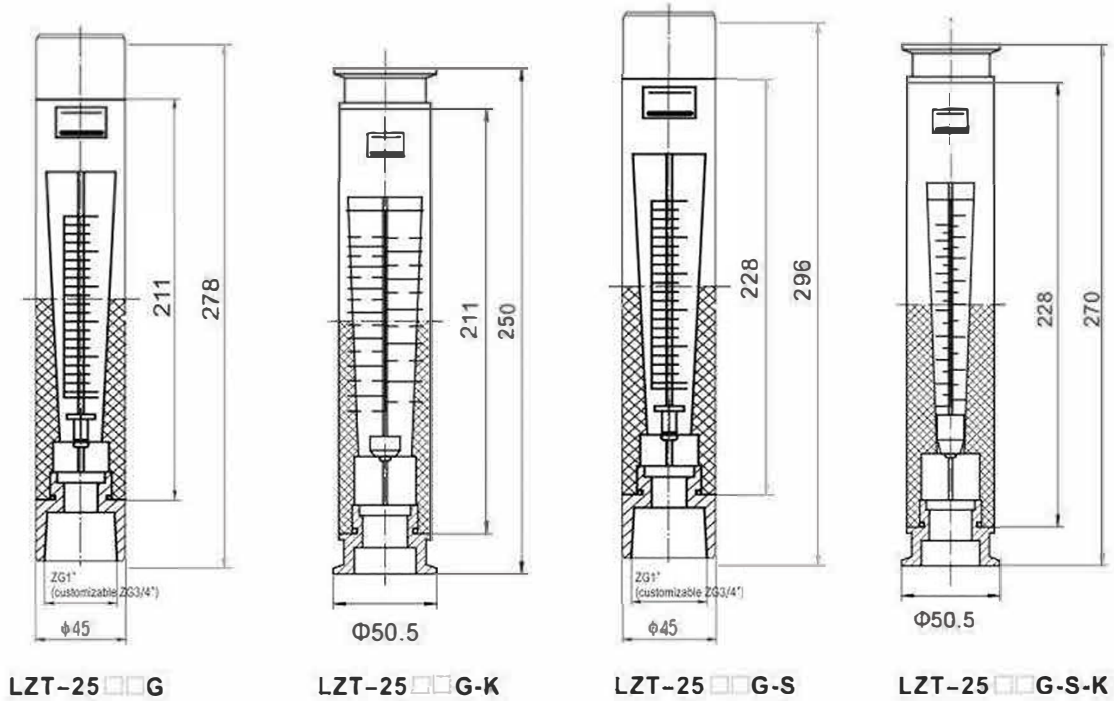
Notes:

LZT-25 Series Piping Type Rotameter's connection type can also choose clamp. Add -K after normal item code when order.

Optional clamp size	Φ50.5
---------------------	-------



Dimension Diagrams(mm)



LZT-40 Series Piping Type

Item Code	Measuring range	Medium	Remarks
LZT-4004G	4~40GPM/15~150LPM	Water	Circular
LZT-4006G	6~60GPM/20~240LPM		
LZT-4008G	8~80GPM/30~300LPM		
LZT-4010G	10~100GPM/50~350LPM		
LZT-4004G-S	4~40GPM/15~150LPM		Square
LZT-4006G-S	6~60GPM/20~240LPM		
LZT-4008G-S	8~80GPM/30~300LPM		
LZT-4010G-S	10~100GPM/50~350LPM		

Notes:

LZT-40 Series Piping Type Rotameter's connection type can also choose clamp. Add -K after normal item code when order.



LZT-40 08 G



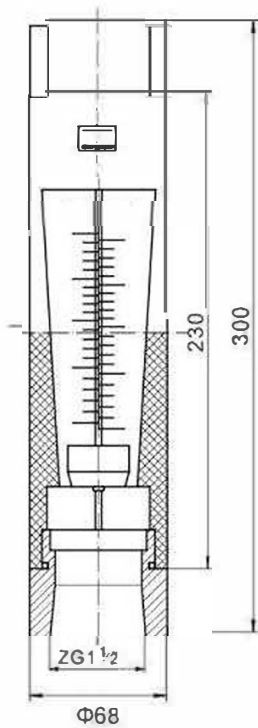
LZT-40 06 G-S



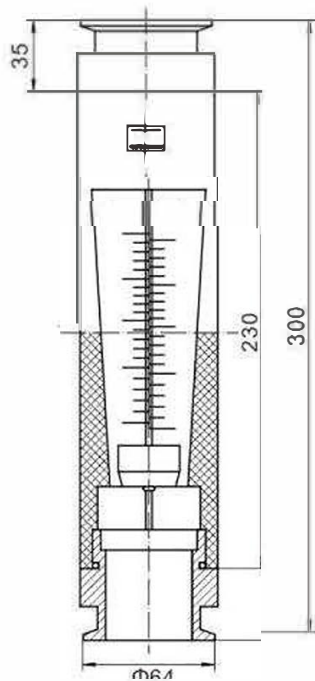
LZT-40 04 G-K

Optional clamp size	Conventional $\Phi 64$ (customizable $\Phi 50.5$, $\Phi 77$)
---------------------	--

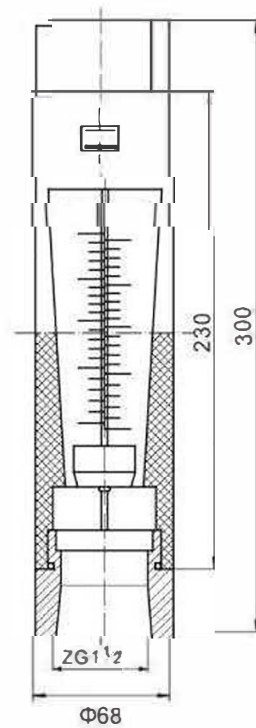
Dimension Diagrams(mm)



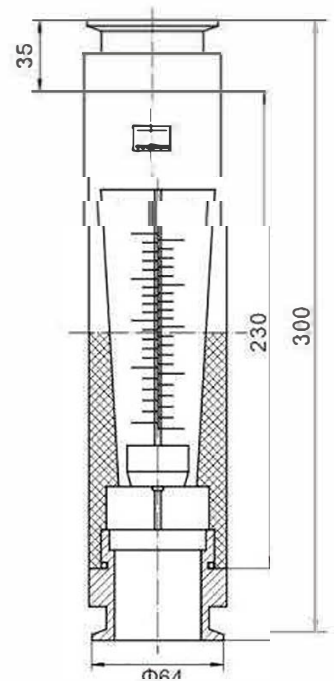
LZT-40 04 G



LZT-40 06 G-K



LZT-40 08 G-S



LZT-40 04 G-S-K

LZT-50 Series Piping Type

Item Code	Measuring range	Medium	Remarks
LZT-5015G	30~150GPM/100~600LPM	Water	Circular
LZT-5020G	40~200GPM/150~750LPM		

Notes:

LZT-50 Series Piping Type Rotameter's connection type can also choose clamp. Add -K after normal item code when order.

Optional clamp size	Conventional $\Phi 77$ (customizable $\Phi 64$)
---------------------	--



LZT-5015G

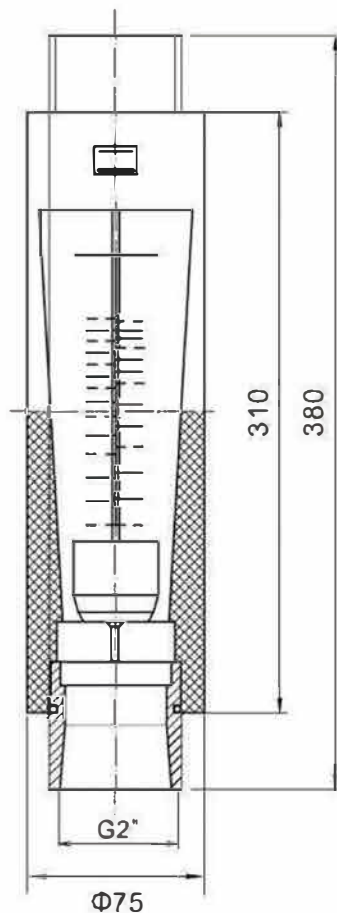


LZT-5020G

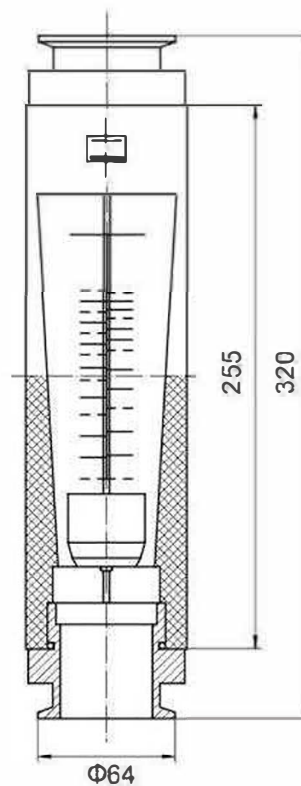


LZT-5020G-K

Dimension Diagrams(mm)



LZT-50□□G



LZT-50□□G-K

ООО "РусАвтоматизация"

454010 г. Челябинск, ул. Гагарина 5, оф. 507
 тел. 8-800-775-09-57 (звонок бесплатный), +7(351)799-54-26, тел./факс +7(351)211-64-57
info@rusautomation.ru; rusавтоматизация.рф; www.rusautomation.ru