

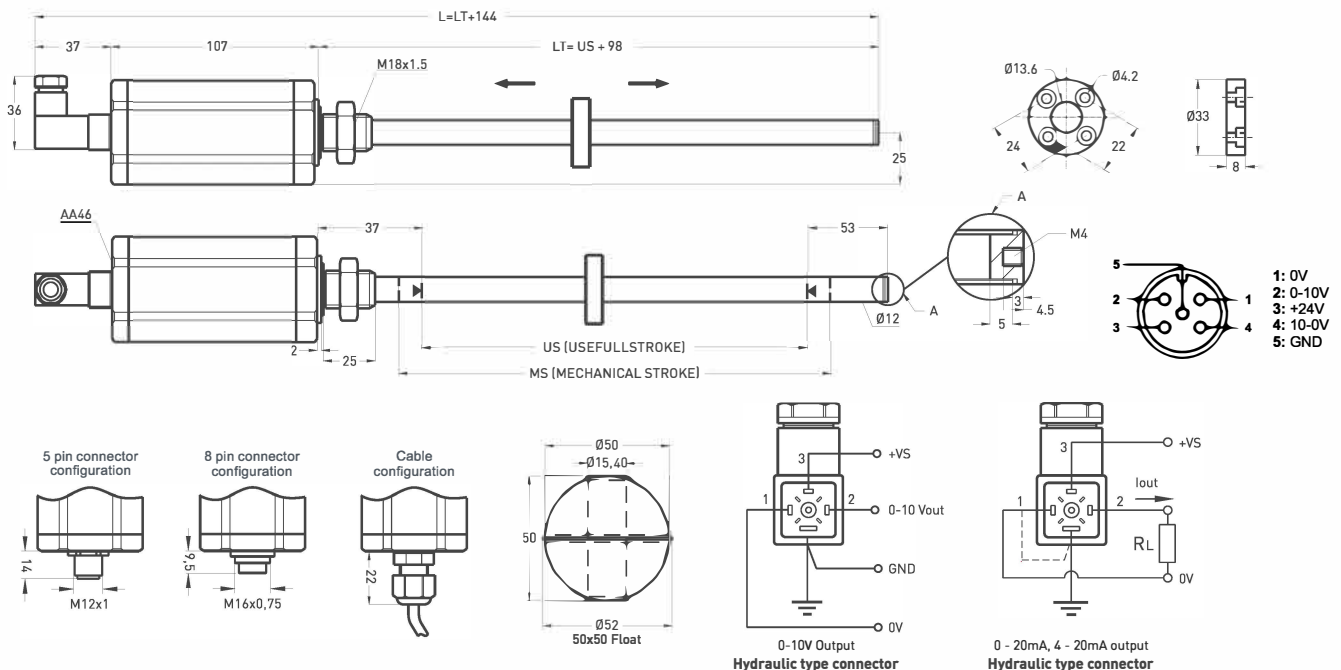
Magnetostrictive Position Sensor

- Measuring range 100 - 5000 mm
- 16 bit resolution
- Output 0...10V, 0...20mA, 4...20mA
10...0V, 20...0mA, 20-4mA
0...10V - 10...0V, 4...20mA - 20...4mA
0...20mA - 20...0mA
- 24 VDC power supply



Technical specifications

Measurement stroke	100 to 5000 mm
Resolution	16 bit DAC output
Repeatability	±0,005% (full scale)
Output	0-10 V, 4-20 mA, 0-20 mA / 10-0 V, 20-4 mA, 20-0 mA 0-10V - 10-0V / 4-20mA - 20-4mA / 0-20mA - 20-0mA
Power supply	24 VDC ±10%
Displacement speed	< 10 m/s
Sampling rate	up to 2 kHz (depending on stroke length)
Max. consumption	50 mA - 90 mA (depending on stroke length)
Max. output noise	< 5 mVpp
Max. output value	10.5 V
Linearity	±0,02% full scale (min. 100 µm)
Update time	0,5 ms up to 1000 mm / 0,8 ms up to 4000 mm
Reverse polarity protection	Up to -30 VDC
Overvoltage protection	Up to 28 VDC
Pressure rating	< 500 bar
Mounting	M18 x 1.5
Housing material	Profile: Anodized aluminium, Tube: Stainless steel, Caps: Stainless steel
IP protection	IP 65



MST (mm)	100	150	200	250	300	350	400	450	500	550	600	650	700	750	800	850	900	1000	1100	1200	1300	1400	1500	1750	2000	2250	2500	3000	4000	5000
US (Useful Stroke)	108	158	208	258	308	358	408	458	508	558	608	658	708	758	808	858	908	1008	1108	1208	1308	1408	1508	1758	2008	2258	2508	3008	4008	5008
MS (Mechanical Stroke)	128	178	228	278	328	378	428	478	528	578	628	678	728	778	828	878	928	1028	1128	1228	1328	1428	1528	1778	2028	2278	2528	3028	4028	5028
LT	198	248	298	348	398	448	498	548	598	648	698	748	798	848	898	948	998	1098	1198	1298	1398	1498	1598	1848	2098	2348	2598	3098	4098	5098
L (Total Length)	342	392	442	492	542	592	642	692	742	792	842	892	942	992	1042	1092	1142	1242	1342	1442	1542	1642	1742	2192	2242	2492	2742	3242	4242	5242

Model	Measurement stroke	Resolution	Cursor	Output	Connector / Cable	Dead zone
MST	900	A	1C	V10	C2	37/53
MST	100 ... 5000 mm	A: 16 bit	1C: 1 cursor 2C: 2 cursor F03: Ø50 float	V10: 0 - 10 V V01: 10 - 0 V I40 : 4 - 20 mA I20 : 0 - 20 mA I04 : 20 - 4 mA V11: 0 - 10 V / 10 - 0 V I41 : 4 - 20 mA / 20 - 4 mA I21 : 0 - 20 mA / 20 - 0 mA	C2 : 4 pin connector C5 : 5 pin connector [M12x1] C8 : 8 pin connector 1M : 1 meter cable	37/53 47/53 57/53 67/53 77/53